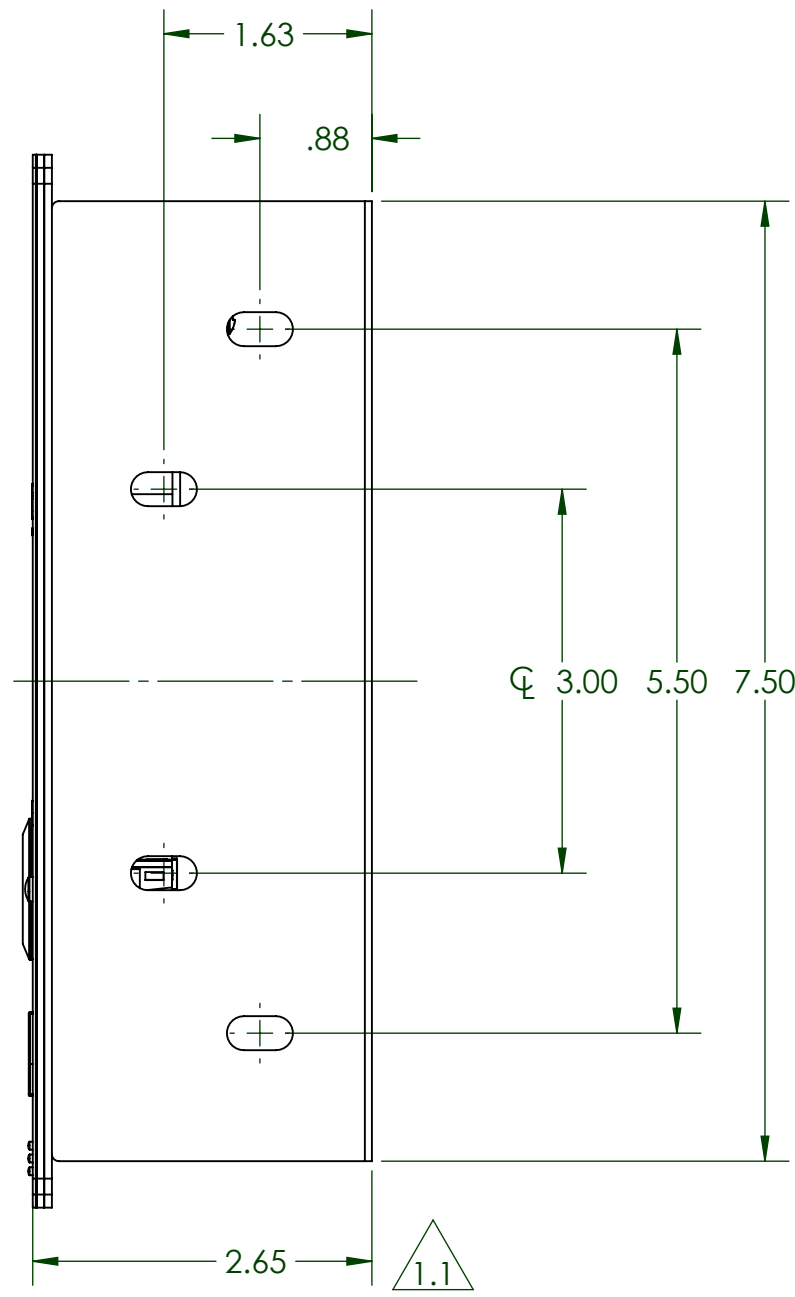
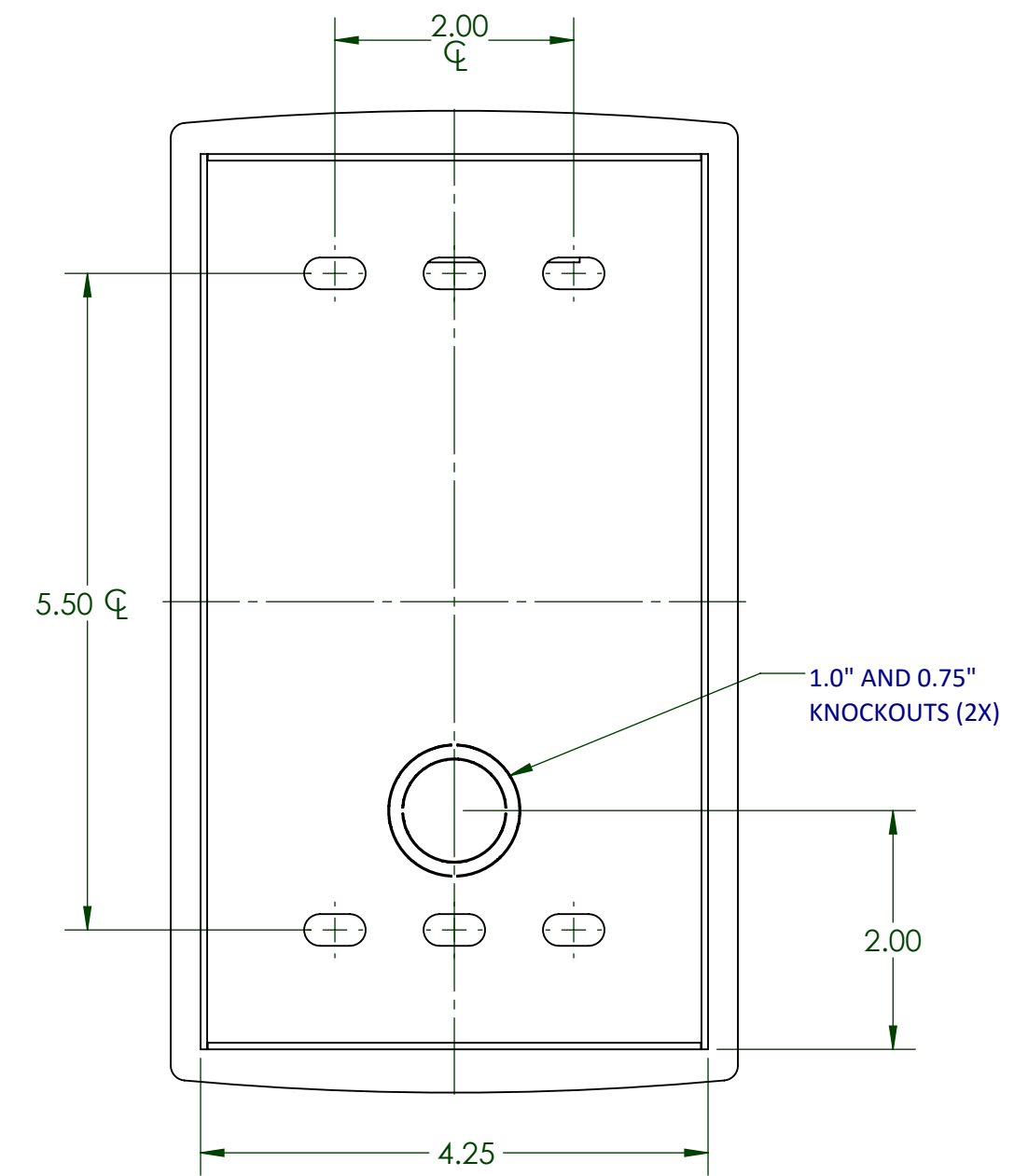


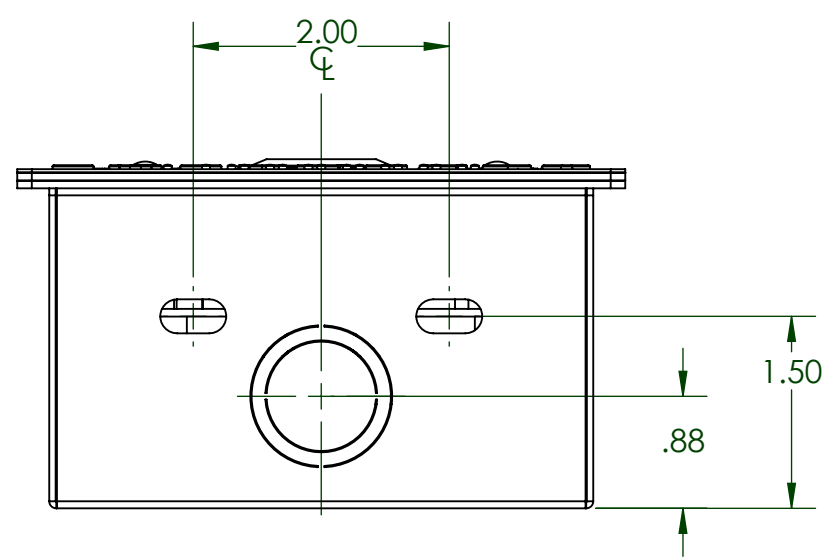
FRONT VIEW



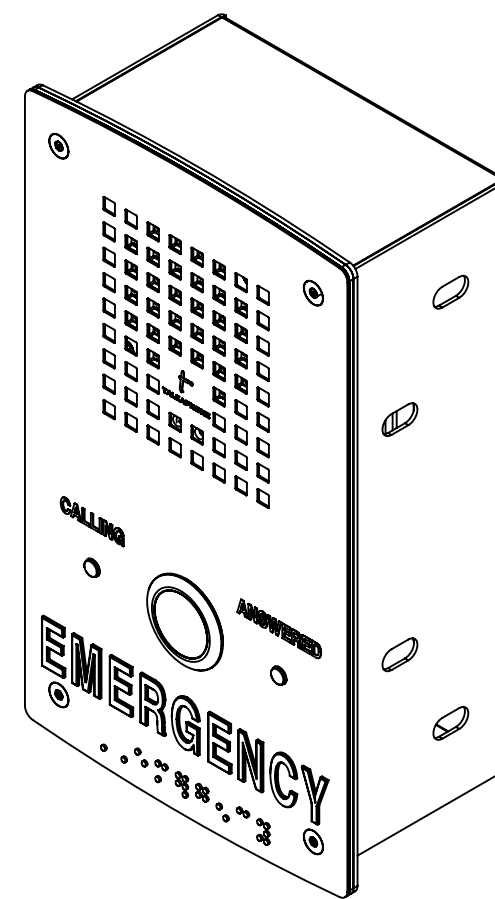
SIDE VIEW



REAR VIEW



BOTTOM VIEW



ISOMETRIC VIEW

1.1	CHAGED DEPTH OF BACK BOX	4/4/2017	M OBAL
1.0	MARKETING RELEASE RELEASE	03/20/2017	M OBAL
REV.	DESCRIPTION	DATE	APPROVED

REVISIONS

	NAME	DATE
DRAWN	M OBAL	03/20/2017
CHECKED		
ENG APPR.		
MFG APPR.		
Q.A.		
COMMENTS:		

**TALKAPHONE**  
TALK-A-PHONE CO.  
7530 N. NATCHEZ AVE. NILES, IL 60714  
WWW.TALKAPHONE.COM

DWG. NO.  
03/20/2017

SIZE	PART NO.	ETP-110E	REV
<b>C</b>	DWG. TITLE:	ETP-110E_FM-110	<b>1.1</b>

SCALE: 1:2 WEIGHT: SHEET 2 OF 2

FINISH  
PROPRIETARY AND CONFIDENTIAL  
THE INFORMATION CONTAINED IN THIS  
DRAWING IS THE SOLE PROPERTY OF  
TALK-A-PHONE COMPANY. ANY  
REPRODUCTION IN PART OR AS A WHOLE  
WITHOUT THE WRITTEN PERMISSION OF  
TALK-A-PHONE COMPANY IS PROHIBITED.