



TALKAPHONE

AC-WM SERIES

# VIA™ ACCESS & ENTRY WALL MOUNT



THE VIA™ ACCESS AND ENTRY WALL MOUNT IS A CONNECTION POINT BETWEEN YOU AND THE WORLD - SIMPLY CONNECT AND COMMUNICATE. THIS STYLIZED PEDESTAL IS AVAILABLE WITH OPTIONAL FEATURES AND INCLUDES A BLUE LED LIGHT BAND.

## FEATURES

- Includes a VOIP-200 Series Compact IP Call Station
- This stylized wall mount is available with up to two feature options: card reader and push plate
- Blue LED light band turns green to indicate when call station is activated
- 16 GA, steel construction
- 12 GA, 316 stainless steel front panels
- Vandal-resistant with coating designed to resist extreme weather conditions
- ADA-compliant

GENERAL SPECIFICATIONS	AC-WM SERIES
Construction:	Wall Mount: 16GA (0.06") steel Front Panels: 12GA (0.105") 316 stainless steel Wall mount is rated NEMA 3R Call station is rated IP66
Dimensions (W x H x D):	9.12 x 30 x 4.03 in. (231.6 x 762 x 102.3 mm)
Weight:	20 lbs. (9.1 kg)
Colors:	Black with stainless steel front panels is standard. Custom paint colors available.
Lighting:	LED Light Band: Available with an always-lit blue LED light band that flashes from standard blue to green, when the call station is activated
Mounting:	Mounts to wall
Power:	24VDC (110VAC supported with optional power supply)

ACCESSORY OPTIONS



AVM-1  
IP Video Attendee Station



Touchless Push Plate Switch



Card Reader



Card Reader with Keypad



Push Plate Switch



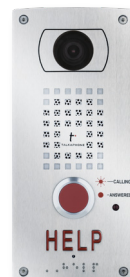
VOIP-200C



VOIP-200C3





VOIP-200H



VOIP-200H3

ORDERING INFORMATION

Base Model	Mount Type	Configuration Number	VOIP-200 Series Model	Card Reader Type	Touchless Push Plate	LED Light Band
AC-	WM- Wall Mount	1 Call station only 2 Call station with card reader 3 Call station with push plate 4 Call station with card reader and push plate	C Includes VOIP-200C C3 Includes VOIP-200C3 H Includes VOIP-200H H3 Includes VOIP-200H3	-K With keypad  *Leave blank for no keypad	-TL With touchless push plate  *Leave blank for no touchless push plate	-FLB Optional flashing Blue LED light band with customizable brightness  *Leave blank for blue-to-green non-flashing LED light band
Example: AC-WM-1C3						
AC-	WM-	1	C3			

	VIA™ Series Card Reader	VIA™ Series Card Reader with Keypad
		
HID Part Number	900PTNNEK00000	921PTNNEK00000
HID Base Model	RP10	RPK40
Communications Interface	Wiegand	Wiegand
125 kHz Credential Compatibility (multiCLASS only)	HID Prox, AWID, EM4102	
13.56 MHz Credential Compatibility	iCLASS, iCLASS SE, iCLASS Seos, MIFARE Classic (CSN), MIFARE DESFire EV1 (CSN)	
Panel Connection	Pigtail - 18" (0.45m)	Pigtail - 18" (0.45m)
Keypad Output	-	8-bit burst

#### TERMS OF USE AND LIMITED WARRANTY

Talk-A-Phone, LLC warrants Talk-A-Phone Emergency Phone, Call Station, Wide-Area Emergency Broadcast System, and Area of Rescue equipment against any defects in material and workmanship, under normal use, for a period of twenty-four (24) months from date of installation, provided that Talk-A-Phone receives a completed "Installation Certification" certifying the date on which the system has been installed. An "Installation Certification" card is enclosed with every unit. In the event that no "Installation Certification" is received by Talk-A-Phone, the twenty-four (24) months will commence on the date of shipment by Talk-A-Phone. Warranty period for the metal elements of models in the GP Series Pedestals, MT Series Towers, MTE Series Towers, MT/R Series Towers, PM Series Pedestals, SM Series Surface Mounts, VIA™ Series Mounts, and WM Series Wall Mounts is five (5) years, under the same terms and conditions. Warranty period for Intercommunication Products is twelve (12) months, under the same terms and conditions.

THIS WARRANTY GIVES YOU SPECIFIC LEGAL RIGHTS AND YOU MAY ALSO HAVE OTHER RIGHTS WHICH VARY FROM STATE TO STATE.

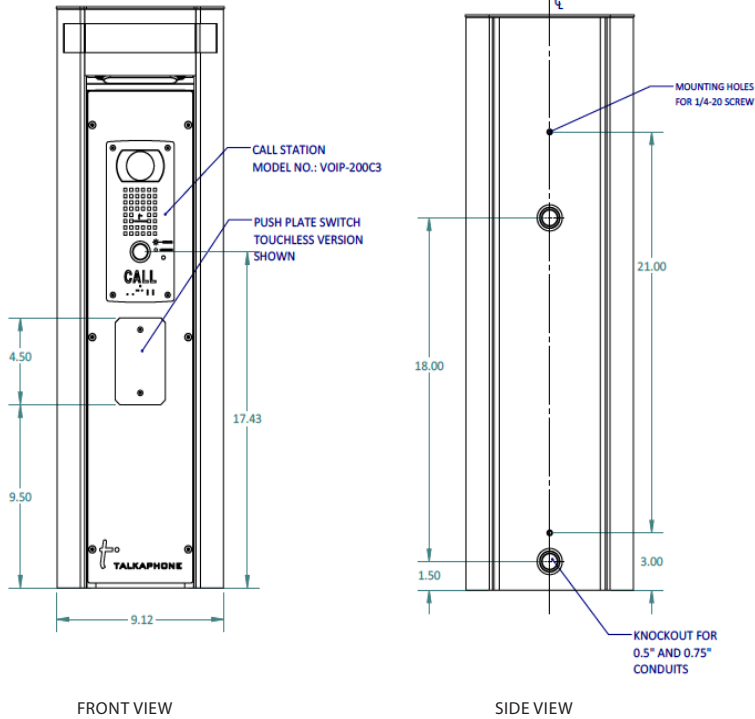
Copyright 2019 Talk-A-Phone, LLC

All Rights Reserved

Rev. 1.1 08/30/18

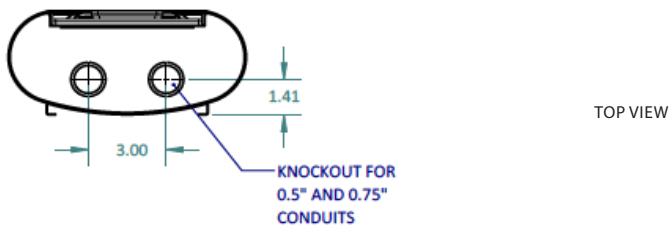
## DIMENSIONAL DIAGRAMS

All dimensions are in inches and are provided for reference only.



FRONT VIEW

SIDE VIEW



TOP VIEW

## ACCESSORIES:

IP Video Attendant Station:

Model: AVM-1:

- Displays video from IP call station with IP camera for monitoring access to facilities.
- Multiple call stations can be connected to multiple master stations to create a robust access control system. AVM-1 can support up to 30 call stations.



TALKAPHONE

THE LEADERS IN SECURITY AND LIFE SAFETY COMMUNICATIONS

7530 North Natchez Avenue  
Niles, Illinois 60714

Tel: 773-539-1100  
Email: [info@talkaphone.com](mailto:info@talkaphone.com)  
Web: [www.talkaphone.com](http://www.talkaphone.com)