

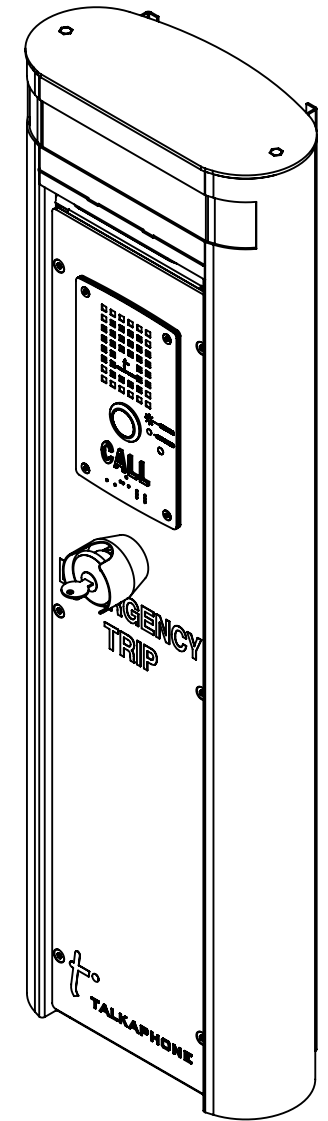
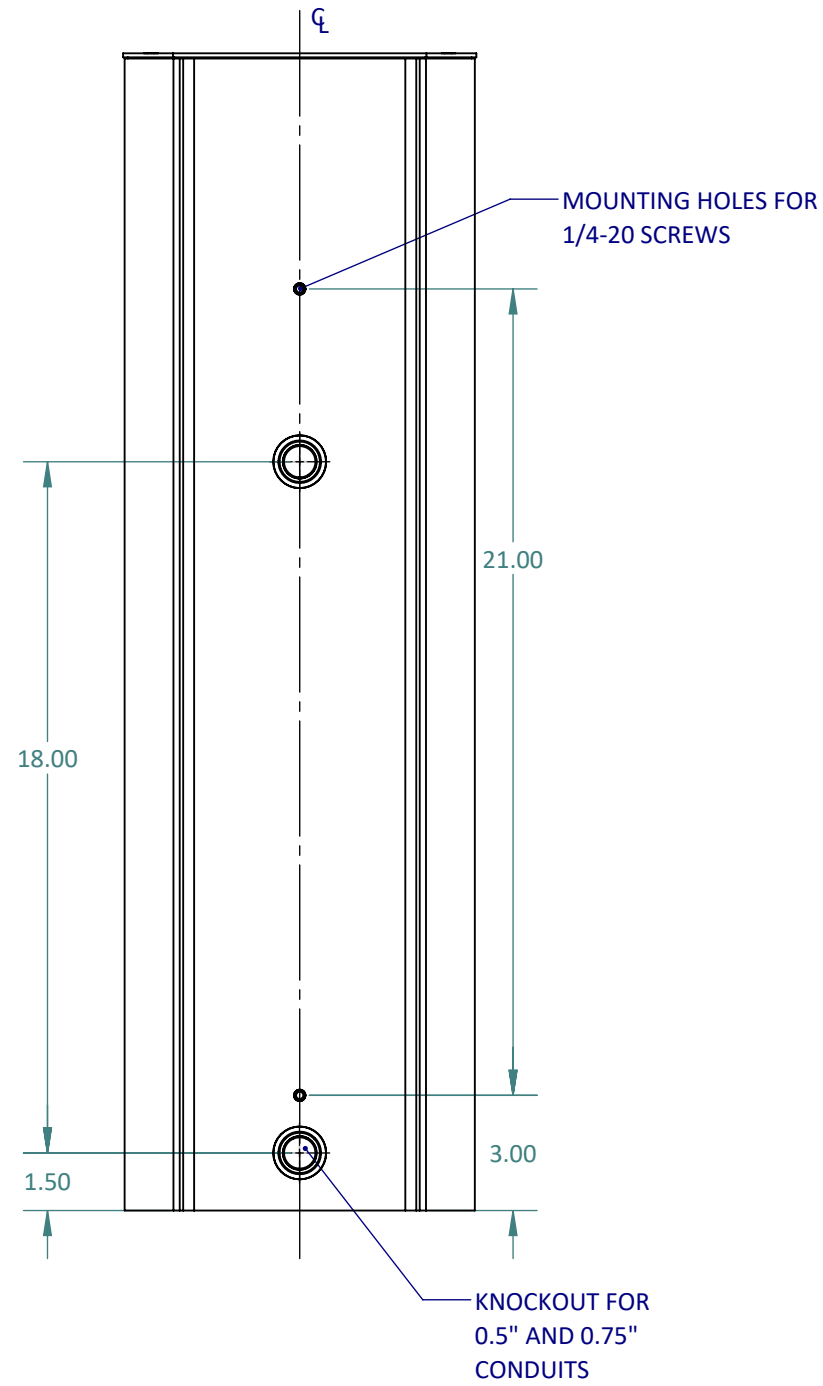
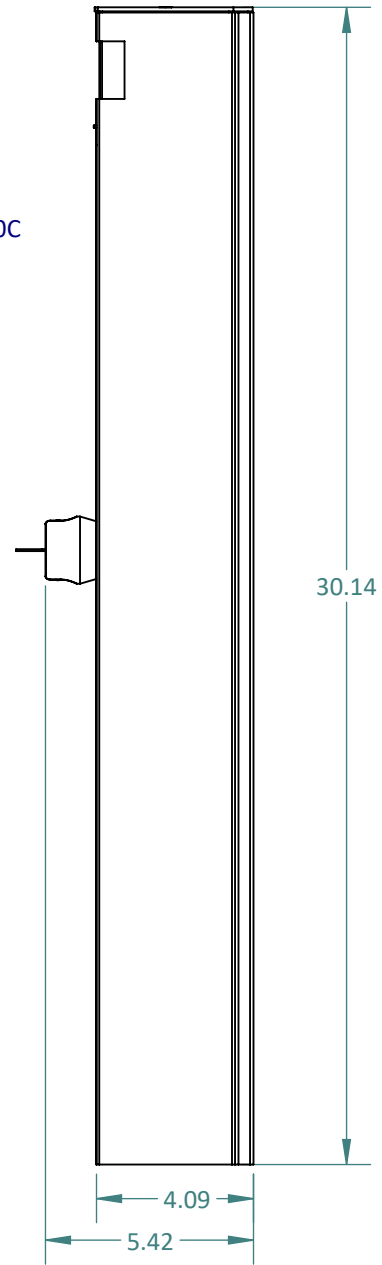
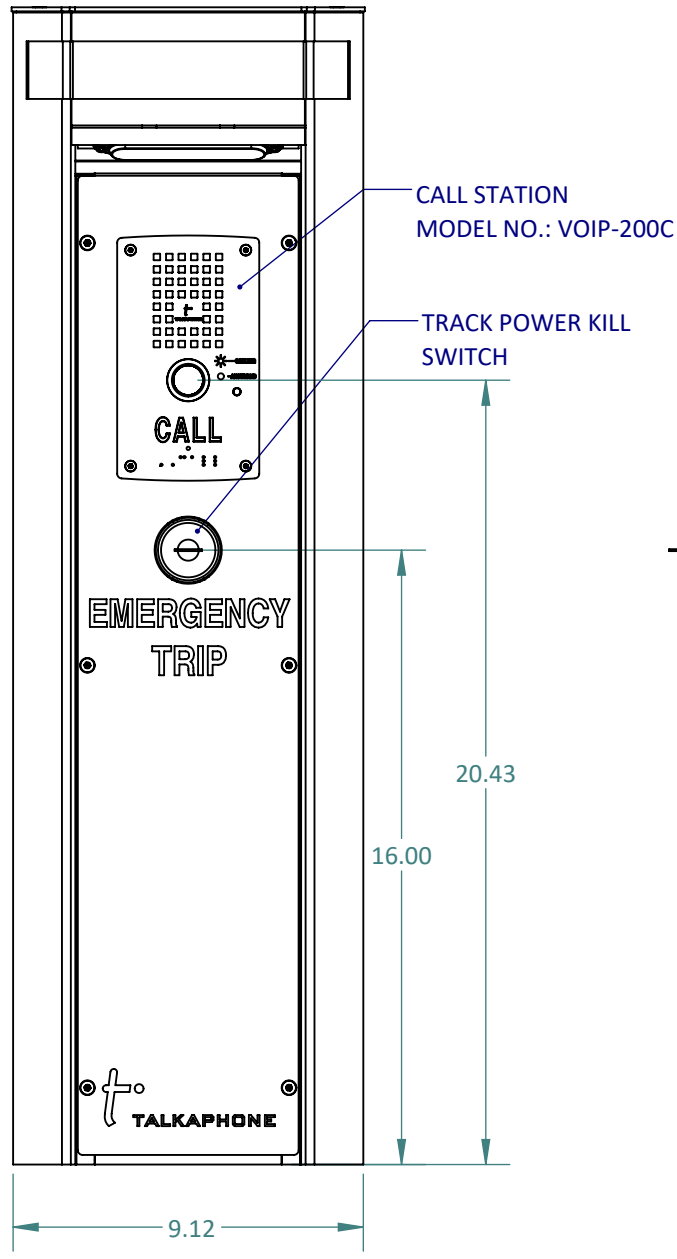
GENERAL NOTES:

D

C

B

A

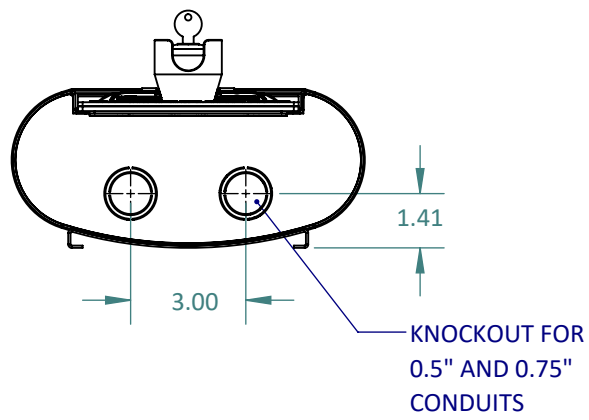


D

C

B

A



1.0	03/12/2018	PRELIMINARY RELEASE	K PATEL
REV.	DATE	DESCRIPTION	APPROVED
REVISION TABLE			
UNLESS OTHERWISE SPECIFIED:			
DIMENSIONS ARE IN INCHES		NAME	DATE
TOLERANCES:		DRAWN	K PATEL 03/12/2018
DRILL HOLE -0.00 / +0.003		CHECKED	
ANGULAR: MACH ± BEND ±1°		ENG APPR.	
TWO PLACE DECIMAL ±0.01		MFG APPR.	
THREE PLACE DECIMAL ±0.005		Q.A.	
INTERPRET GEOMETRIC TOLERANCING PER: ASME Y14.5M-1994		COMMENTS:	
MATERIAL			
FINISH			
MODEL FILE NAME:			
PEDESTAL_ACCESS_SERIES_ASSY		DWG. TITLE: VIA SERIES	
SIZE	PART NO.	REV	
B	AC-WM-6C	1.0	
	DWG. NO.	SCALE: 1:12	WEIGHT:
		SHEET 1 OF 1	

DO NOT SCALE DRAWING
PROPRIETARY AND CONFIDENTIAL
 THE INFORMATION CONTAINED IN THIS DRAWING IS THE SOLE PROPERTY OF TALK-A-PHONE COMPANY. ANY REPRODUCTION IN PART OR AS A WHOLE WITHOUT THE WRITTEN PERMISSION OF TALK-A-PHONE COMPANY IS PROHIBITED.

t
 TALKAPHONE
 TALK-A-PHONE CO.
 7530 N. NATCHEZ AVE. NILES, IL 60714
 WWW.TALKAPHONE.COM

8

7

6

5

4

3

2

1