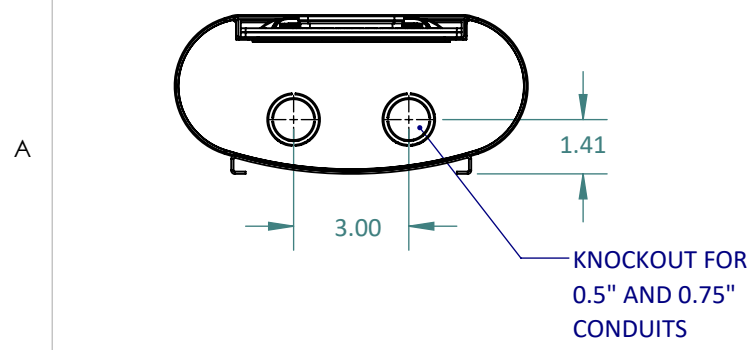
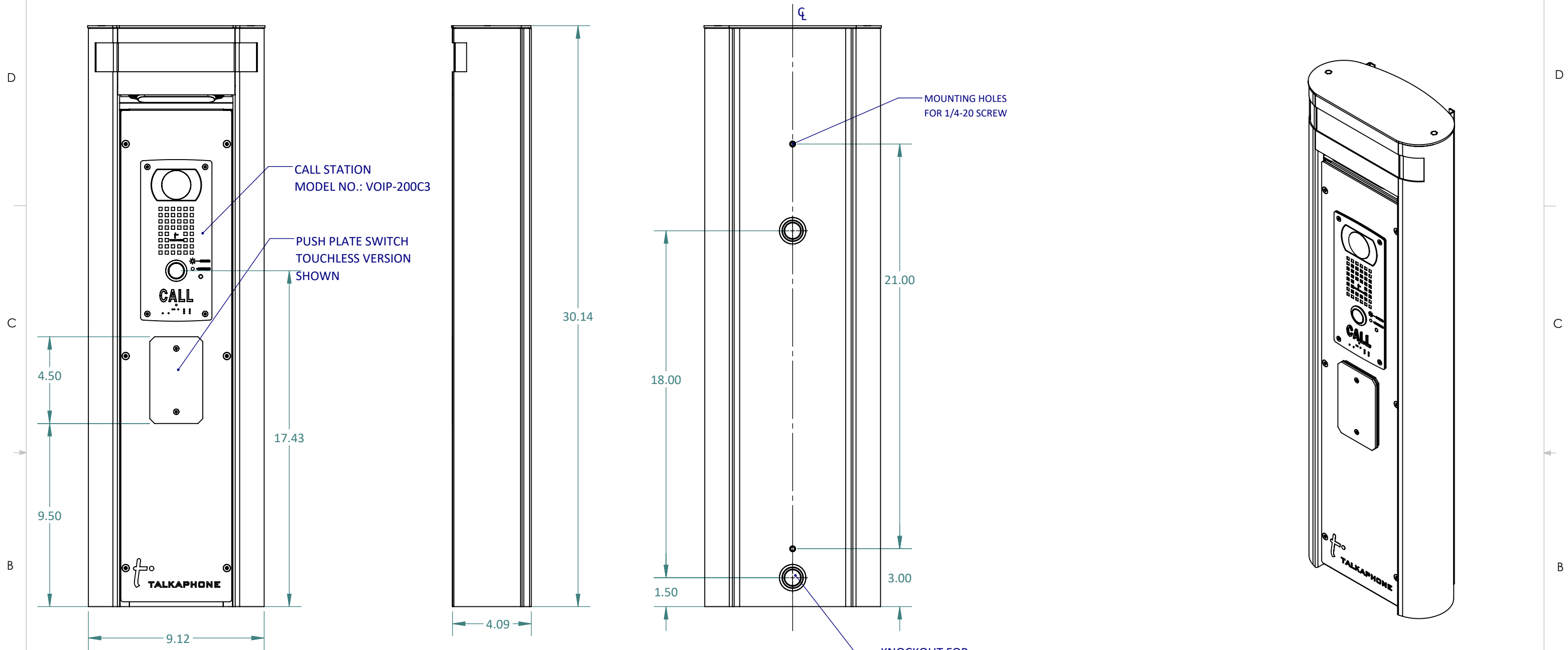


GENERAL NOTES:



DO NOT SCALE DRAWING
PROPRIETARY AND CONFIDENTIAL
 THE INFORMATION CONTAINED IN THIS DRAWING IS THE SOLE PROPERTY OF TALK-A-PHONE COMPANY. ANY REPRODUCTION IN PART OR AS A WHOLE WITHOUT THE WRITTEN PERMISSION OF TALK-A-PHONE COMPANY IS PROHIBITED.

| 1.0 | 03/12/2018 | PRELIMINARY RELEASE | K PATEL |
|---|------------|--|------------|
| REV. | DATE | DESCRIPTION | APPROVED |
| REVISION TABLE | | | |
| UNLESS OTHERWISE SPECIFIED: | | | |
| DIMENSIONS ARE IN INCHES | | NAME | DATE |
| TOLERANCES: | | K PATEL | 03/12/2018 |
| DRILL HOLE -0.00 / +0.003 | DRAWN | | |
| ANGULAR: MACH ± BEND ±1° | CHECKED | | |
| TWO PLACE DECIMAL ±0.01 | ENG APPR. | | |
| THREE PLACE DECIMAL ±0.005 | MFG APPR. | | |
| INTERPRET GEOMETRIC TOLERANCING PER: ASME Y14.5M-1994 | Q.A. | | |
| MATERIAL | COMMENTS: | | |
| FINISH | | | |
| MODEL FILE NAME: | | | |
| PEDESTAL_ACCESS_SERIES_ASSY | | | |
| DWG. TITLE: | | TALK-A-PHONE CO. 7530 N. NATCHEZ AVE. NILES, IL 60714 WWW.TALKAPHONE.COM | |
| VIA SERIES | | DWG. NO. | |
| SIZE | PART NO. | REV | |
| B | AC-WM-3C3 | 1.0 | |
| | DWG. NO. | | |
| SCALE: 1:12 | WEIGHT: | SHEET 1 OF 1 | |