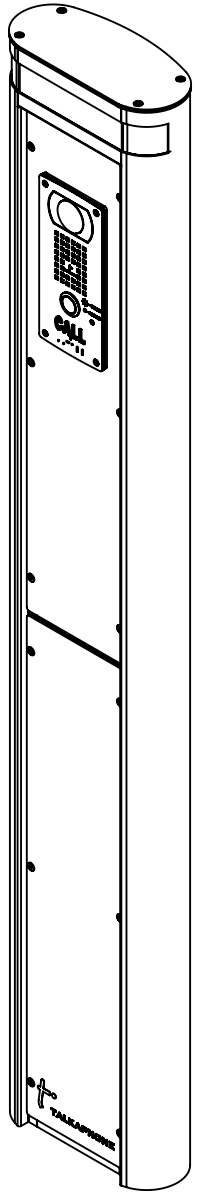
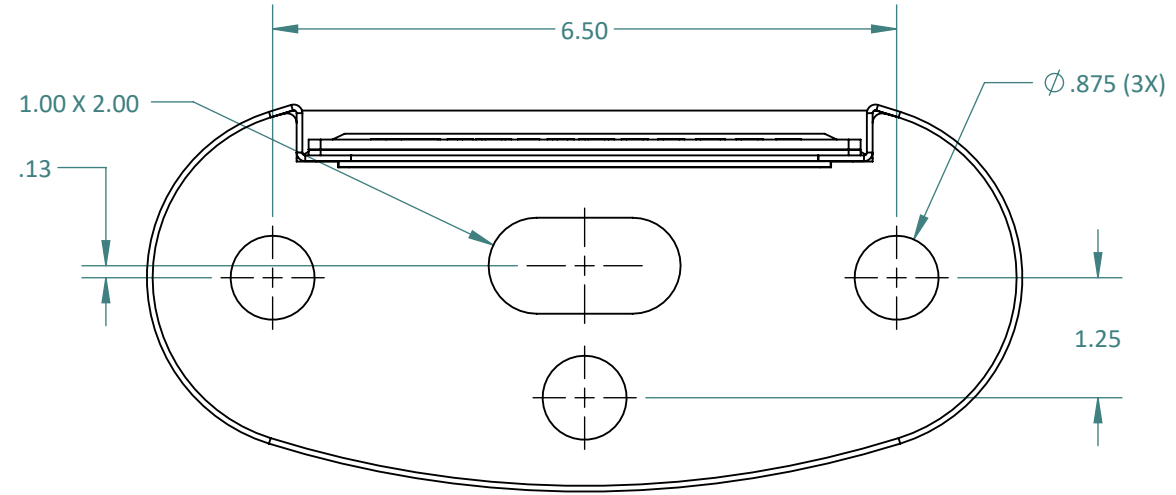
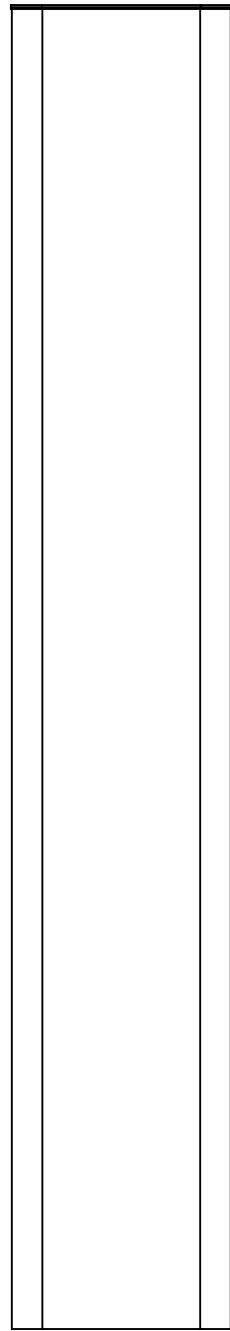
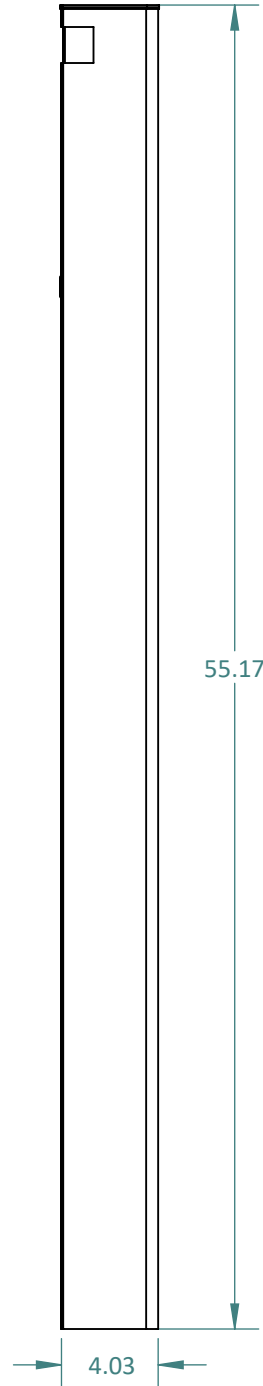
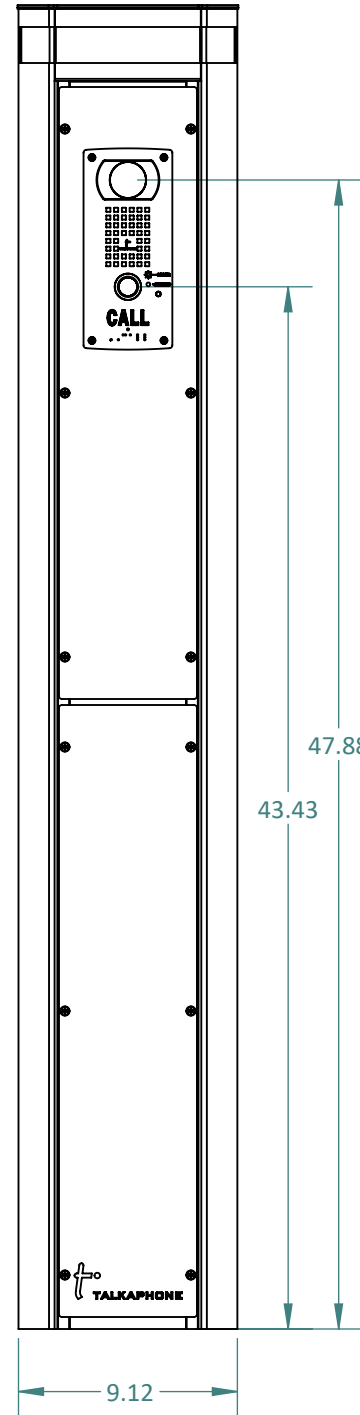


GENERAL NOTES:

D  
C  
B  
A



D  
C  
B  
A

8 7 6 5 4 3 2 1

DO NOT SCALE DRAWING  
**PROPRIETARY AND CONFIDENTIAL**  
 THE INFORMATION CONTAINED IN THIS DRAWING IS THE SOLE PROPERTY OF TALK-A-PHONE COMPANY. ANY REPRODUCTION IN PART OR AS A WHOLE WITHOUT THE WRITTEN PERMISSION OF TALK-A-PHONE COMPANY IS PROHIBITED.

0.1	03/20/2017	PRELIMINARY RELEASE	K PATEL
REV.	DATE	DESCRIPTION	APPROVED
REVISION TABLE			
UNLESS OTHERWISE SPECIFIED:			
DIMENSIONS ARE IN INCHES		NAME	DATE
TOLERANCES:		K PATEL	03/03/2017
DRILL HOLE -0.00 / +0.003	DRAWN		
ANGULAR: MACH ± BEND ±1°	CHECKED		
TWO PLACE DECIMAL ±0.01	ENG APPR.		
THREE PLACE DECIMAL ±0.005	MFG APPR.		
INTERPRET GEOMETRIC TOLERANCING PER: ASME Y14.5M-1994	Q.A.		
MATERIAL	COMMENTS:		
FINISH			
MODEL FILE NAME:			
<b>PEDESTAL_ACCESS_SERIES_ASSY</b>			
DWG. TITLE:		 TALK-A-PHONE CO. 7530 N. NATCHEZ AVE. NILES, IL 60714 WWW.TALKAPHONE.COM	
<b>ACCESS PEDESTAL SERIES</b>		DWG. NO. <b>0.1</b> SCALE: 1:12 WEIGHT: SHEET 1 OF 1	
SIZE	PART NO.	REV	
<b>B</b>	AC-PM-1C3	<b>0.1</b>	
	DWG. NO.		