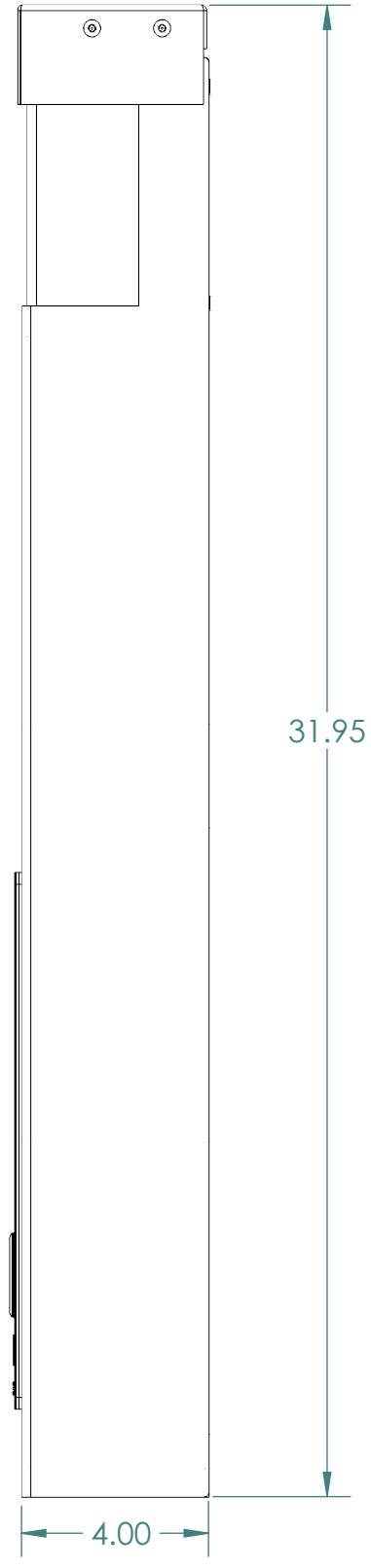
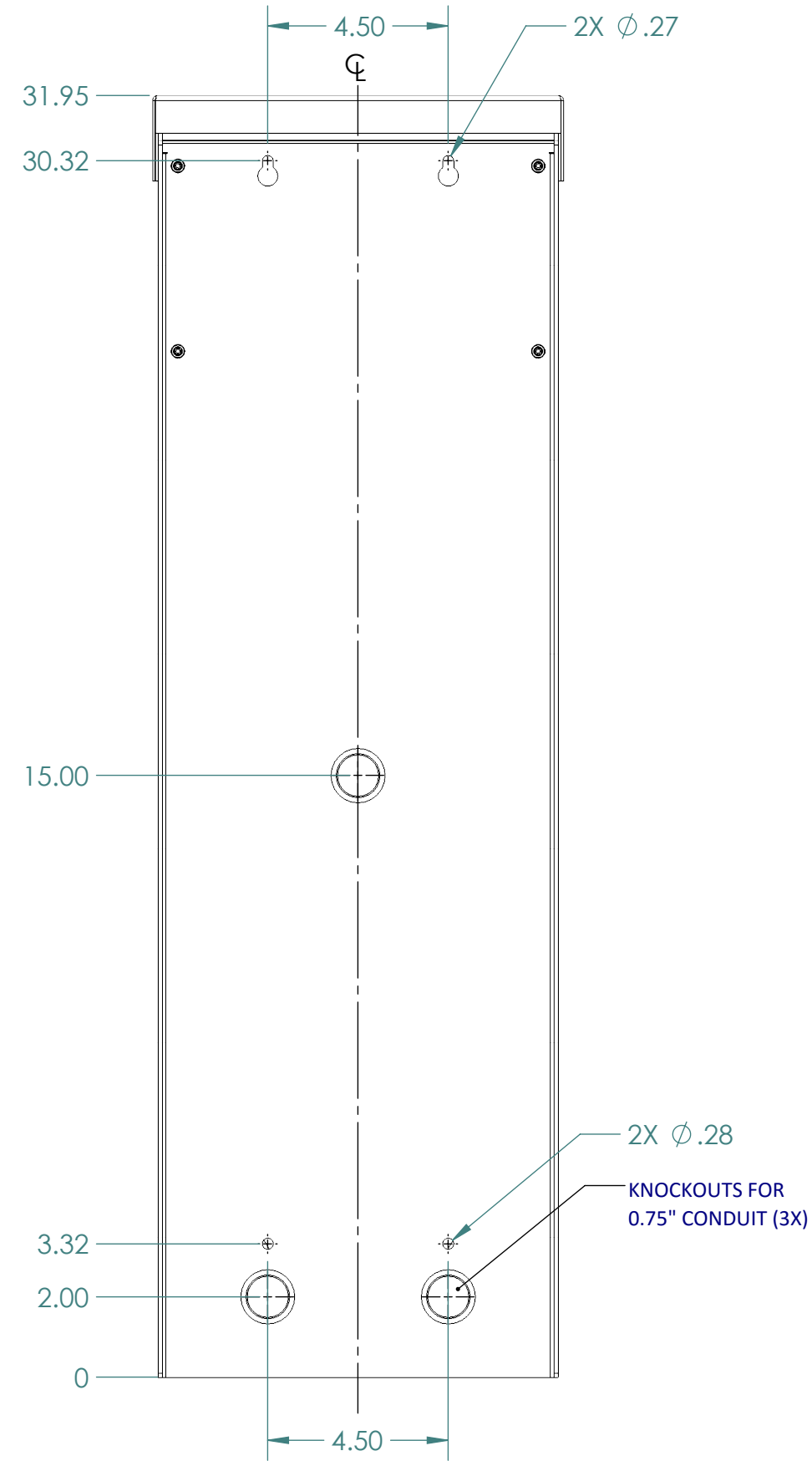


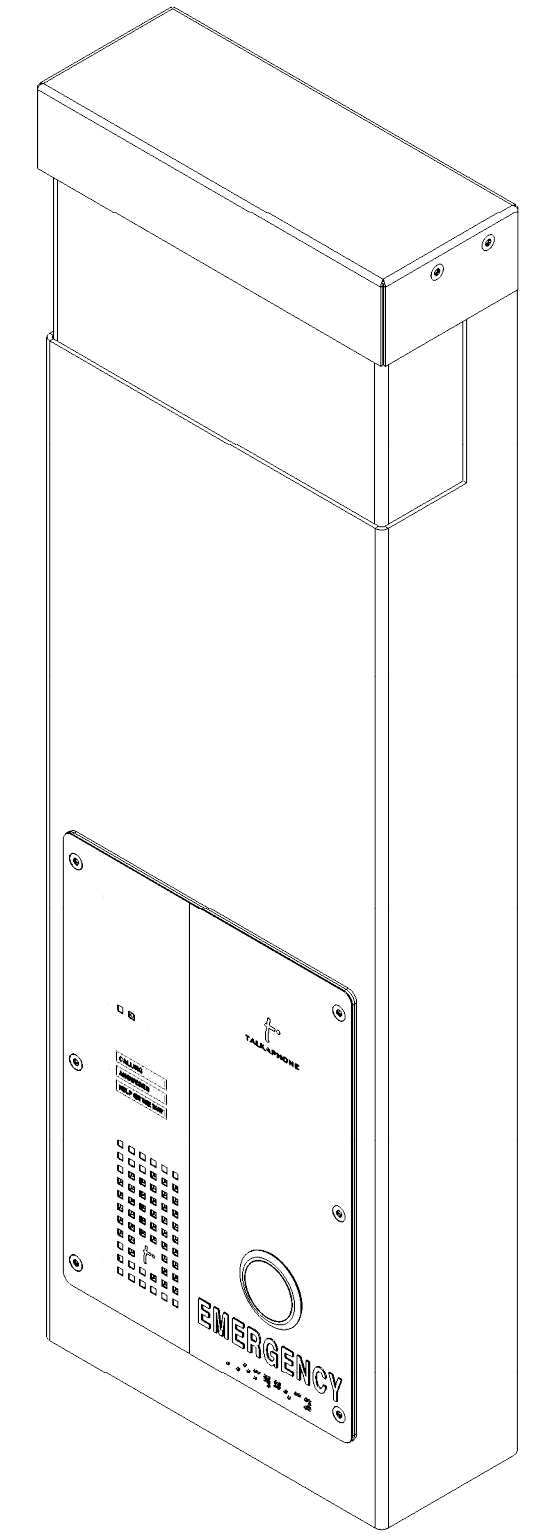
**FRONT VIEW**



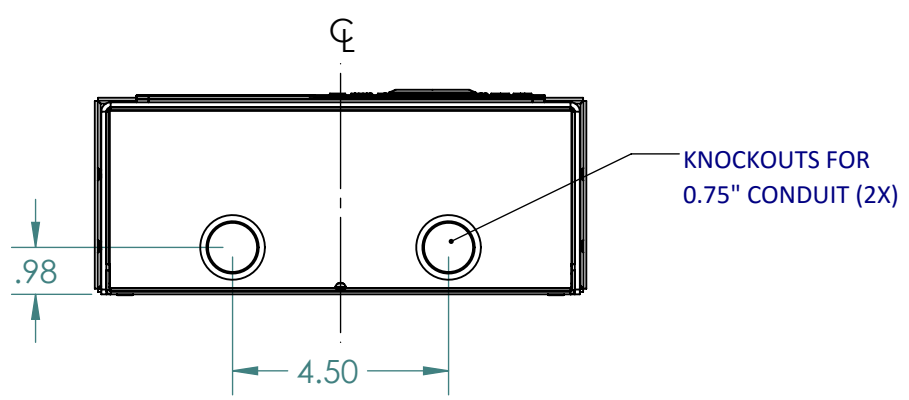
**SIDE VIEW**



**REAR VIEW**



**ISOMETRIC VIEW**



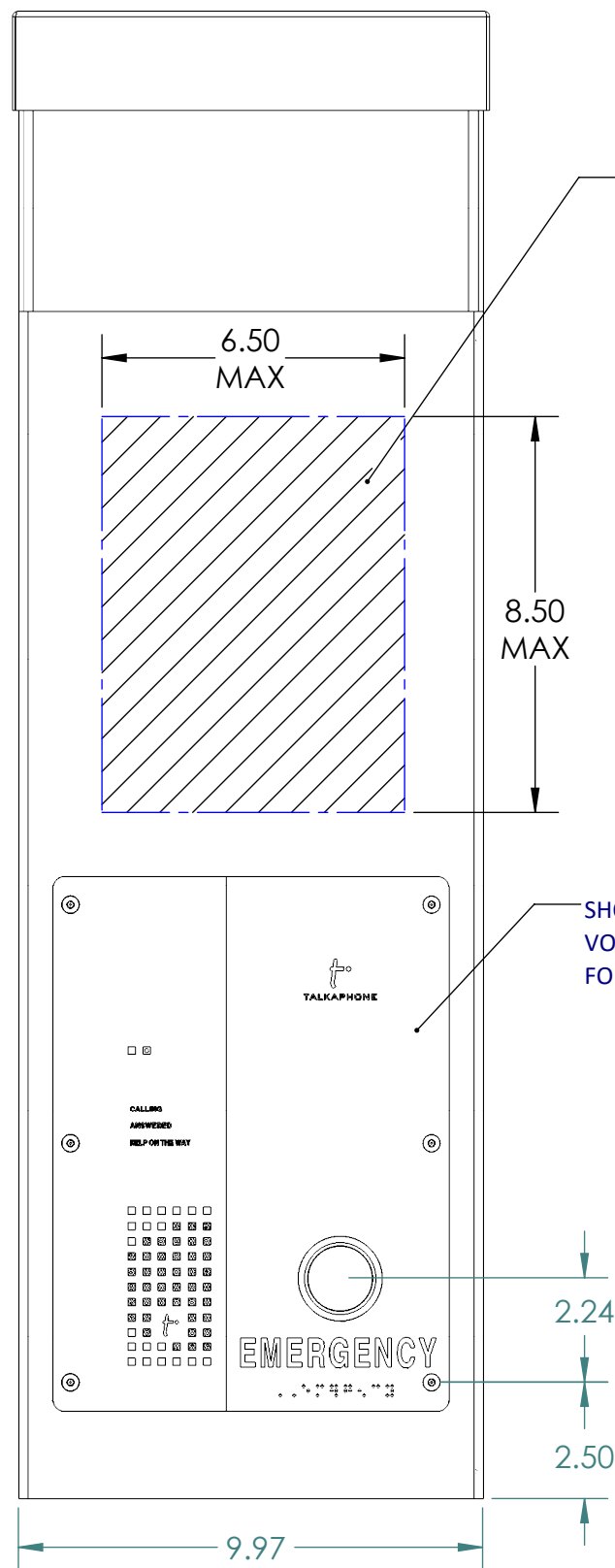
**BOTTOM VIEW**

FINISH  
 PROPRIETARY AND CONFIDENTIAL  
 THE INFORMATION CONTAINED IN THIS DRAWING IS THE SOLE PROPERTY OF TALK-A-PHONE COMPANY. ANY REPRODUCTION IN PART OR AS A WHOLE WITHOUT THE WRITTEN PERMISSION OF TALK-A-PHONE COMPANY IS PROHIBITED.

	NAME	DATE
DRAWN	M OBAL	6/15/2016
CHECKED		
ENG APPR.		
MFG APPR.		
Q.A.		
COMMENTS:		

**TALKAPHONE**  
 TALK-A-PHONE CO.  
 7530 N. NATCHEZ AVE. NILES, IL 60714  
 WWW.TALKAPHONE.COM

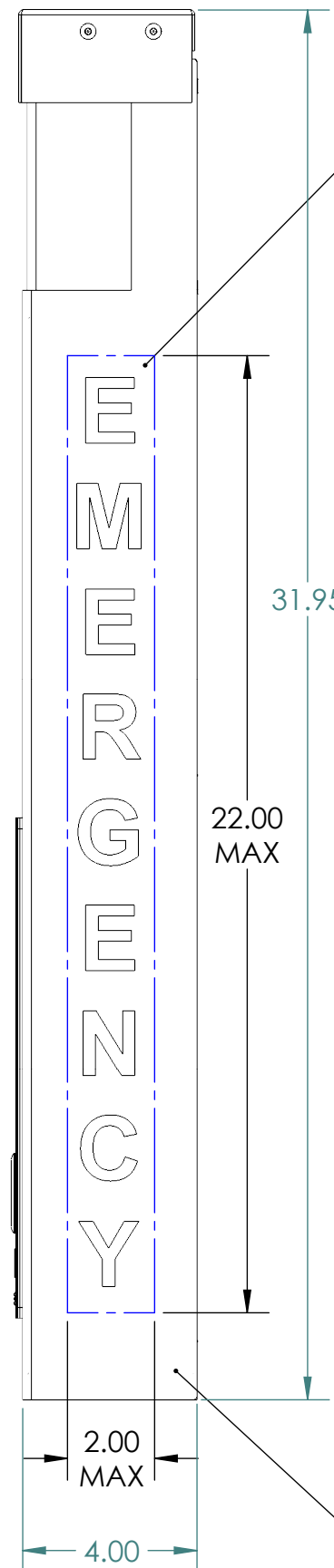
SIZE	PART NO.	ETP-WMSE	REV
<b>C</b>			<b>1.0</b>
SCALE: 1:8	WEIGHT:	SHEET 1 OF 2	



**FRONT VIEW**

**OPTIONAL SIGNAGE:**  
AVAILABLE AREA FOR  
CUSTOM GRAPHICS  
(NON-REFLECTIVE)  
AND/OR VERBIAGE  
(REFLECTIVE).

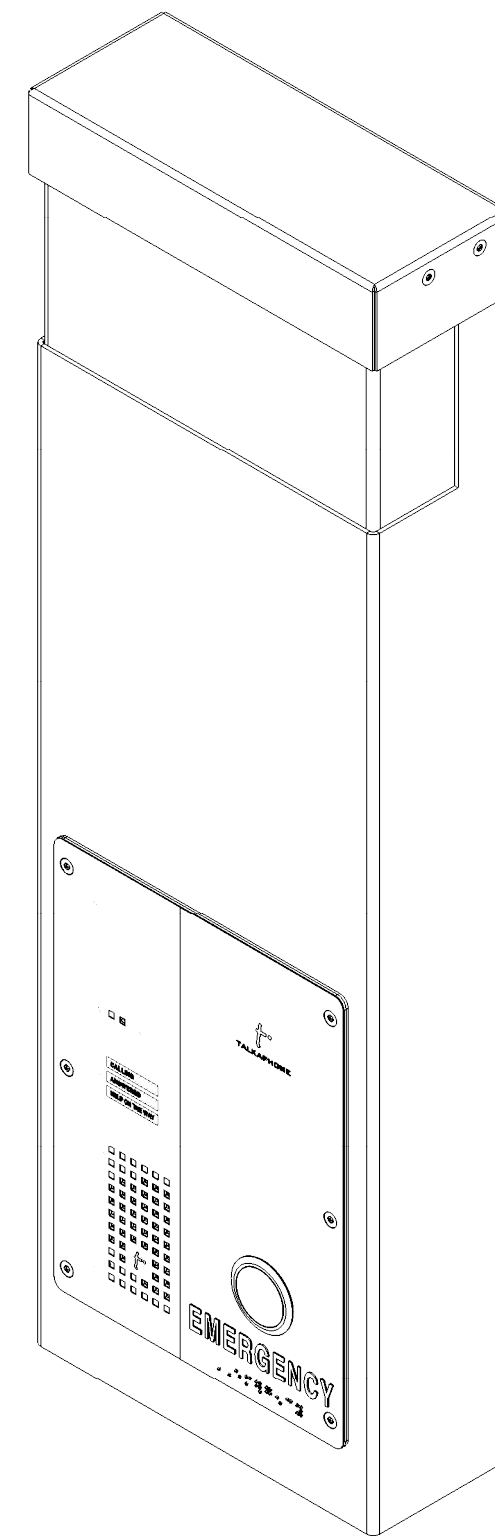
SHOWN WITH  
VOIP-600 SERIES CALL STATION  
FOR ILLUSTRATION PURPOSES ONLY




**SIDE VIEW**

**STANDARD SIGNAGE:**  
SIGNAGE ON TWO SIDES:  
2" HIGH REFLECTIVE RED "EMERGENCY"  
LETTERING WITH WIDE ANGLE  
VISIBILITY IS STANDARD  
ALSO AVAILABLE WITH  
"ASSISTANCE", "INFORMATION",  
OR CUSTOM LETTERING AND COLORS.

**STANDARD FINISH:**  
#4 VERTICAL BRUSHED STAINLESS STEEL  
**OPTIONAL FINISH:**  
AVAILABLE PAINTED IN CUSTOM COLORS



**ISOMETRIC VIEW**

1.0	MARKETING RELEASE	6/15/2016	M OBAL
REV.	DESCRIPTION	DATE	APPROVED
REVISIONS			
	NAME	DATE	
DRAWN	M OBAL	6/15/2016	
CHECKED			
ENG APPR.			
MFG APPR.			
Q.A.			
COMMENTS:			
 <b>TALKAPHONE</b> TALK-A-PHONE CO. 7530 N. NATCHEZ AVE. NILES, IL 60714 WWW.TALKAPHONE.COM			
SIZE	PART NO.	ETP-WMSE	REV
<b>C</b>	ETP-WMSE SERIES		<b>1.0</b>
SCALE: 1:8	WEIGHT:	SHEET 2 OF 2	

**FINISH**  
**PROPRIETARY AND CONFIDENTIAL**  
THE INFORMATION CONTAINED IN THIS  
DRAWING IS THE SOLE PROPERTY OF  
TALK-A-PHONE COMPANY. ANY  
REPRODUCTION IN PART OR AS A WHOLE  
WITHOUT THE WRITTEN PERMISSION OF  
TALK-A-PHONE COMPANY IS PROHIBITED.