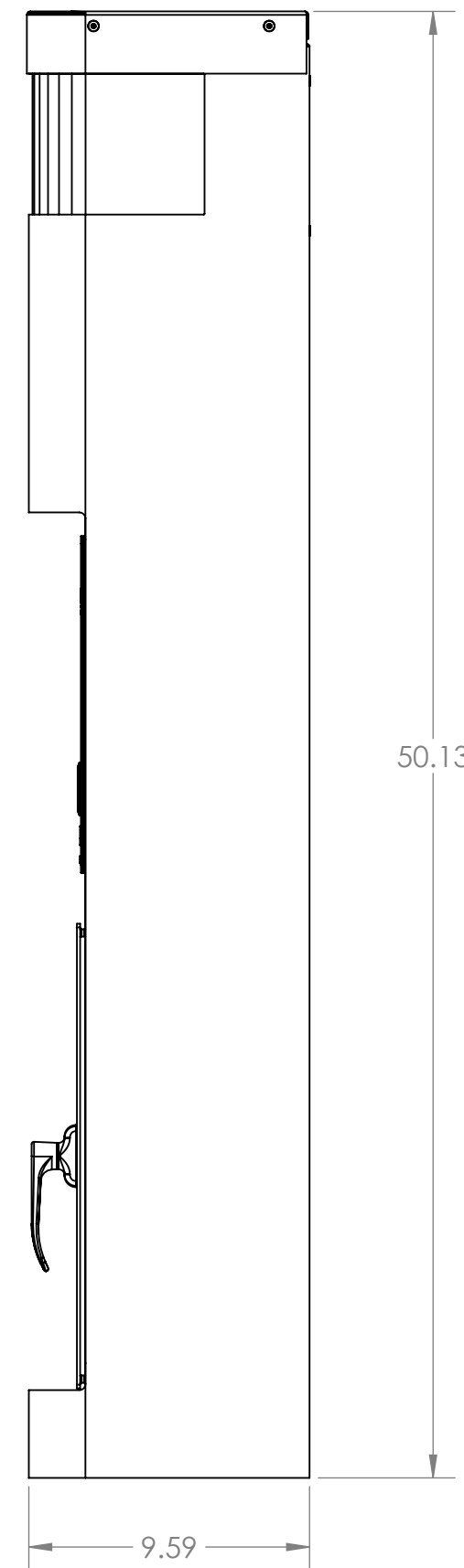
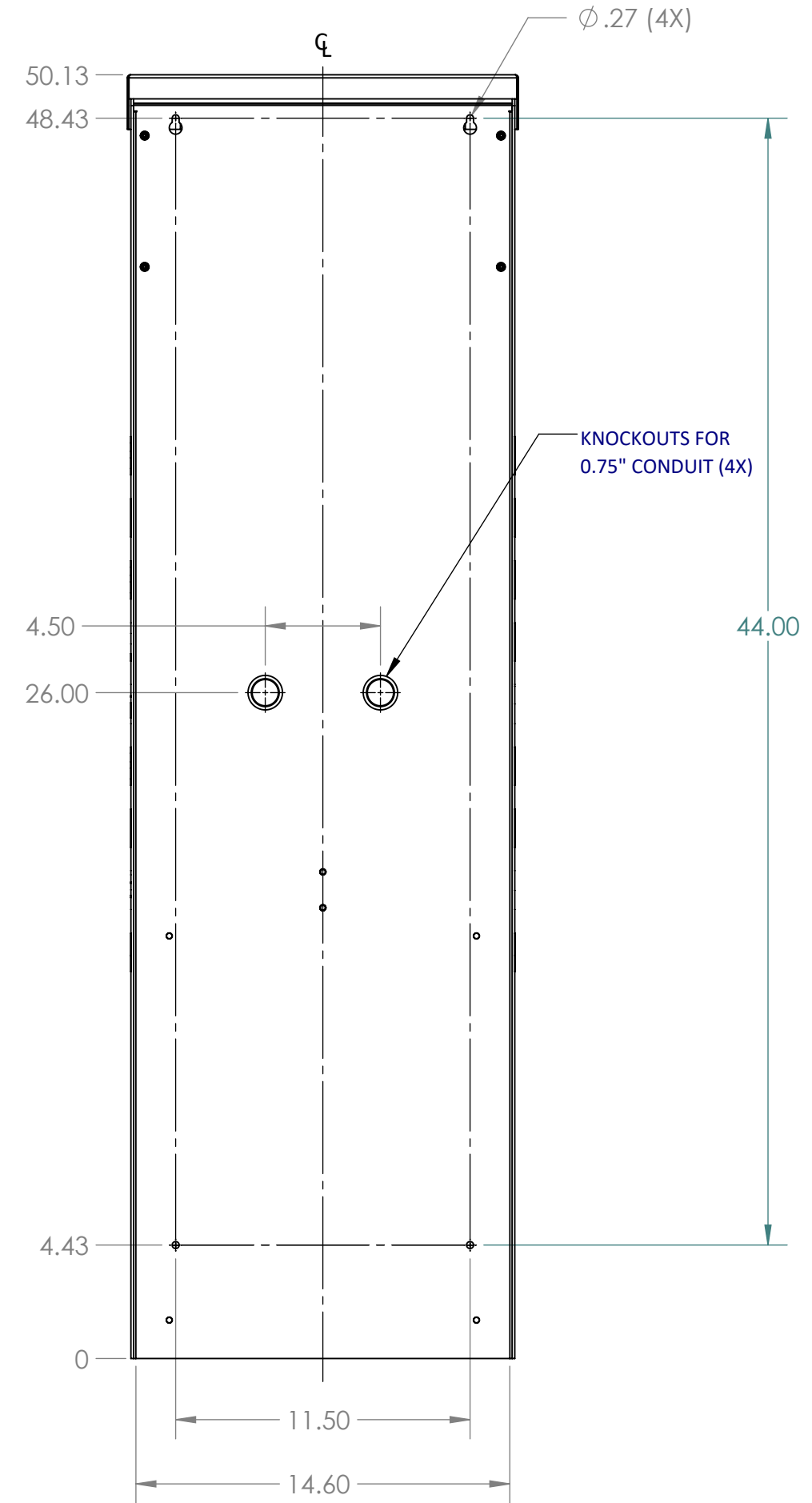


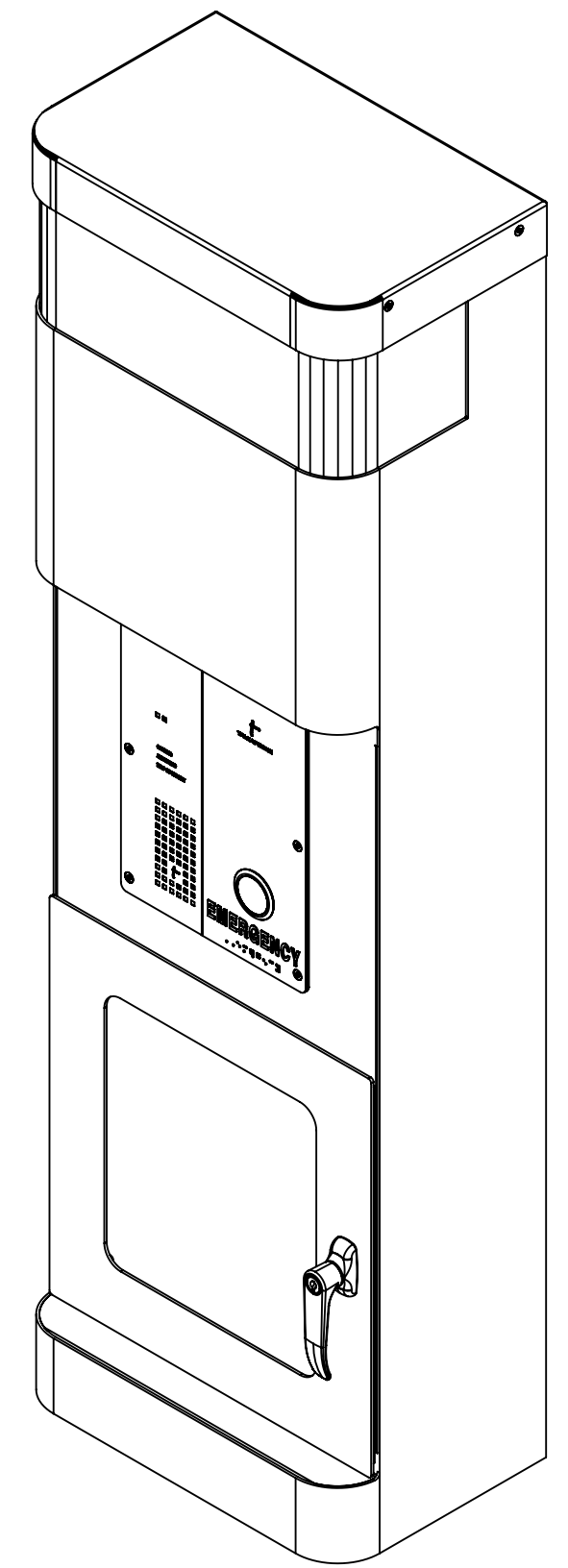
FRONT VIEW



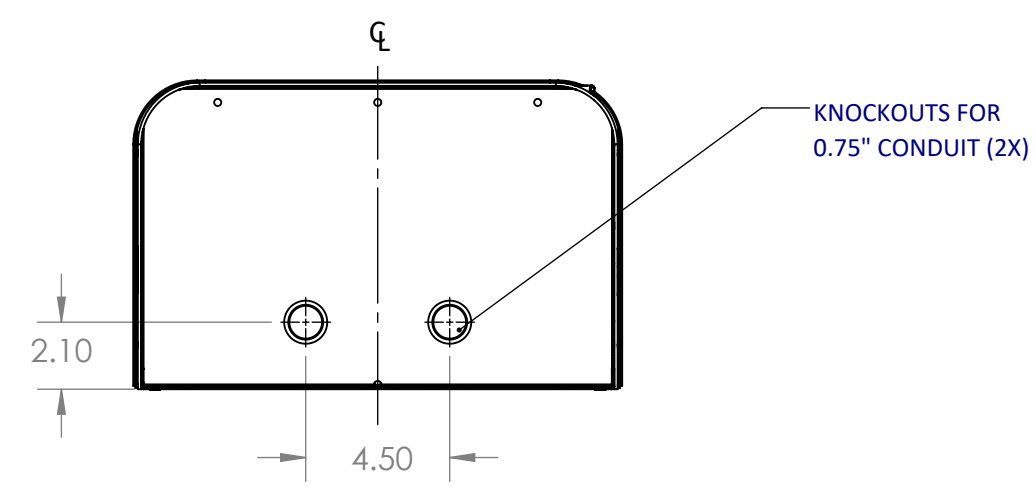
SIDE VIEW



REAR VIEW




ISOMETRIC VIEW



BOTTOM VIEW

FINISH

PROPRIETARY AND CONFIDENTIAL
THE INFORMATION CONTAINED IN THIS DRAWING IS THE SOLE PROPERTY OF TALK-A-PHONE COMPANY. ANY REPRODUCTION IN PART OR AS A WHOLE WITHOUT THE WRITTEN PERMISSION OF TALK-A-PHONE COMPANY IS PROHIBITED.

1.0	MARKETING RELEASE	10/27/2017	M OBAL
REV.	DESCRIPTION	DATE	APPROVED
REVISIONS			
	NAME	DATE	
DRAWN	M OBAL	10/27/2017	
CHECKED	C WONG	10/30/2017	
ENG APPR.			
MFG APPR.			
Q.A.			
COMMENTS:			
 TALKAPHONE TALK-A-PHONE CO. 7530 N. NATCHEZ AVE., NILES, IL 60714 WWW.TALKAPHONE.COM		DWG. NO. SIZE PART NO. ETP-WM-AED-1 REV C DWG. TITLE: 1.0 SCALE: 1:8 WEIGHT: SHEET 1 OF 3	

8

7

6

5

4

3

2

1

F

E

D

C

B

A

F

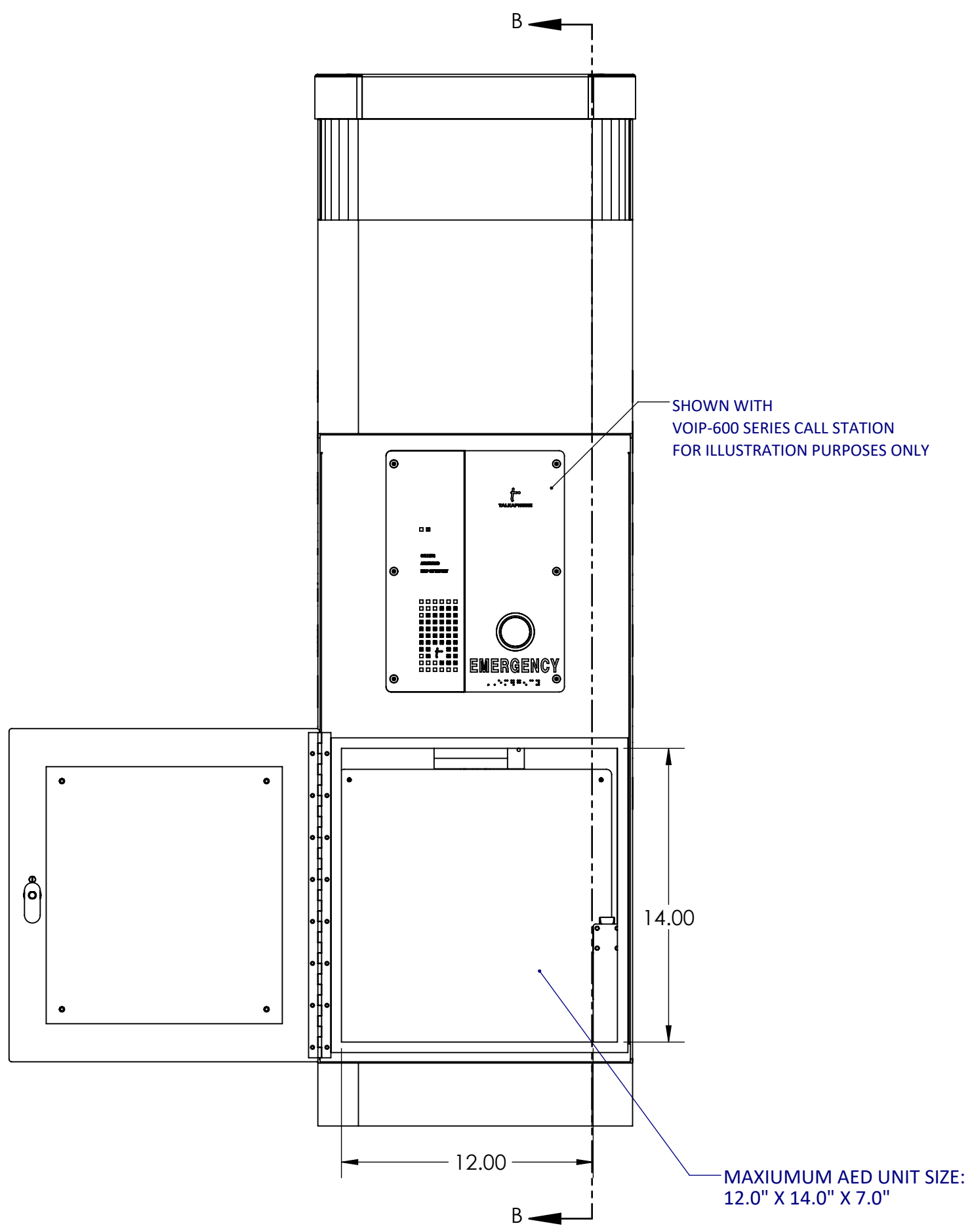
E

D

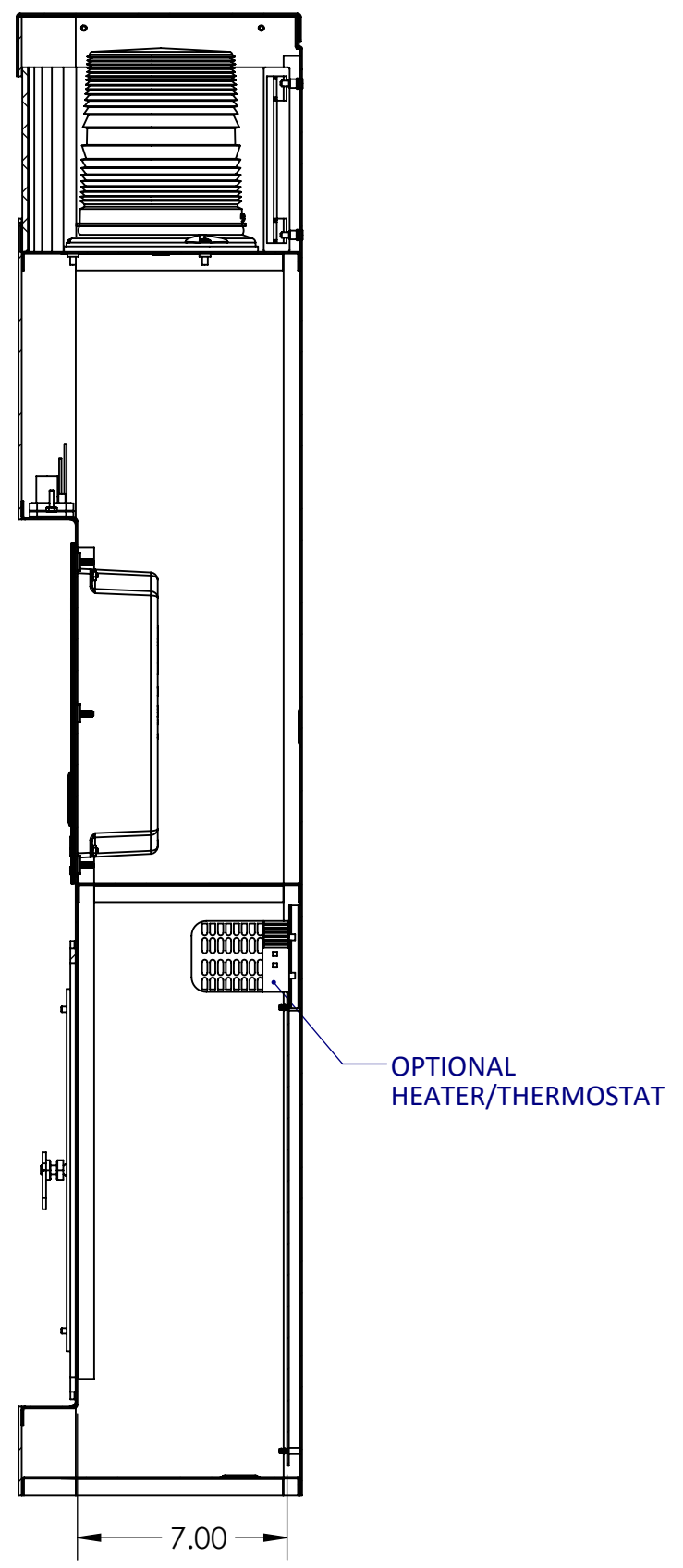
C

B

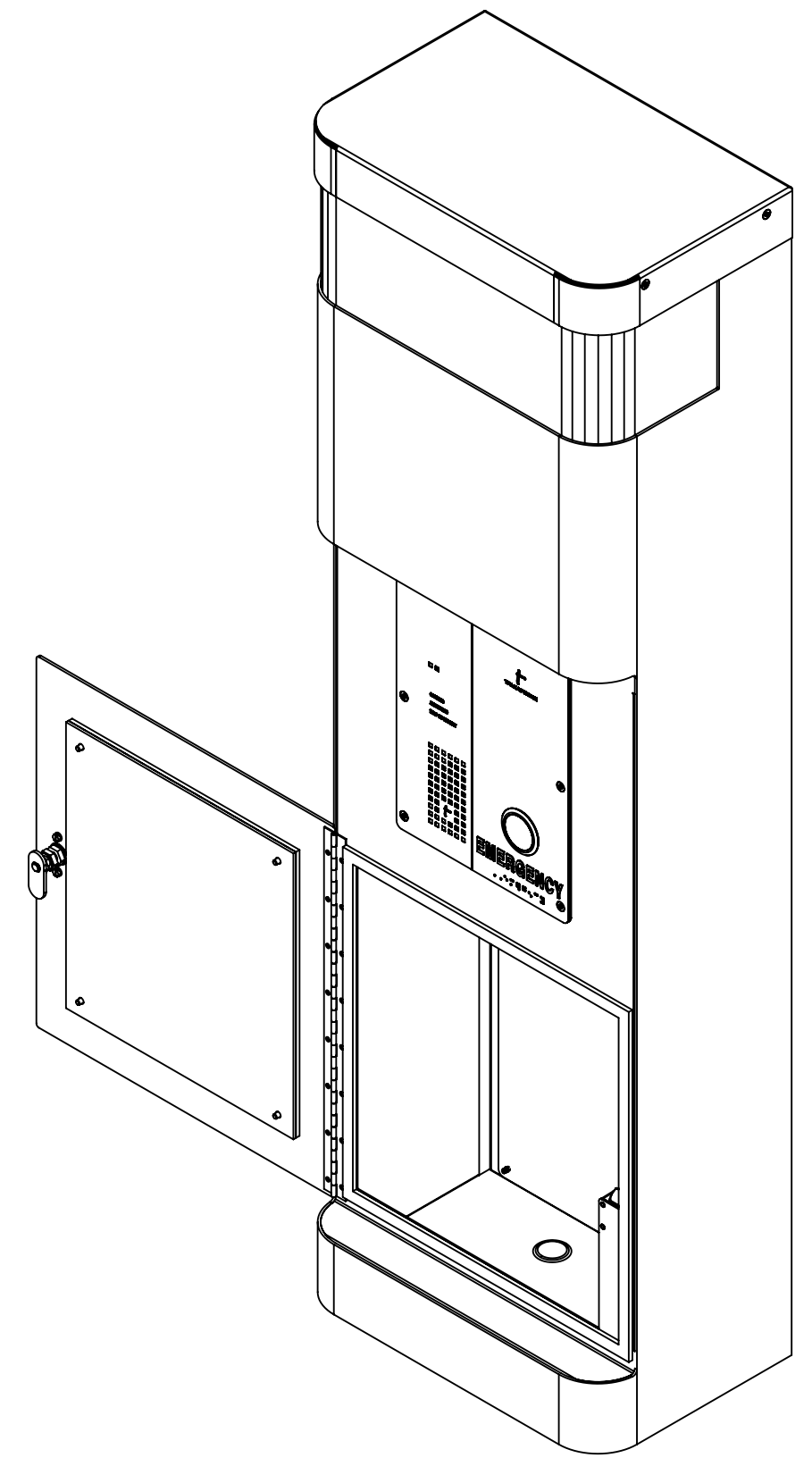
A



FRONT VIEW



**SECTION B-B
SCALE 1 : 6**



ISOMETRIC VIEW

1.0	MARKETING RELEASE	10/27/2017	M OBAL	
REV.	DESCRIPTION	DATE	APPROVED	
REVISIONS				
	NAME	DATE		
DRAWN	M OBAL	10/27/2017		
CHECKED	C WONG	10/30/2017		
ENG APPR.				
MFG APPR.				
Q.A.				
COMMENTS:				
PROPRIETARY AND CONFIDENTIAL THE INFORMATION CONTAINED IN THIS DRAWING IS THE SOLE PROPERTY OF TALK-A-PHONE COMPANY. ANY REPRODUCTION IN PART OR AS A WHOLE WITHOUT THE WRITTEN PERMISSION OF TALK-A-PHONE COMPANY IS PROHIBITED.		SIZE	PART NO. ETP-WM-AED-1	REV
		C	DWG. TITLE:	1.0
SCALE: 1:8		WEIGHT:	SHEET 2 OF 3	

8

7

6

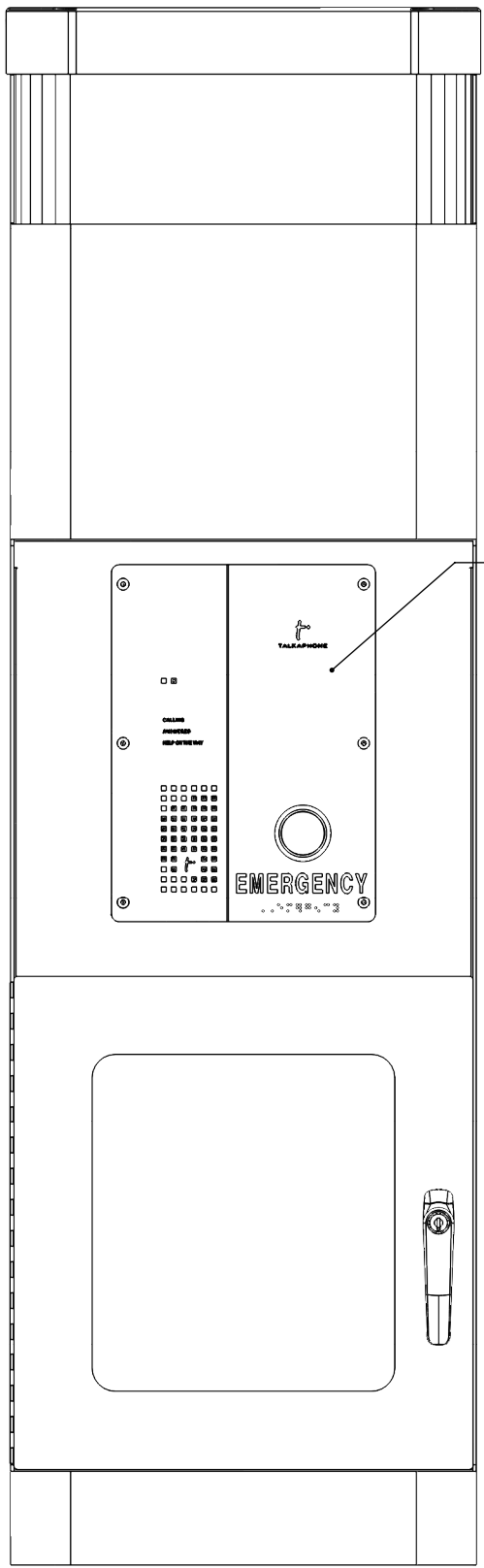
5

4

3

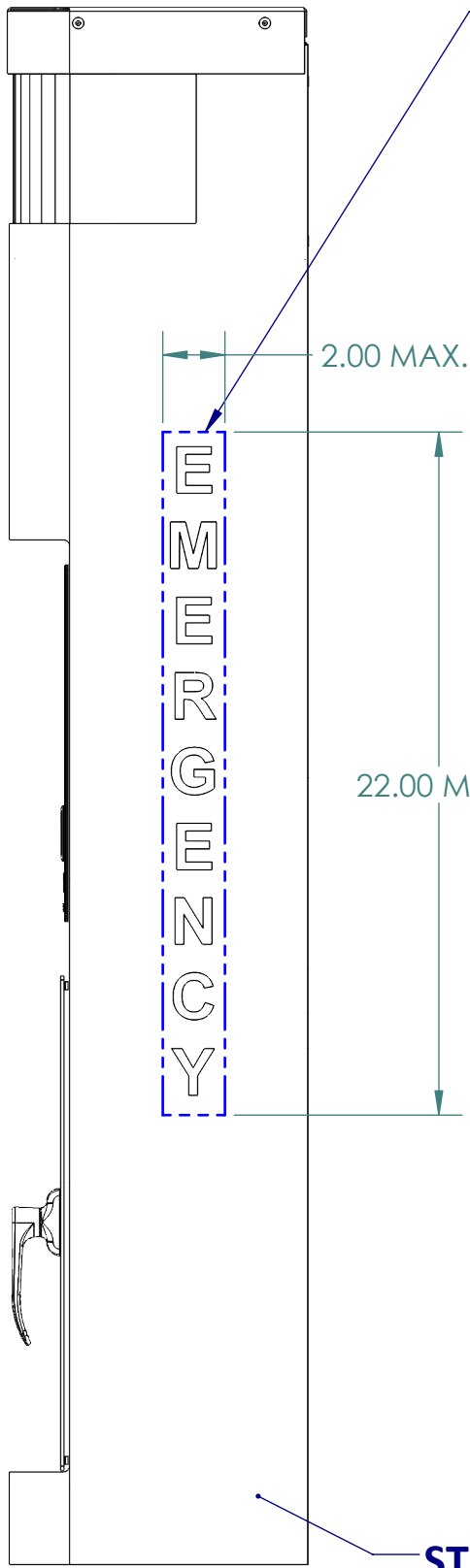
2

1



FRONT VIEW

SHOWN WITH
VOIP-600 SERIES CALL STATION
FOR ILLUSTRATION PURPOSES
ONLY

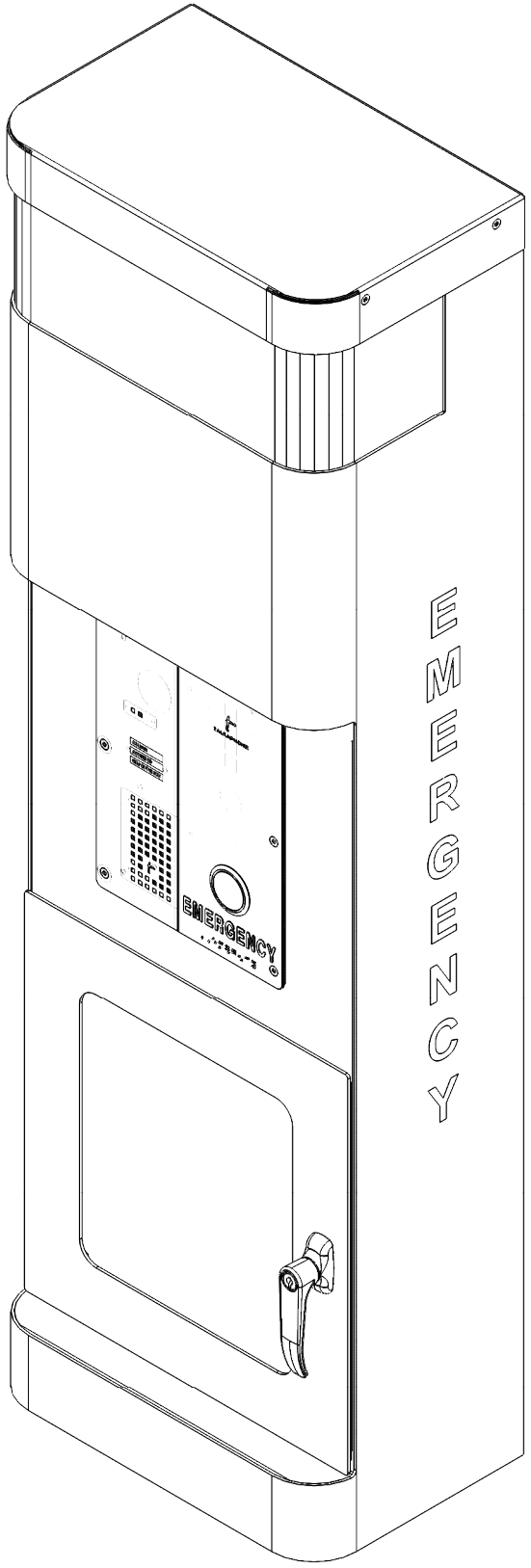


SIDE VIEW

STANDARD SIGNAGE:
SIGNAGE ON TWO SIDES:
2" HIGH REFLECTIVE RED "EMERGENCY"
LETTERING WITH WIDE ANGLE
VISIBILITY IS STANDARD
ALSO AVAILABLE WITH
"ASSISTANCE", "INFORMATION",
OR CUSTOM LETTERING AND COLORS.

STANDARD FINISH:
#4 VERTICAL BRUSHED STAINLESS STEEL

OPTIONAL FINISH:
AVAILABLE PAINTED IN CUSTOM COLORS



FINISH
PROPRIETARY AND CONFIDENTIAL
THE INFORMATION CONTAINED IN THIS
DRAWING IS THE SOLE PROPERTY OF
TALK-A-PHONE COMPANY. ANY
REPRODUCTION IN PART OR AS A WHOLE
WITHOUT THE WRITTEN PERMISSION OF
TALK-A-PHONE COMPANY IS PROHIBITED.

	NAME	DATE
DRAWN	M OBAL	10/27/2017
CHECKED	C WONG	10/30/2017
ENG APPR.		
MFG APPR.		
Q.A.		

t.
TALKAPHONE
TALK-A-PHONE CO.
7530 N. NATCHEZ AVE., NILES, IL 60714
WWW.TALKAPHONE.COM

DWG. NO.	SIZE	PART NO.	ETP-WM-AED-1	REV	1.0
COMMENTS:	C	DWG. TITLE:			
	SCALE: 1:8	WEIGHT:		SHEET 3 OF 3	