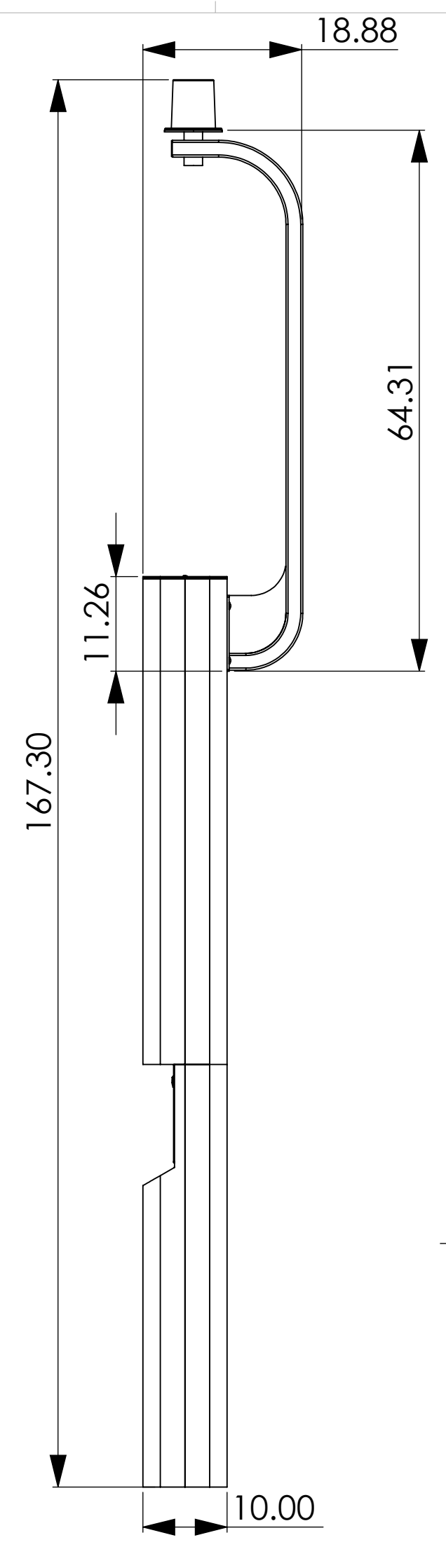
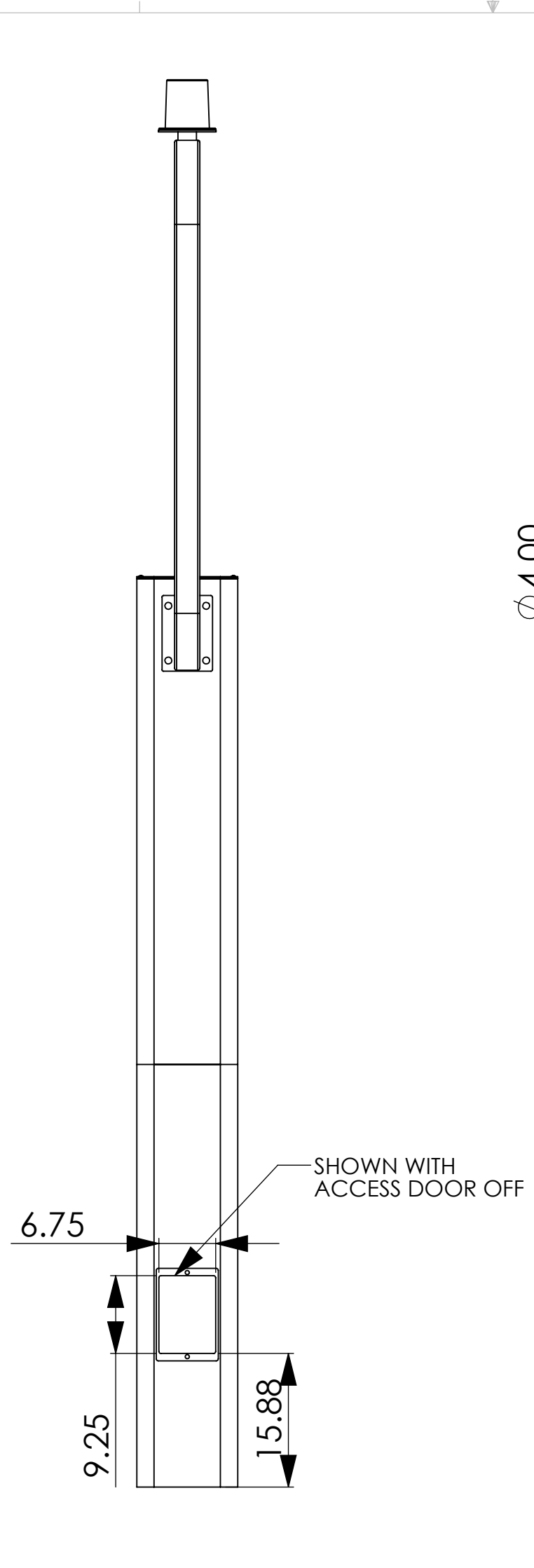


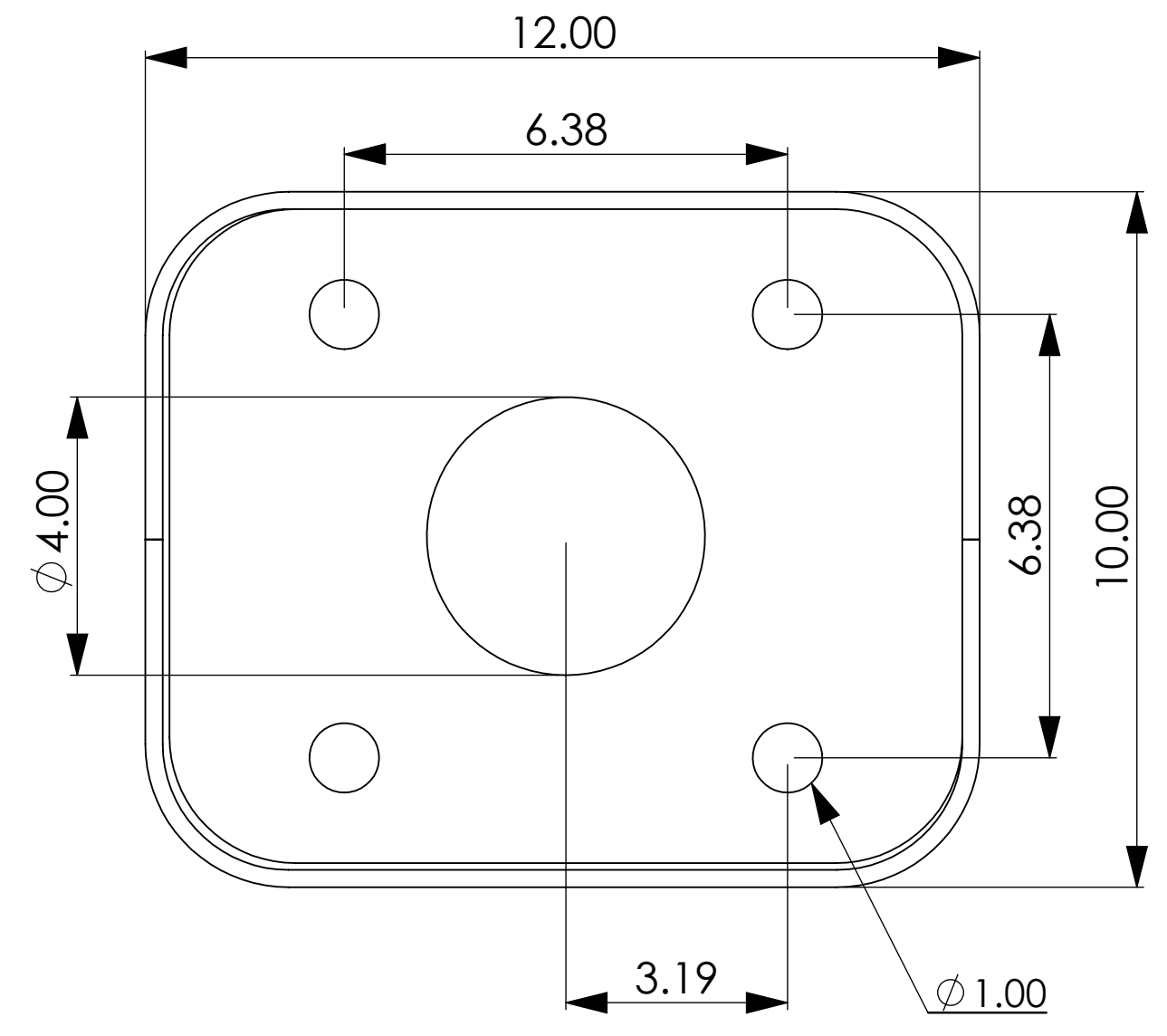
FRONT VIEW



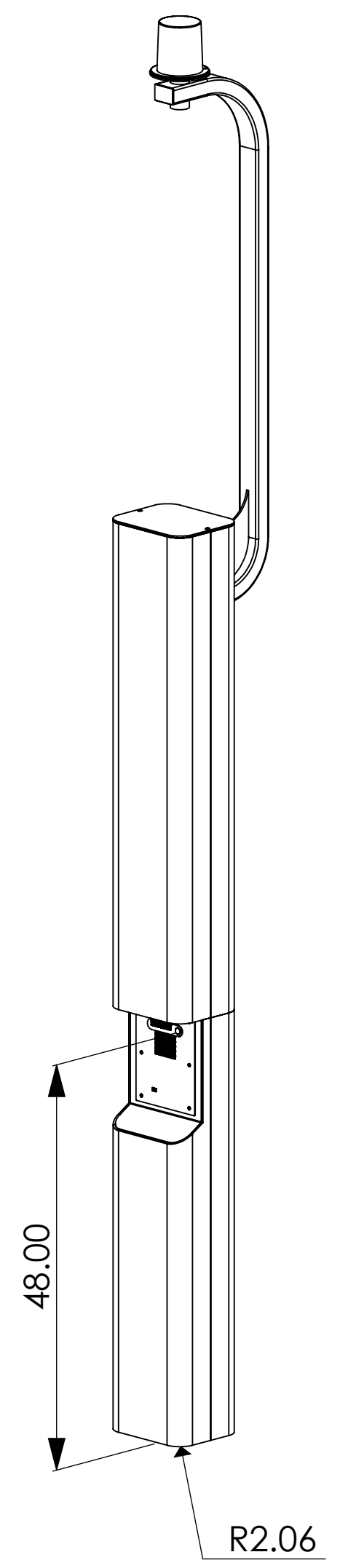
SIDE VIEW



REAR VIEW



FOOT PRINT



R2.06

ALL DIMENSION ARE APPROXIMATE, FOR REFERENCE ONLY

PROPRIETARY AND CONFIDENTIAL
 THE INFORMATION CONTAINED IN THIS DRAWING IS THE SOLE PROPERTY OF TALK-A-PHONE CO. ANY REPRODUCTION IN PART OR AS A WHOLE WITHOUT THE WRITTEN PERMISSION OF TALK-A-PHONE CO IS PROHIBITED.

| | | |
|--------------------------------------|-----------|-------------------|
| UNLESS OTHERWISE SPECIFIED: | NAME | DATE |
| DIMENSIONS ARE IN INCHES | DRAWN | K PATEL 3-21-2011 |
| TOLERANCES: | CHECKED | J KAROL |
| FRACTIONAL ± | ENG APPR. | |
| ANGULAR: MATCH ± BEND ± | MFG APPR. | |
| TWO PLACE DECIMAL ± | Q.A. | |
| THREE PLACE DECIMAL ± | COMMENTS: | |
| INTERPRET GEOMETRIC TOLERANCING PER: | | |
| MATERIAL | | |
| FINISH | | |
| DO NOT SCALE DRAWING | | |

TALK A PHONE
 Creating Communications Solutions
 TALK A PHONE CO.
 7530 NORTH NATCHEZ AVENUE
 NILES, IL - 60714
 773.539.1100
 WWW.TALKAPHONE.COM

| | |
|--------------|-----|
| SIZE | REV |
| C | - |
| ETP MT/R OP4 | |

SHEET 1 OF 1