



TALKAPHONE

# ETP-MTE ECO TOWER™ EMERGENCY PHONE TOWER

THE ECO TOWER™ EMERGENCY PHONE TOWER, MODEL ETP-MTE, COMBINES ECONOMY AND ECOLOGY INTO ONE STYLISH PRODUCT. THE LIGHTWEIGHT ALUMINUM CONSTRUCTION REDUCES ITS ECOLOGICAL FOOTPRINT AND ALLOWS FOR ONE-PERSON INSTALLATION

## FEATURES

- Light weight aluminum construction for reduced ecological footprint and one-person installation
- Durable, multilayer powder coating achieves near-zero waste and VOC (volatile organic compound) emissions
- Modular construction allows for easy upgrades
- Optimal internal mounting plates and shelves provide clean mounting solutions for accessories
- Emergency Phone is illuminated at all times by an LED Panel Light
- Vandal-resistant and designed to resist extreme weather conditions
- A variety of signage, graphics and color choices are available
- Easily mount any Talk-A-Phone ETP-400 Series or VOIP-500 Series Emergency/Information Phone into the unit (sold separately)
- ADA-compliant



ETP-MTE - ECO TOWER™  
Emergency Phone TowerETP-MTE-W - Wireless/  
Switched Power ECO TOWER™  
Emergency Phone TowerETP-MTE-WP - Wireless ECO  
TOWER™ Emergency Phone  
Tower with Pole

<b>Construction:</b>	0.125 in. aluminum	0.125 in. aluminum	0.125 in. aluminum
<b>Dimensions (WxDxH):</b>	10.0 x 6.8 x 113.0 in. (254 x 171 x 2870 mm)	10.0 x 6.8 x 124.0 in. (254 x 171 x 3150 mm)	10.0 x 6.8 x 148.0 in. (254 x 171 x 3759 mm) including pole and Blue Light
<b>Weight:</b>	45 lbs. (20.4 kg)	50 lbs. (22.7 kg)	60 lbs. (27.2 kg)
<b>Coating:</b>	High-gloss, multi-layer, corrosion-inhibitive system with resistance to UV-fade and graffiti protection	High-gloss, multi-layer, corrosion-inhibitive system with resistance to UV-fade and graffiti protection	High-gloss, multi-layer, corrosion-inhibitive system with resistance to UV-fade and graffiti protection
<b>Colors:</b>	Blue and Red are standard. Available in custom colors.	Blue and Red are standard. Available in custom colors.	Blue and Red are standard. Available in custom colors.
<b>Signage:</b>	3.25 in. high reflective white "EMERGENCY" lettering with wide-angle visibility is standard. Available in custom colors, lettering, and graphics.	3.25 in. high reflective white "EMERGENCY" lettering with wide-angle visibility is standard. Available in custom colors, lettering, and graphics.	3.25 in. high reflective white "EMERGENCY" lettering with wide-angle visibility is standard. Available in custom colors, lettering, and graphics.
<b>Lighting:</b>	LED Blue Light: 209 lumens peak, 78 flashes per minute. 50,000 hour lifetime  LED Panel Light: Ultra bright LEDs, 50,000 hour lifetime	LED Blue Light: 209 lumens peak, 78 flashes per minute. 50,000 hour lifetime  LED Panel Light: Ultra bright LEDs, 50,000 hour lifetime	LED Blue Light: 209 lumens peak, 78 flashes per minute. 50,000 hour lifetime  LED Panel Light: Ultra bright LEDs, 50,000 hour lifetime
<b>Power:</b>	9 watts, 12-24VDC, 24/120VAC	9 watts, 12-24VDC, 24/120VAC	9 watts, 12-24VDC, 24/120VAC
<b>Mounting:</b>	Mounts into concrete foundation using included hardware (shipped in advance). Mounting options available for pre-poured parking decks.	Mounts into concrete foundation using included hardware (shipped in advance). Mounting options available for pre-poured parking decks.	Mounts into concrete foundation using included hardware (shipped in advance). Mounting options available for pre-poured parking decks.
<b>Warranty:</b>	2-year warranty	2-year warranty	2-year warranty

**ETP-MTE-ARM - ECO TOWER™**  
Camera Arm



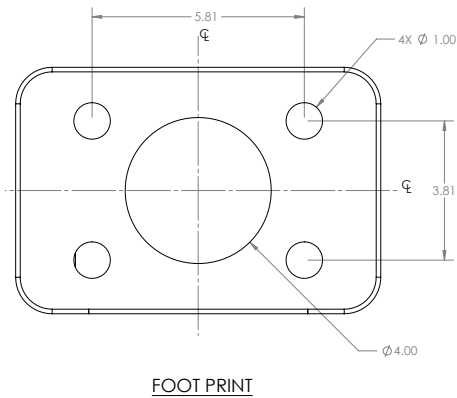
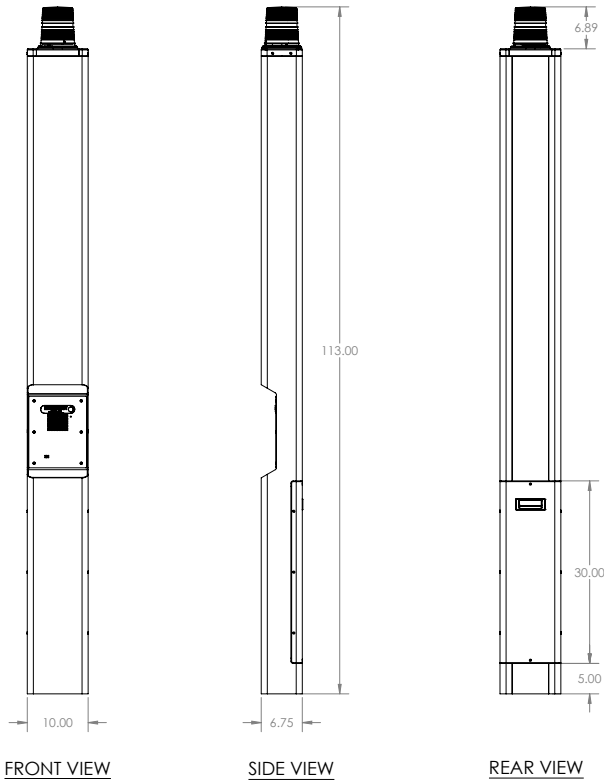
**ETP-MTE-72 - ECO TOWER™**  
Emergency Phone Tower



<b>Construction:</b>	0.125 in. aluminum	0.125 in. aluminum
<b>Dimensions (WxDxH):</b>	10.0 x 13.5 x 43.4 in. (254 x 344 x 1101 mm) not including LED Blue Light	10.0 x 6.8 x 72.0 in. (254 x 171 x 1829 mm)
<b>Weight:</b>	18 lbs. (8.2 kg) - Arm	30 lbs. (13.6 kg)
<b>Coating:</b>	High-gloss, multi-layer, corrosion-inhibitive system with resistance to UV-fade and graffiti protection	High-gloss, multi-layer, - corrosion-inhibitive system with resistance to UV-fade and graffiti protection
<b>Colors:</b>	Blue and Red are standard. Available in custom colors.	Blue and Red are standard. Available in custom colors.
<b>Signage:</b>	N/A	3.25 in. high reflective white "EMERGENCY" lettering with wide-angle visibility is standard. Available in custom colors, lettering, and graphics.
<b>Lighting:</b>	N/A	LED Blue Light: 209 lumens peak, 78 flashes per minute. 50,000 hour lifetime LED Panel Light: Ultra bright LEDs, 50,000 hour lifetime
<b>Power:</b>	N/A	9 watts, 12-24VDC, 24/120VAC
<b>Mounting:</b>	Camera mount has a 1.5" NPT adapter to mount a dome camera. Camera mount can be installed on any basic ECO TOWER emergency phone tower.	Mounts into concrete foundation using included hardware (shipped in advance). Mounting options available for pre-poured parking decks.
<b>Warranty:</b>	2-year warranty	2-year warranty

## DIMENSIONAL DRAWING

All dimensions are in inches and are provided for reference only.



**TALKAPHONE**

THE LEADERS IN SECURITY AND LIFE SAFETY COMMUNICATIONS

7530 North Natchez Avenue  
Niles, Illinois 60714

Tel: 773-539-1100  
Email: info@talkaphone.com  
Web: www.talkaphone.com

## ACCESSORIES

**Parking Deck Mounting Kit:** Order model ETP-PDMK to mount on pre-poured parking deck.

**Shelving:** Order model ETP-MTE-SHELF to add an internal mounting shelf for accessories. Maximum two shelves per tower.

**Mounting Panel:** Order model ETP-MTE-PANEL to add an internal mounting panel for accessories. Maximum two panels per tower.

## Emergency Phones

**VoIP**

**ANALOG**

Single Button Emergency Phone



**VOIP-500**



**ETP-400**

Single Button Assistance Phone



**VOIP-500C**



**ETP-400C**

Dual Button Emergency Phone



**VOIP-500D**



**ETP-400D**

Keypad Emergency Phone



**VOIP-500K**



**ETP-400K**