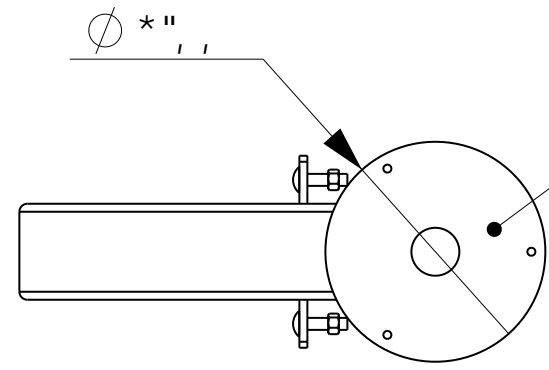
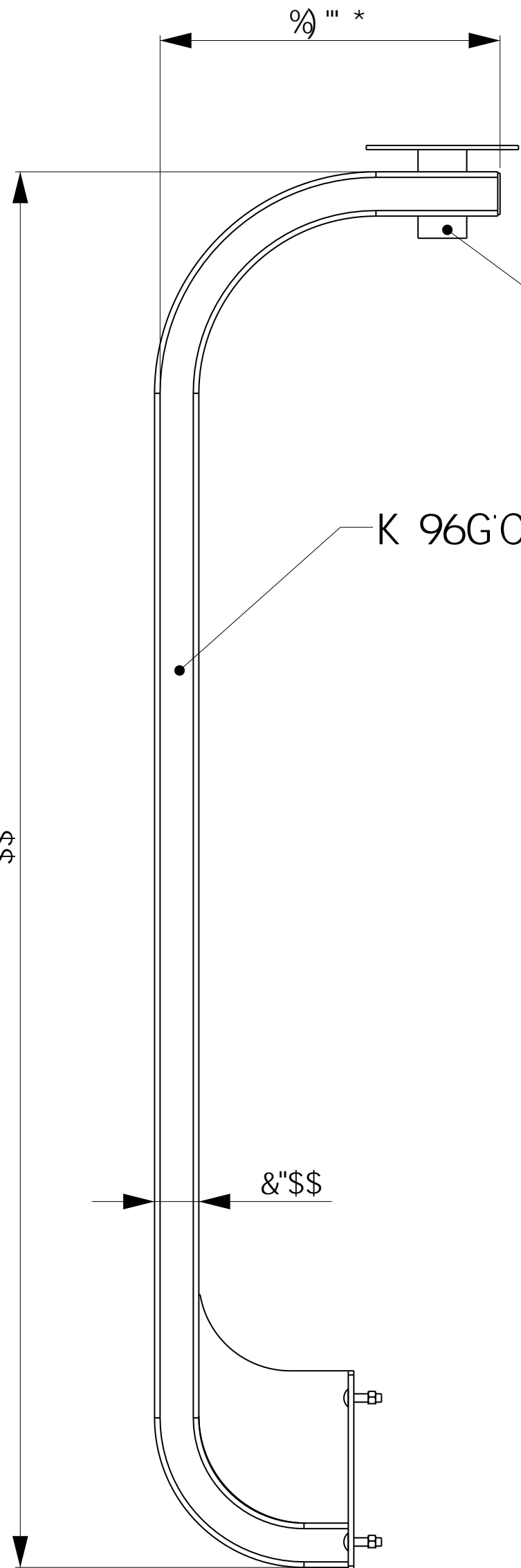


G<CK B'K #k
577 9GG8C C F'C ::

I B @XG C H: 9FK 09 0D97 + 98:	B5A 9	85H9	<p>TALK A PHONE Creating Communications Solutions</p>
B A 98GC BG5F9 B: B7 < 9G HC @F5B7 9G F57 HC B5 @ SB: I 45f. A 57 < ± "" 698 B ± K C D @57 9897 A 5 @ ± H: F99D @57 9897 A 5 @ ±	8F5K B	705H @) #&#&\$\$, 9B: 5DDF >75FC @) #&#&\$\$, 9B: 5DDF* A: 5DDF*	
D F C D F @ 6 F M 5 B 8 7 C B: 6 9 B H 6 @ H: 9 B: C F A 5 H C B 7 C B H 6 B 9 8 B H: G B F 5 K B: G H: 9 G C @ D F C D F H M C: H 5 @ 15 I D: C B 9 7 C: 5 B M F 9 D F C B I 7 H C B B D 5 F H C F 5 G 5 K < C @ K H: C I H H: 9 K F H H B D 9 F A G G C B C: H 5 @ 15 I D: C B 9 7 C G D F C < 6 4 9 8 *	HC @F5B7 B: D9F A 5 H F 5 @ : B G: 8 C B C H G 7 5 @ 8 F 5 K B:	E 5* 7 C A A 9 B H G	<p>H 5 @ 15 I D: C B 9 7 C *</p> <p>+) ' \$ B C F H: B 5 H 7 < 9 N 5 J 9 B I 9'</p> <p>B @ 9 G @ * \$ + % (! ' , \$ ("</p> <p>+ + ') ' - % @ \$ \$</p> <p>H 5 @ 15 D: C B 9 7 C A</p>
6 C H C A J 9 K	GN9 7	K 96GA H#F 'C D(F9J !
		G: 99H% C: &	

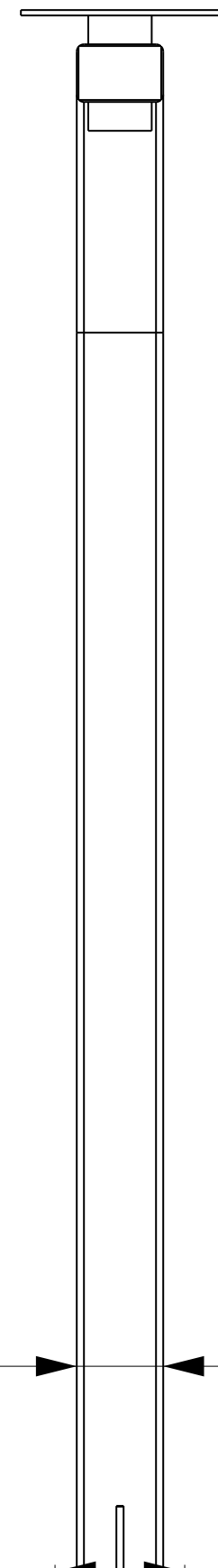


6 @ 9 @ $\frac{1}{4}$ < HGFC 69
65 G9'D @ 5 H9

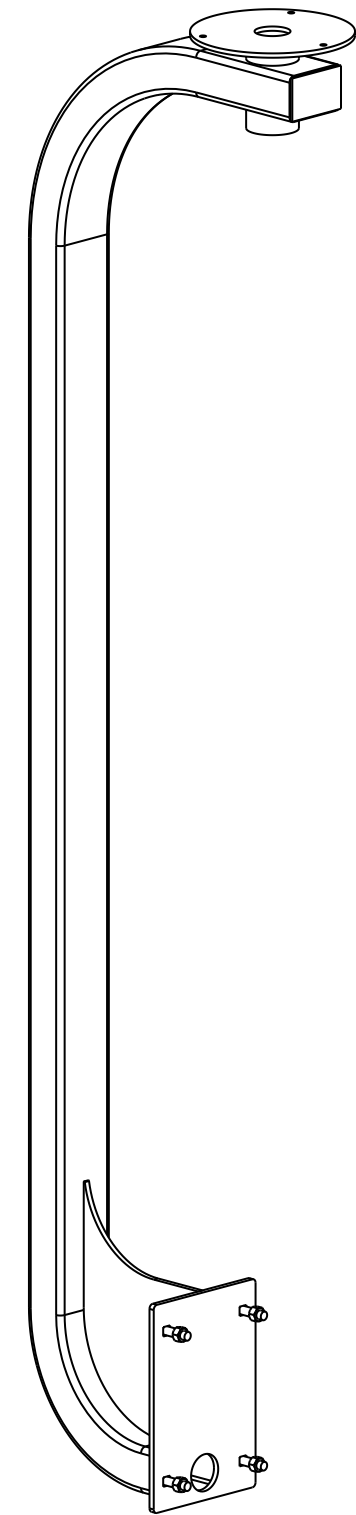
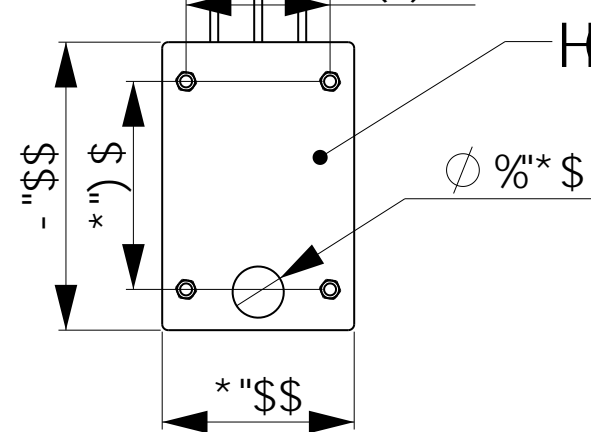


1.5" BDH 6I G < B;
: C F 7 5 A 9 F 5 8 C A 9

K 96 G C D (#) 7 5 A 9 F 5 5 F A



HC K 9 F A C I B H B; ' D @ 5 H 9



DFC D F 4 6 F M 5 B 8 7 C B : 4 9 B H 6 @
H: 9 B : C F A 5 H C B 7 C B H 6 B 9 8 B H G
B F 5 K B : G H 9 G C @ D F C D F H M C :
H 5 @ I 5 I D : C B 9 7 C : 5 B M
F 9 D F C B I 7 H C B B D 5 F H C F 5 G 5 K < C @
K H C I H H 9 K F H H B D 9 F A G G C B C :
H 5 @ I 5 I D : C B 9 7 C G
D F C < 6 H 9 8

I B @ 9 G C H : 9 F K @ 9 D 9 7 + 9 8 :	B 5 A 9	B 5 H 9
B A 9 8 G C B G 5 F 9 B : B 7 < 9 G	8 F 5 K B	? D 5 H 9 @) # & # \$ %
H C @ F 5 B 7 9 G	7 < 9 7 9 8	> 7 5 F C @) # & # \$ %
F 5 7 H C B 5 @	9 B : 5 D D F "	
5 B : I 4 5 F A 5 7 < ± " " 6 9 8 8 ±	A : : 5 D D F "	
H C C D @ 5 7 9 8 9 7 A 5 @ ±		
H : F 9 9 D @ 5 7 9 8 9 7 A 5 @ ±		
B H F D F 9 H : 9 C A 9 F 7	E 5 "	
H C @ F 5 B 7 B : D 9 F	7 C A A 9 8 H G	
A 5 H F 5 @		
: B G :		
8 C B C H G 7 5 @ 8 F 5 K B :		



GN9	8 K ; "BC "	F 9 J
7	K 9 6 G C D (#) 7 5 A 9 F 5 5 F A	!
	G < 9 9 H & C : &	