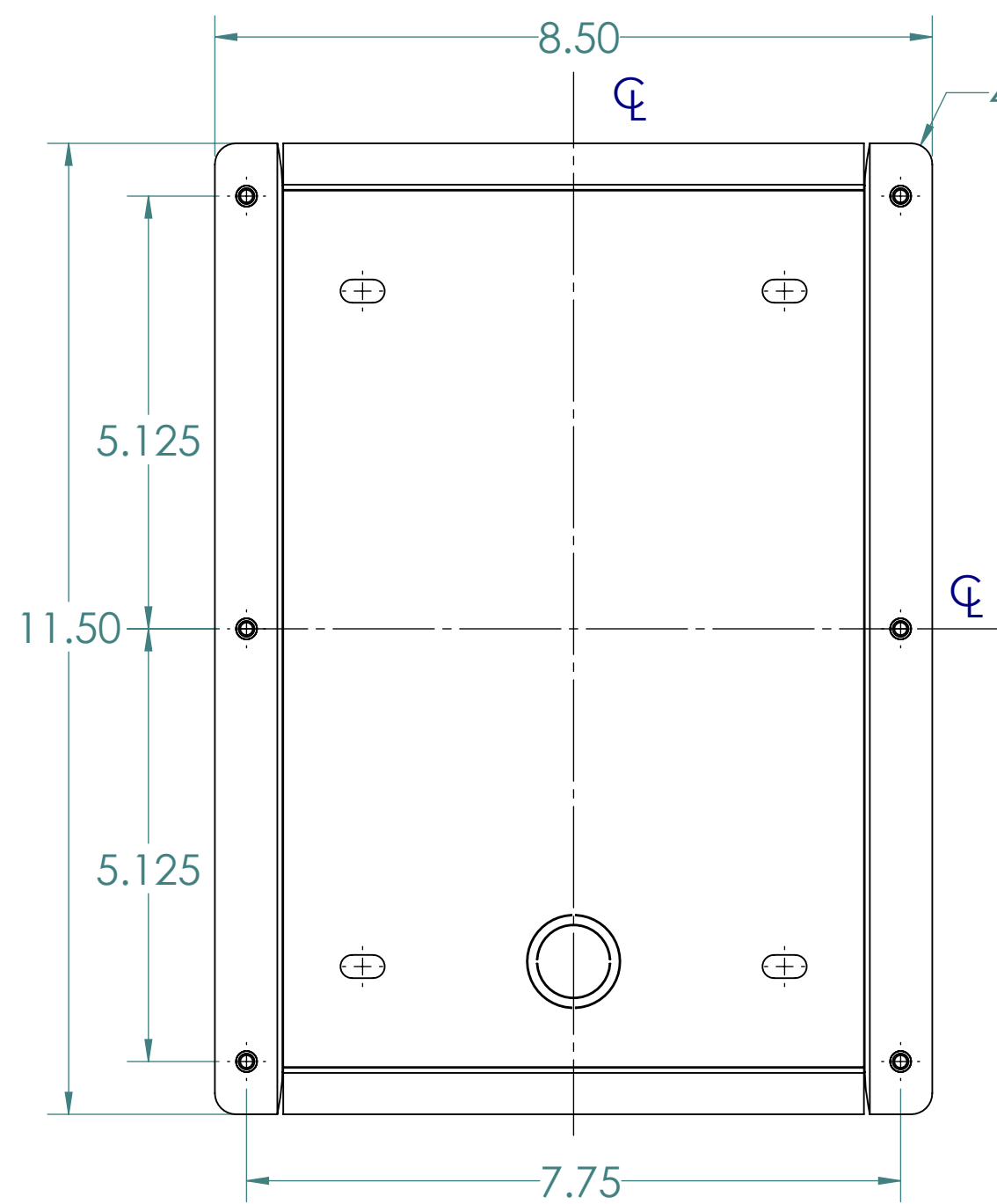
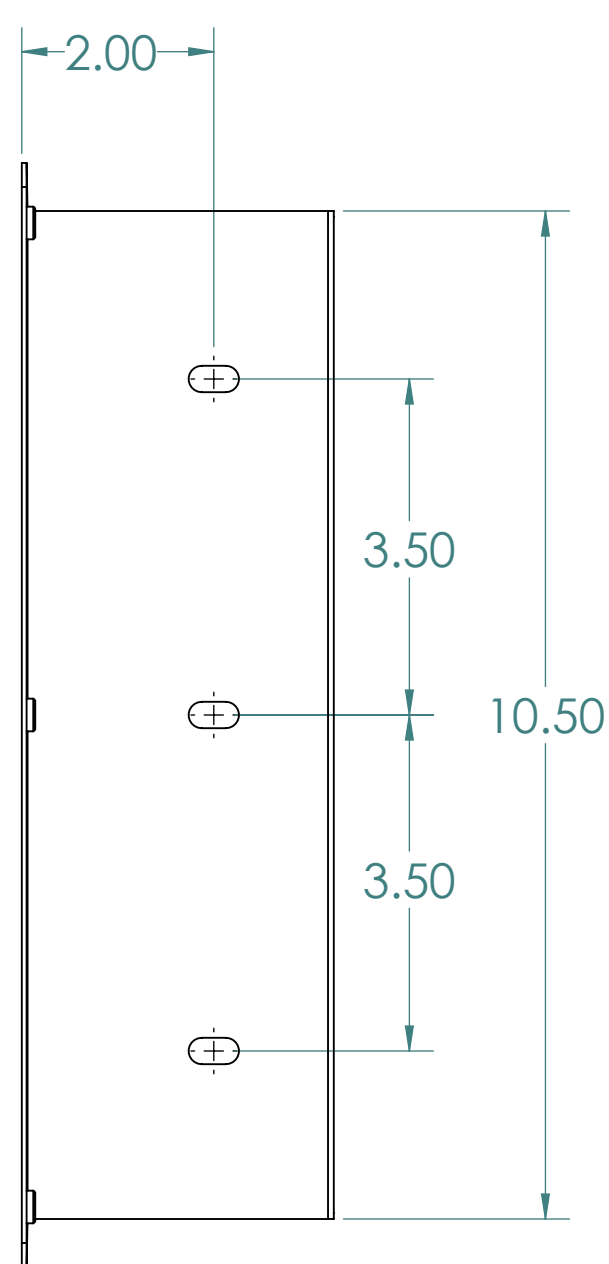


GENERAL NOTES:

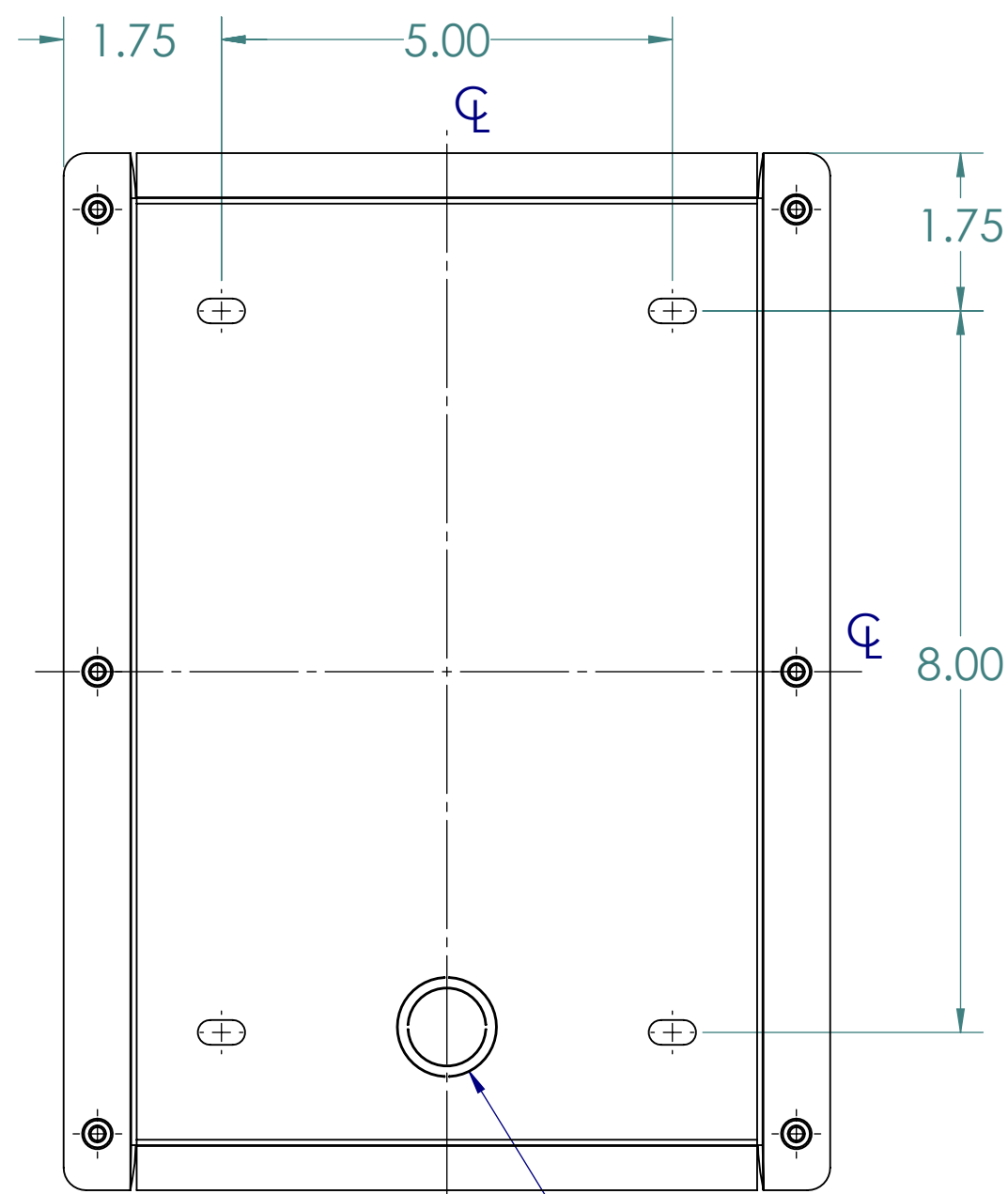
THE MS-600 FLUSH MOUNT SLEEVE INCLUDES A GASKET THAT CAN INSTALLED BETWEEN THE MS-600 AND THE WALL FOR SEALING PURPOSES.



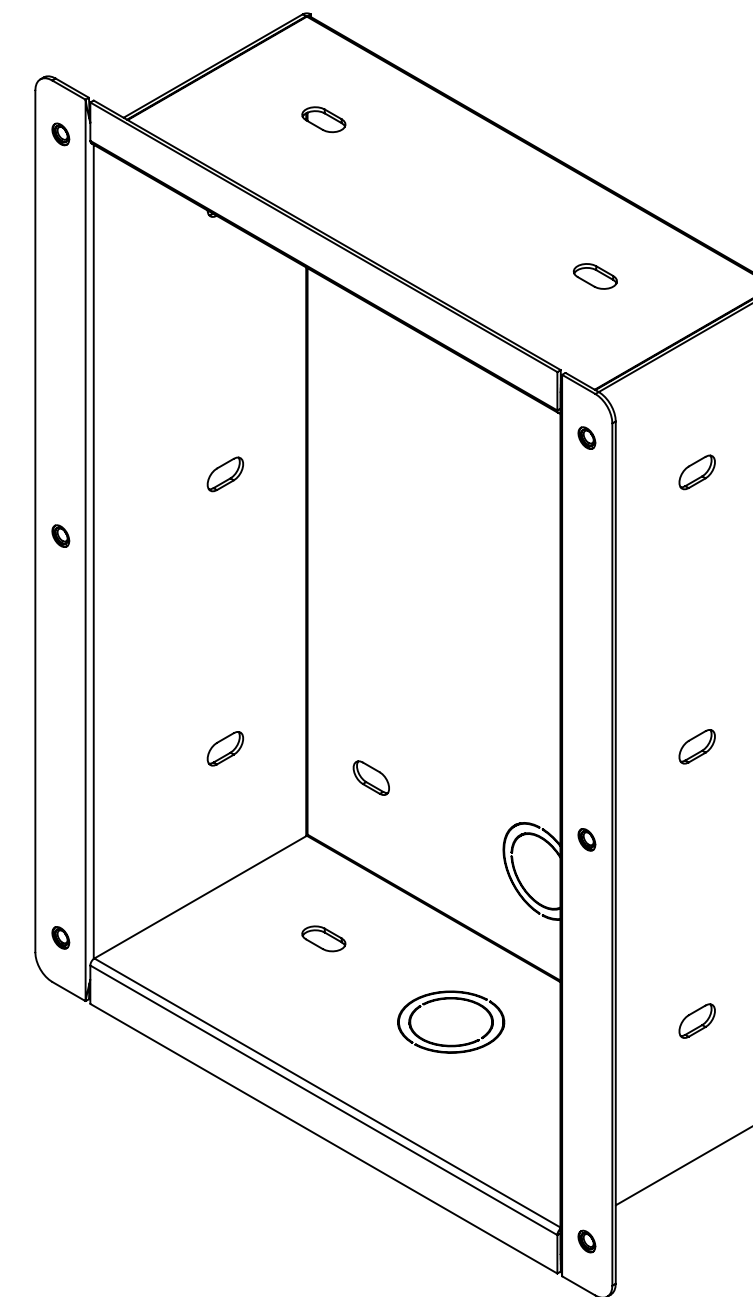
FRONT VIEW



SIDE VIEW

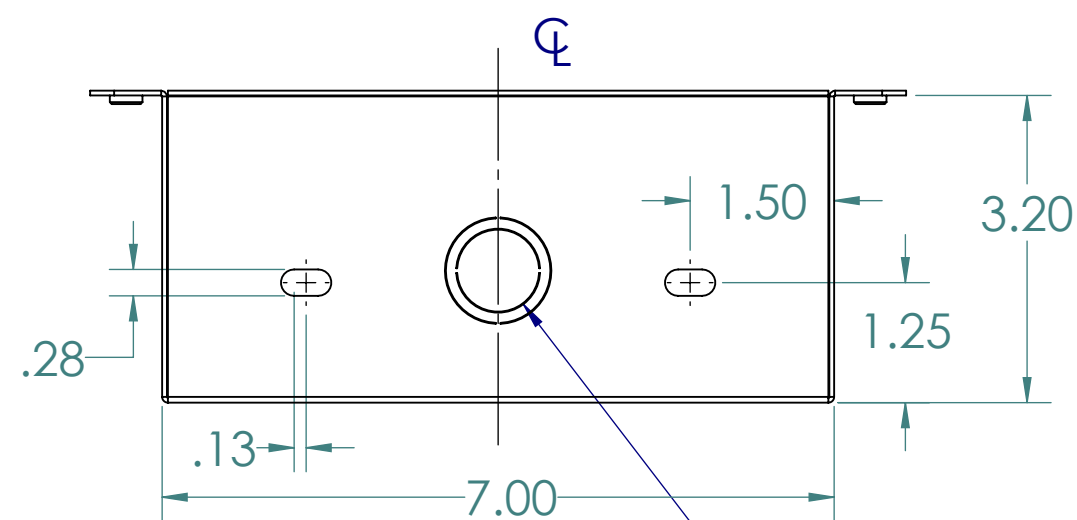


REAR VIEW



ISOMETRIC VIEW


KNOCK OUT FOR
1/2" OR 3/4" CONDUIT



FOOT PRINT

KNOCK OUT FOR
1/2" OR 3/4" CONDUIT

FINISH
ELECTROPLATED ZINC
PROPRIETARY AND CONFIDENTIAL
THE INFORMATION CONTAINED IN THIS
DRAWING IS THE SOLE PROPERTY OF
TALK-A-PHONE COMPANY. ANY
REPRODUCTION IN PART OR AS A WHOLE
WITHOUT THE WRITTEN PERMISSION OF
TALK-A-PHONE COMPANY IS PROHIBITED.

1.0	PRODUCTION RELEASE	10/9/2015	K PATEL
REV.	DESCRIPTION	DATE	APPROVED
REVISIONS			
DRAWN	NAME Z CARNAHAN	DATE 10/9/2015	 TALKAPHONE TALK-A-PHONE CO. 7530 N. NATCHEZ AVE. NILES, IL 60714 WWW.TALKAPHONE.COM
CHECKED	C WONG	10/9/2015	
ENG APPR.			
MFG APPR.			
Q.A.			
COMMENTS:			DWG. NO.
SIZE	PART NO. 24541	REV	
C	DWG. TITLE: MS-600 MOUNTING SLEEVE	1.0	
SCALE: 1:2	WEIGHT:	SHEET 1 OF 1	