

I. Introduction

This Installation Manual provides detailed instructions for a typical installation of the **MS-600**. It is highly recommended that this manual be read in its entirety before starting any installation.

II. Contents

Please ensure receipt of each of the included **MS-600** components:

QTY	Part Number	Description
1	24541	Flush Mounting Sleeve
1	67595	Gasket for Flush Mounting Sleeve
1	67598	Paper Mounting Template (MS-600)

III. Installation



THIS PRODUCT MUST BE INSTALLED IN ACCORDANCE WITH THE APPLICABLE INSTALLATION CODE (FEDERAL, STATE, AND LOCAL) BY A PERSON FAMILIAR WITH THE CONSTRUCTION AND OPERATION OF THE PRODUCT AND THE HAZARDS INVOLVED

PLEASE NOTE THAT THIS INSTALLATION MANUAL IS INTENDED TO BE USED AS GENERAL INSTALLATION GUIDANCE. INSTALLATION REQUIREMENTS IN THE FIELD MAY VARY.

1. Mount the **MS-600** flush mounting sleeve into a stud wall, cement block, brick wall, or other wall type. Unit must be flush with the finished wall surface so that the gasket on the Call Station/Phone installed into the **MS-600** seals properly. See **Figures (1) and (2)**.
2. Install the top and bottom supports for the **MS-600** flush mounting sleeve; these are set at a distance of 10.50 inches (typical). The distance from the bottom support of the **MS-600** to the ground is dictated by the distance from the Call Station pushbutton to the ground per ADA requirements. See **Figure (1)**.

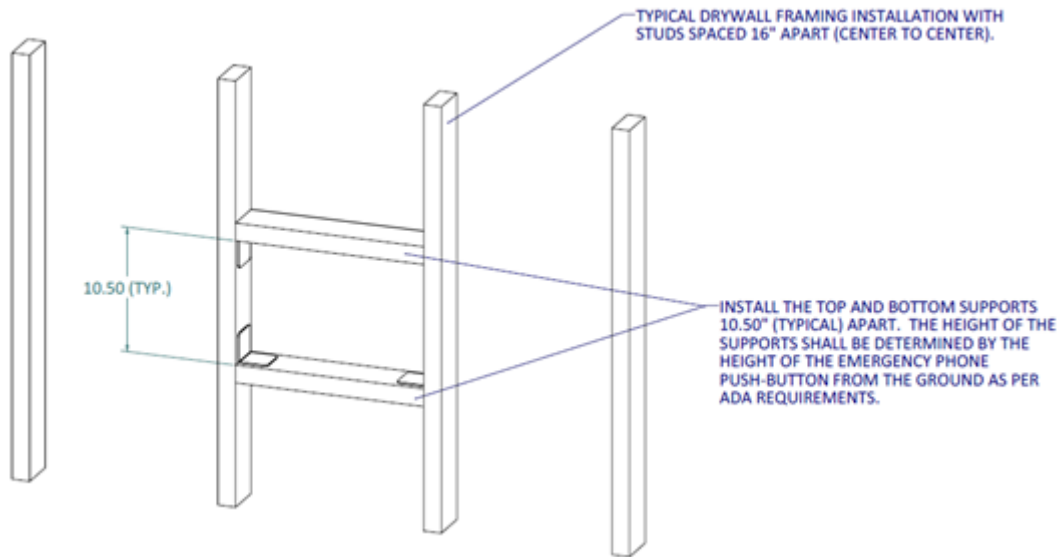


Figure 1. Considerations for installation into drywall framing.

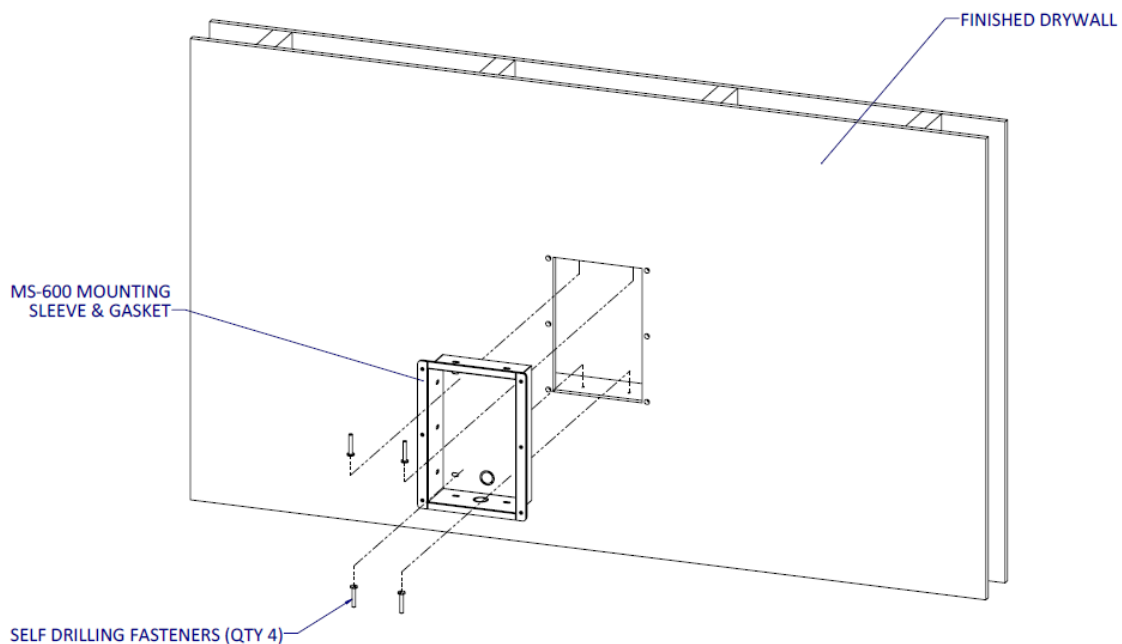


Figure 2. Overview for installation of the MS-600 flush mounting sleeve and gasket into finished drywall.

- After all supports have been properly installed, use the provided template to create the necessary cutout for the **MS-600** flush mounting sleeve. Along with the main cutout, six (6) clearance holes

may need to be drilled around the cutout to provide a proper mating surface between the unit and the mounting wall. See **Figure (3)**.

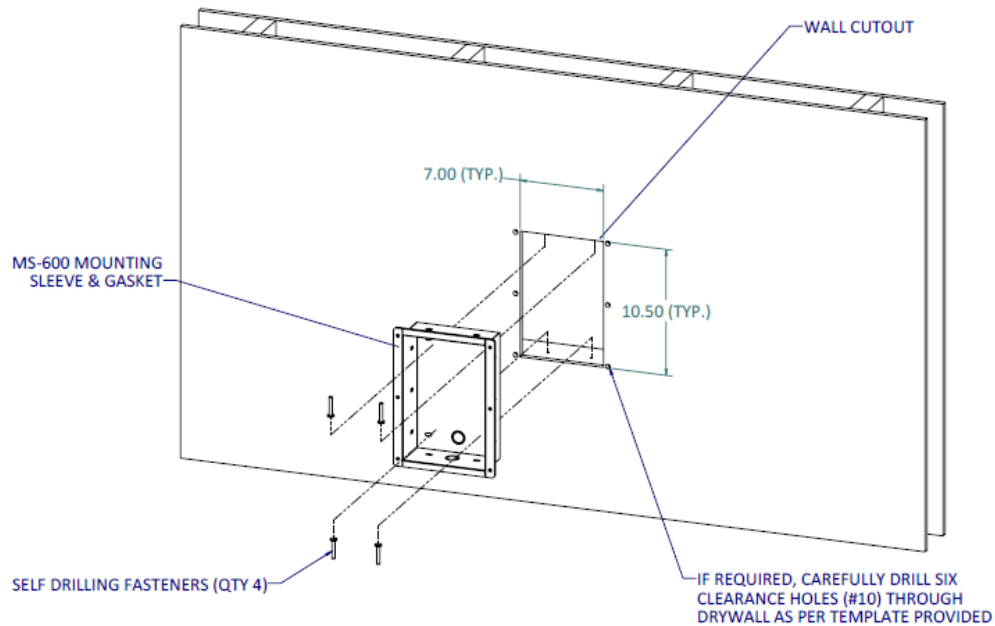


Figure 3. Exploded overview of installation.

4. Upon completing the cutout, insert the **MS-600** with included gasket and secure the **MS-600** to the support beams with four (4) self-drilling fasteners (fasteners not provided by Talkaphone).

5. The **MS-600** is equipped with two (2) knockouts for 3/4-inch conduits. These may be used to connect conduit to the **MS-600** flush mounting sleeve so that the Call Station can receive power and/or communication. The knockouts are both located on the bottom and at the rear of the **MS-600** flush mounting sleeve as shown in **Figure (4)**.

Select the knockout(s) to be used and strike out the appropriate knockout(s) and install the conduit to the **MS-600**.

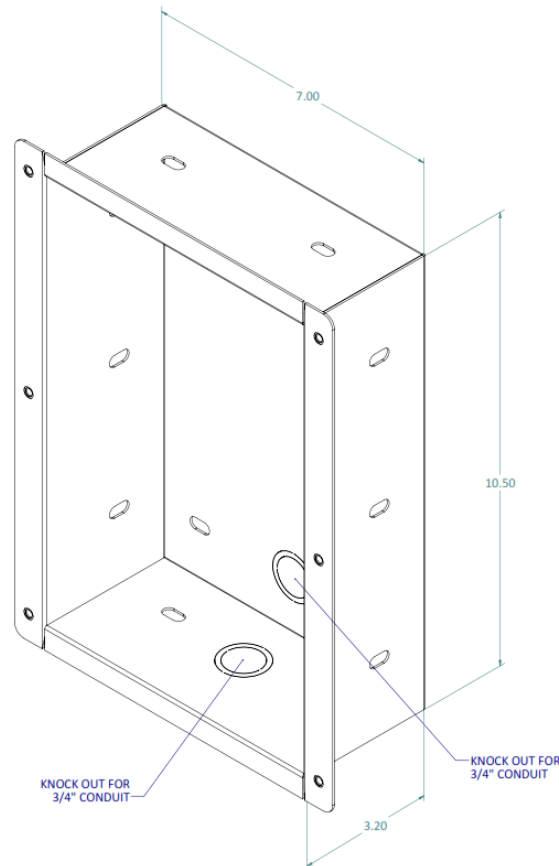


Figure 4. Location of knockouts.

- Install the Call Station to the **MS-600** flush mounting sleeve using the six (6) tamper resistant screws that were provided with the Call Station. See **Figure (5)**.

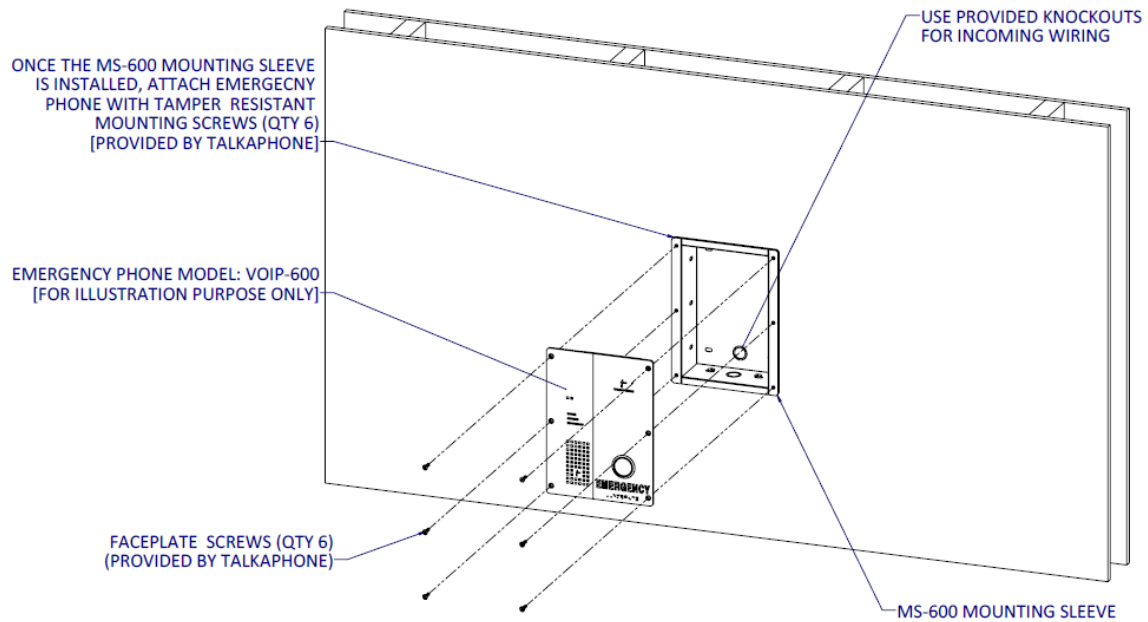


Figure 5. Installation of a Call Station into the **MS-600** flush mounting sleeve.