

**MS-600**  
**Flush Mounting Sleeve**

**Description**

Talkaphone's **MS-600** is a mounting sleeve for flush mounting VOIP-500 and VOIP-600 Series Call Stations.

**Features**

- Allows for easy mounting of VOIP-500, VOIP-600, ETP-100, ETP-400, ETP-500 and ETP-600 Series Call Stations.
- Conduit entry from bottom or rear

**Specifications**

Dimensions (W x D x H): 8.50 x 11.50 x 3.20 in. (216 x 292 x 81 mm)

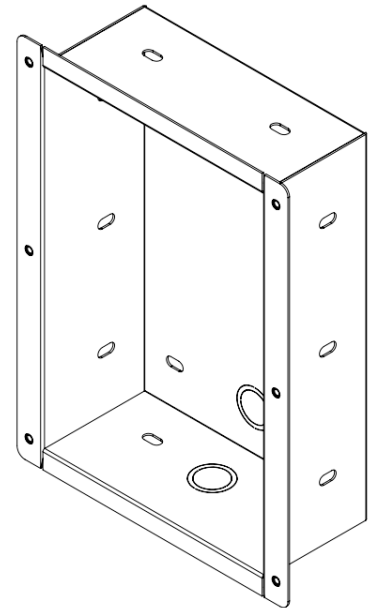
Weight: 3.6 lbs. (1.6 kg)

Construction: Cold rolled steel

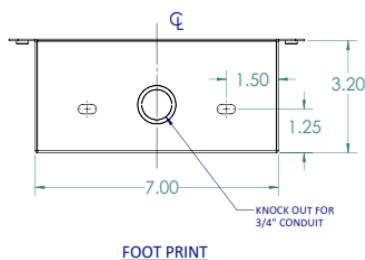
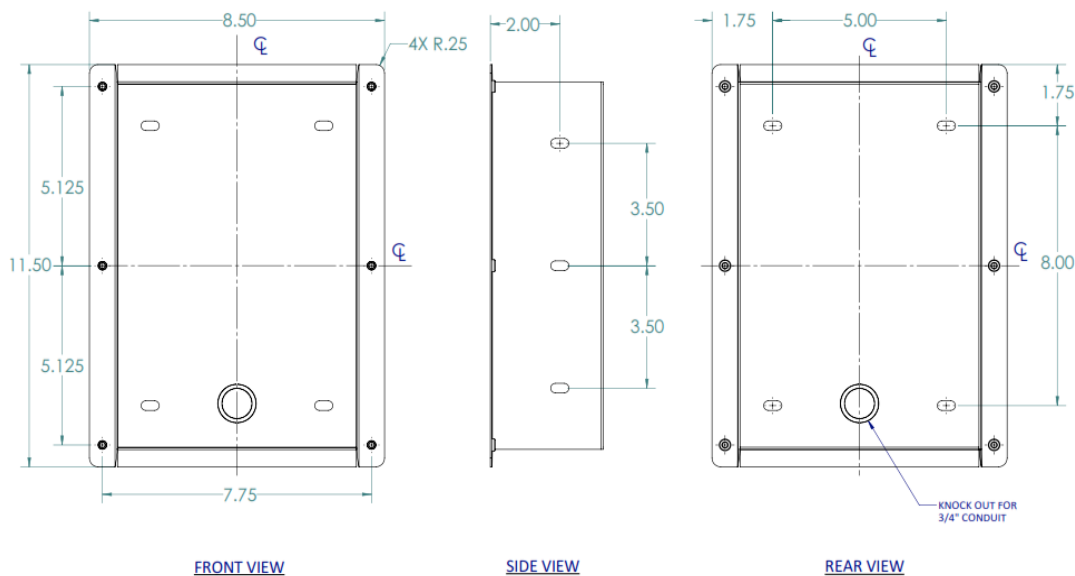
Conduit Entry: Knock out on bottom and rear for 0.75" conduit

Mounting: Flush mounts into a wall or surface

Warranty: 2-year warranty



**Dimensional Diagram**



All dimensions are in inches and are provided for reference only.