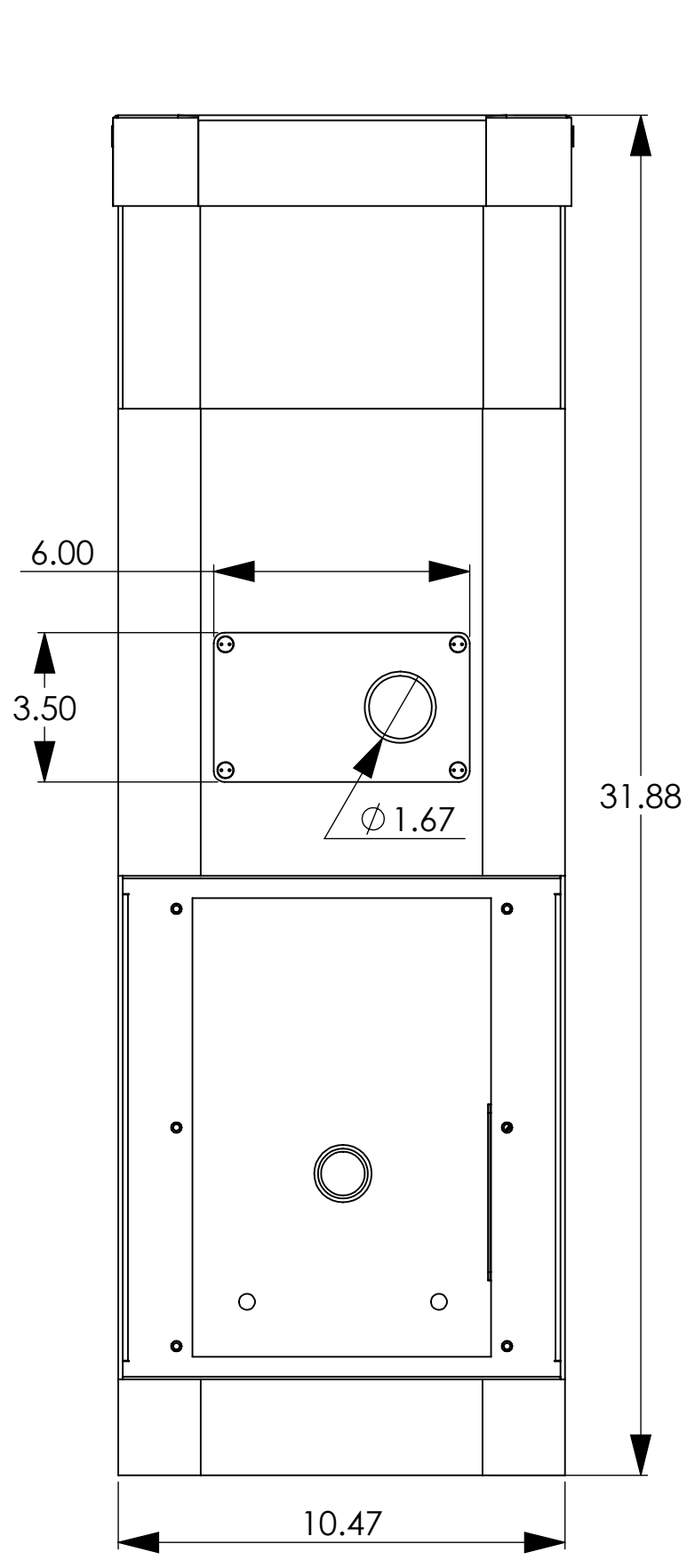
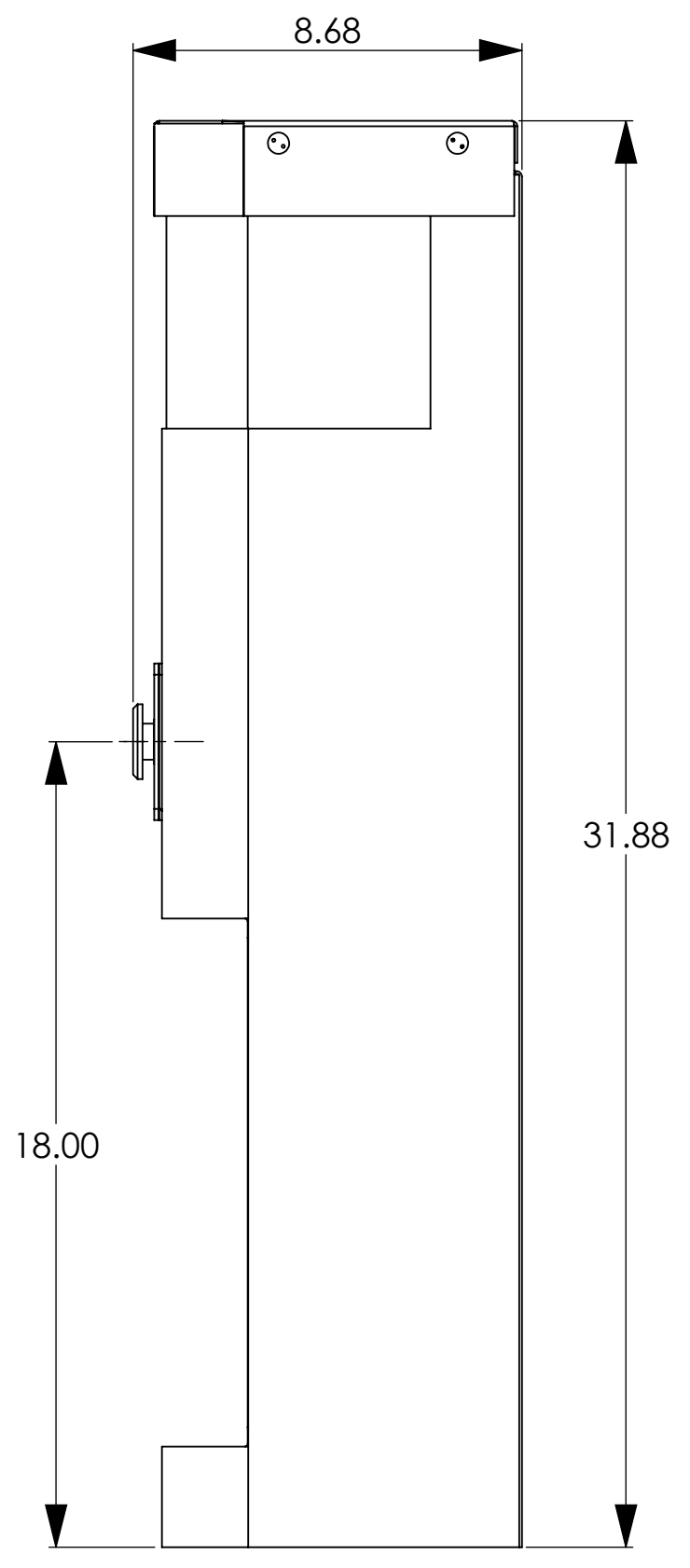


GENERAL NOTES:

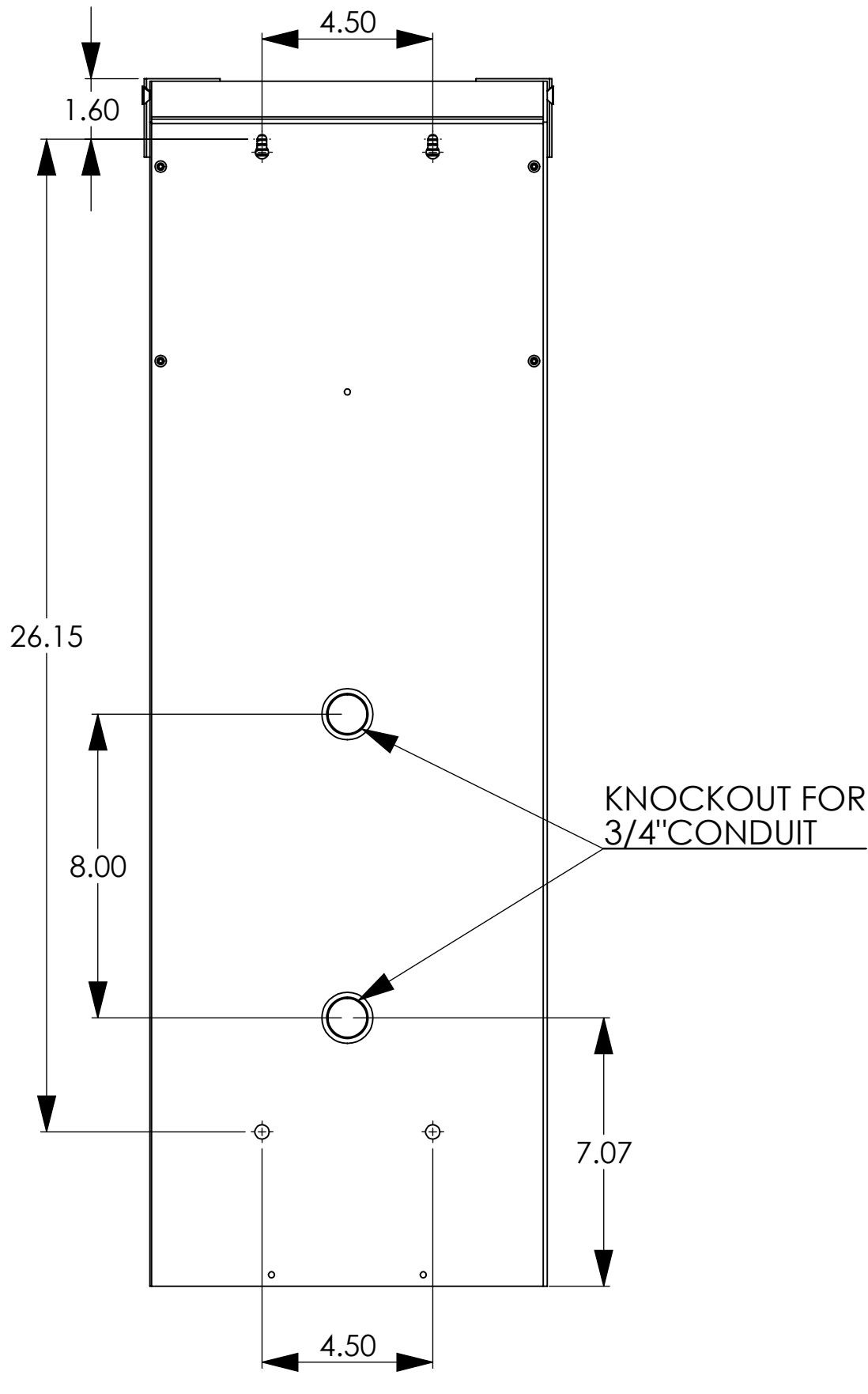
REVISIONS			
REV.	DESCRIPTION	DATE	APPROVED
1.0	PRODUCTION RELEASE	03/06/2012	K. PATEL



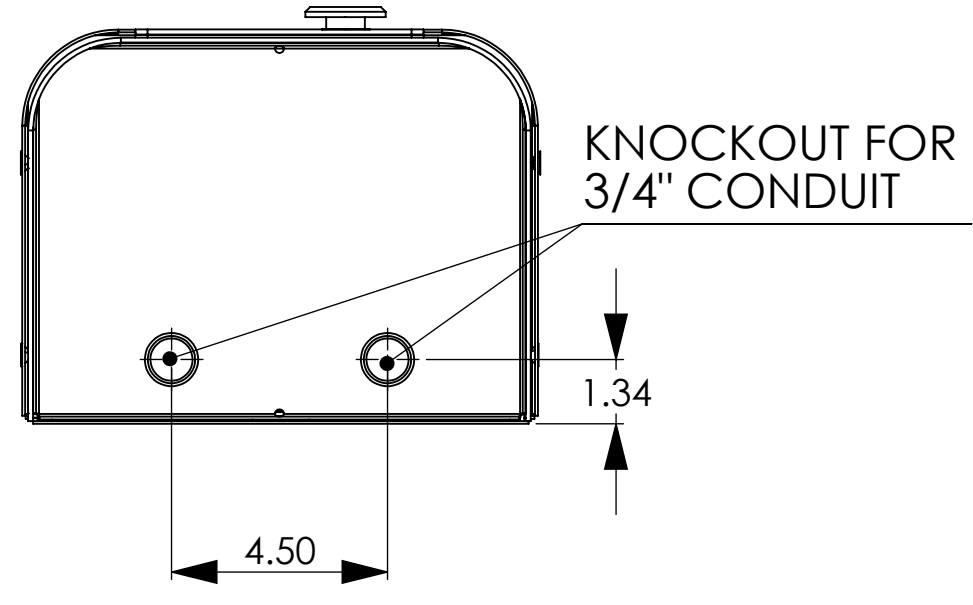
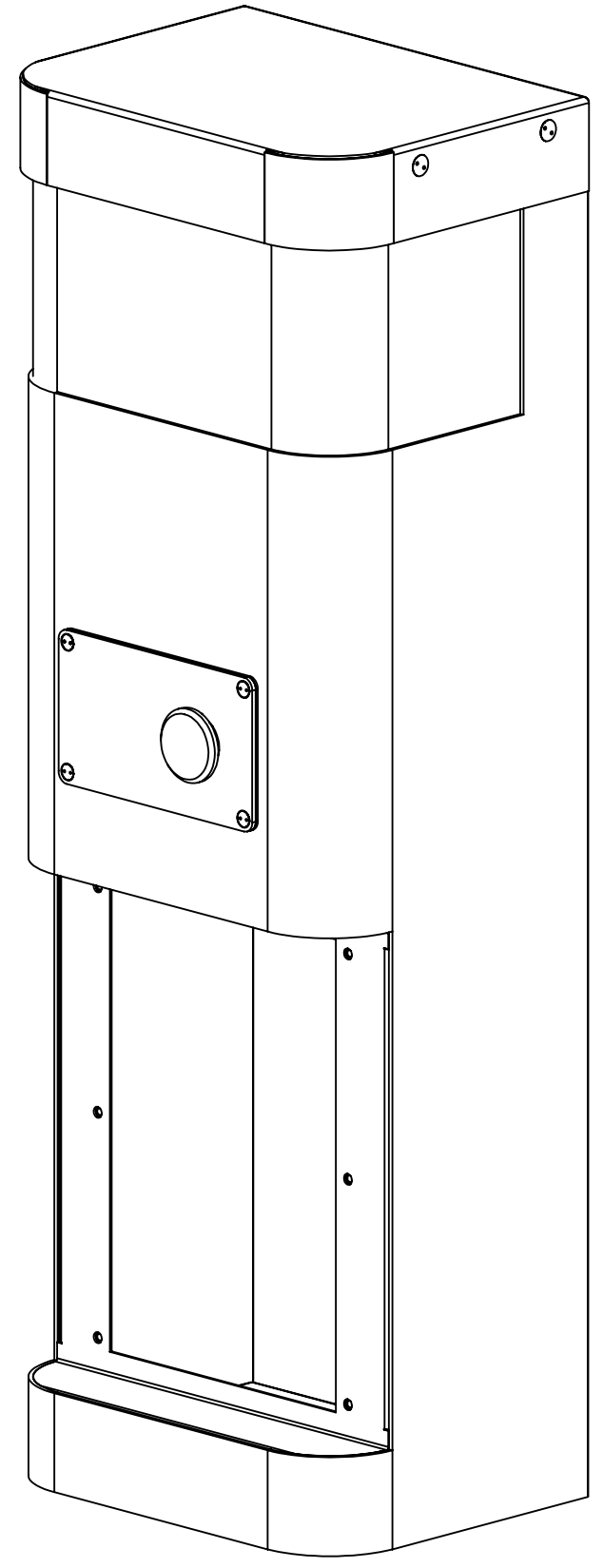
FRONT VIEW



SIDE VIEW



REAR VIEW



BOTTOM VIEW

UNLESS OTHERWISE SPECIFIED:	NAME	DATE
DIMENSIONS ARE IN INCHES	DRAWN K PATEL	3/6/12
TOLERANCES:	CHECKED J HNILO	10/29/13
DRILL HOLE -0.00 / +0.003	ENG APPR.	
ANGULAR: MACH ± BEND ±2°	MFG APPR.	
TWO PLACE DECIMAL ±0.02	Q.A.	
THREE PLACE DECIMAL ±0.005	COMMENTS:	
INTERPRET GEOMETRIC TOLERANCING PER: ASME Y14.5		
MATERIAL		
FINISH		
DO NOT SCALE DRAWING		

TALKAPHONE
 7530 N. NATCHEZ AVE.
 NILES, IL 60714
 WWW.TALKAPHONE.COM

PROPRIETARY AND CONFIDENTIAL
 THE INFORMATION CONTAINED IN THIS DRAWING IS THE SOLE PROPERTY OF TALK-A-PHONE COMPANY. ANY REPRODUCTION IN PART OR AS A WHOLE WITHOUT THE WRITTEN PERMISSION OF TALK-A-PHONE COMPANY IS PROHIBITED.

SIZE	P/N:	REV.
C	DWG. NO:	1.0
	DWG. TITLE:	ETP-WM-TPK
	WEIGHT:	SHEET 1 OF 1