

ETP-PMD – Dual Faceplate Pedestal Mount



ETP-PMD shown with ETP-400K and 25141 blank stainless faceplate

Description

Free standing Dual Faceplate Pedestal Mount allows an Emergency/Information or Access phone to be mounted practically anywhere. An additional faceplate allows a card reader, camera, directory or other device to be mounted above the phone.

Features

- Constructed of vandal resistant 1/4" steel with slanted top
- Pedestal features 2" radius corners, offering contemporary architectural styling
- Easily mount any 400-Series or 500-Series Talk-A-Phone Emergency/Information Phone
- Faceplates are lit at all times by ultra bright LEDs
- Secondary plate available in stainless or aluminum for mounting directories, cameras, card readers and other devices
- Available in a variety of colors with optional wording on the sides

Specifications

Dimensions: 12.0(305) W x 8.0(203) D x 60.1(1527) H in(mm)
 Weight: 180 lbs. (81.6 kg)
 Construction: 0.25" (6.3mm) steel with multi-coat rust inhibitive coating
 Lettering: 3.25" (82.5mm) high reflective letters, available in many colors and wordings
 Lighting: Ultra bright LEDs, 50,000 hour lifetime
 Power: Faceplate Light: 1.2 watts, 12-120VAC/DC
 Emergency Phone: **ETP-400** Series Phones (sold separately), powered by a phone line;
VOIP-500 Series Phones (sold separately), powered by 12VDC, 24VAC/DC or PoE
 Mounting: Mounts into concrete foundation using included hardware (shipped in advance)

Options

| ETP-PMD Configuration | Emergency Phone | Wireless Option | Faceplate Camera Option | Pedestal Options |
|-----------------------|-------------------------|----------------------------------|------------------------------------------------------------------------------------------------------------|----------------------------------------------------------------------------------------------------------------------------------------------------------|
| Analog Connectivity | 400 Series Analog Phone | ETP-CI (cellular) | Add "-OP3" to any Emergency/ Information Phone for an integrated color camera mounted behind the faceplate | Stainless Option: Model ETP-PMD-SS is made of 3/16" brushed stainless steel |
| IP Connectivity | 500 Series VoIP Phone | VOIP-RF (2.4GHz radio frequency) | | Single Opening Option: Model ETP-PM (12"W x 8"D x 48"H) is 4 feet tall and has room for one hands-free phone or other device (wireless option) |

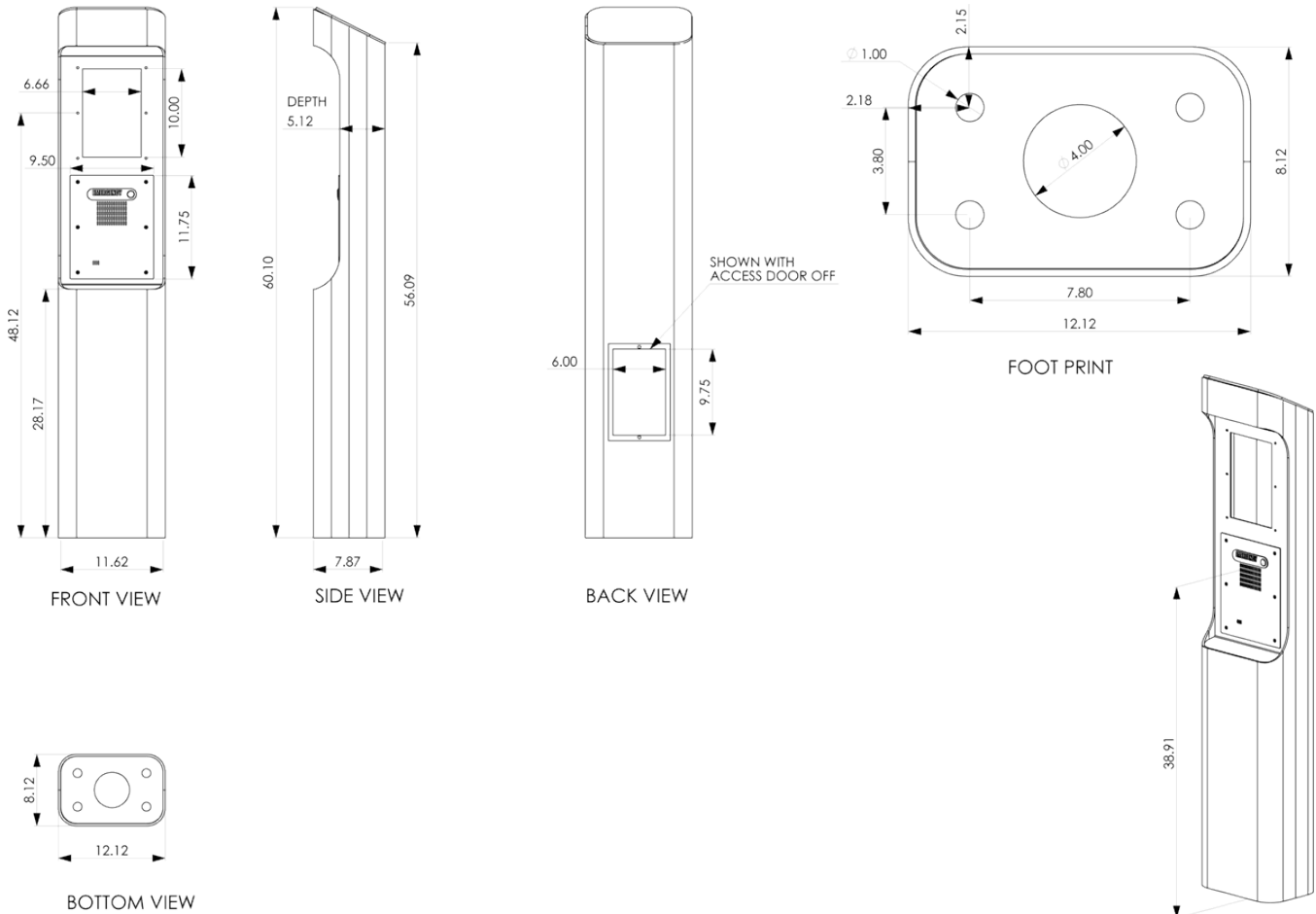
Copyright 2010 Talk-A-Phone Co. All rights reserved.

ETP-PMD – Dual Faceplate Pedestal Mount

Accessories

Blank Stainless Plate: Model **25141** is a blank stainless faceplate for mounting additional devices
Blank Aluminum Plate: Model **25155** is a blank aluminum faceplate for mounting additional devices

Dimensional Diagram



All dimensions are in inches

Copyright 2010 Talk-A-Phone Co. All rights reserved.

Talk-A-Phone Co. • 7530 North Natchez Avenue • Niles, Illinois 60714-3804
Phone 773.539.1100 • Fax 773.539.1241 • info@talkaphone.com • www.talkaphone.com
All prices and specifications are subject to change without notice.
Talk-A-Phone, Talk-A-Lert, Scream Alert and WEBS are registered trademarks of Talk-A-Phone Co.