



THIS PRODUCT MUST BE INSTALLED IN ACCORDANCE WITH THE APPLICABLE INSTALLATION CODE BY A PERSON FAMILIAR WITH THE CONSTRUCTION AND OPERATION OF THE PRODUCT AND THE HAZARDS INVOLVED

CE PRODUIT DOIT ÊTRE INSTALLÉ SELON LE CODE D'INSTALLATION PERTINENT, PAR UNE PERSONNE QUI CONNAÎT BIEN LE PRODUIT ET SON FONCTIONNEMENT AINSI QUE LES RISQUES INHÉRENTS

I. Introduction

These guidelines for installation apply to the following tower model series:

ETP-MT Series
ETP-MTE Series
ETP-MT/R Series
WEBS-MT/R Series

For instructions on installing the anchor bolts into the foundation, see the **ETP-MT Anchor Bolt Installation Instructions** or **ETP-PDMK Instructions** for Parking Deck Mounting Kits.

II. Core Tower Installation Overview – For ETP-MT, ETP-MT/R, and WEBS-MT/R Series

Prior to installation of the tower, please ensure that appropriate site preparations are made. Such preparations include provisioning telephone/data connectivity, primary power, etc. Please consider the following steps for installation of the core tower structure:

1. After removing the tower from its shipping carton, install one 3/4-inch nut and one washer on each anchor bolt at approximately 2.5 to 3.5 inches above grade to the top of the washer.

This will provide a 1/2-inch air gap between the foundation and the base of the tower. This air gap will allow for proper airflow and drastically reduce internal condensation or moisture issues.

Verify that the nuts are level (0° pitch).

2. Pass a nylon strap (not provided by Talkaphone) through the top of the tower and out from the call station opening. Attach both ends of the strap to the lifting equipment so that the tower is upright when lifted off the ground.
3. After removing the cover plate from the tower's rear access opening, install the tower onto the anchor bolts with the call station opening oriented in the desired direction.

Install the second set of nuts and washers as shown in **Figure (1)** below. Tighten the upper nuts; the bottom set is only for leveling.

IMPORTANT NOTE:

Installation must comply with all national, state, and local construction and electrical codes.

III. Core Tower Installation Overview – For ETP-MTE Series

Prior to installation of the tower, please ensure that appropriate site preparations are made. Such preparations include provisioning telephone/data connectivity, primary power, etc. Please consider the following steps for installation of the core tower structure:

1. After removing the tower from its shipping carton, install one 3/4-inch nut and one washer on each anchor bolt at approximately 2.5 to 3.5 inches above grade to the top of the washer.

This will allow for a 1/2-inch air gap between the foundation and the base of the tower. This air gap will allow for proper airflow and drastically reduce internal condensation or moisture issues.

Verify that the nuts are level (0° pitch).

2. Then it is recommended that two (2) people lift the tower and place it onto the anchor bolts with the call station opening oriented in the desired direction.
3. After removing the cover plate from the tower's rear access opening, install a second set of nuts and washers as shown in **Figure (1)** below.

Tighten the upper nuts; the bottom set is only for leveling.

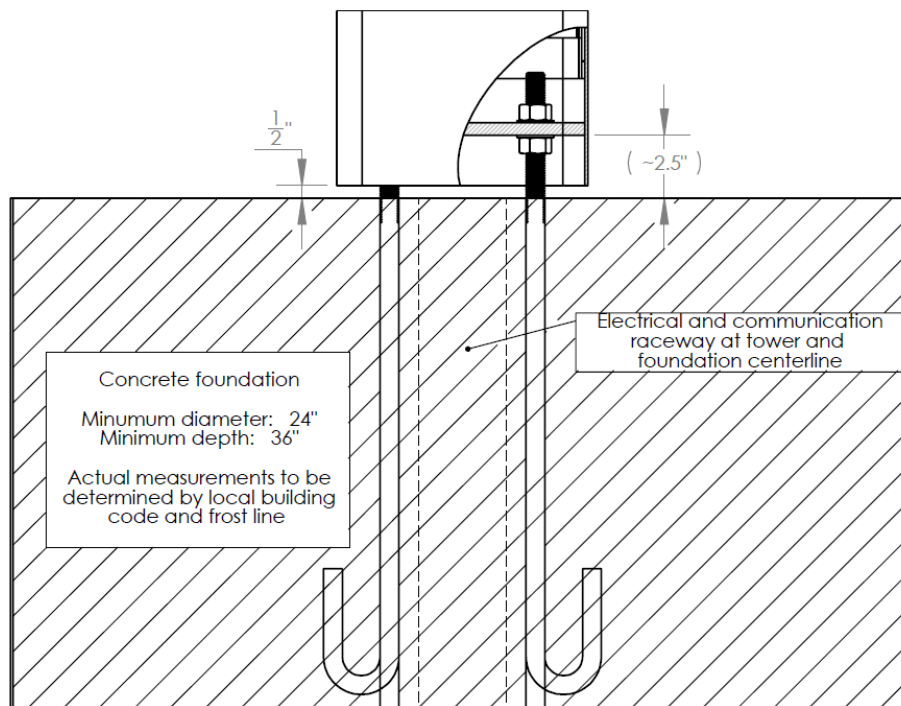
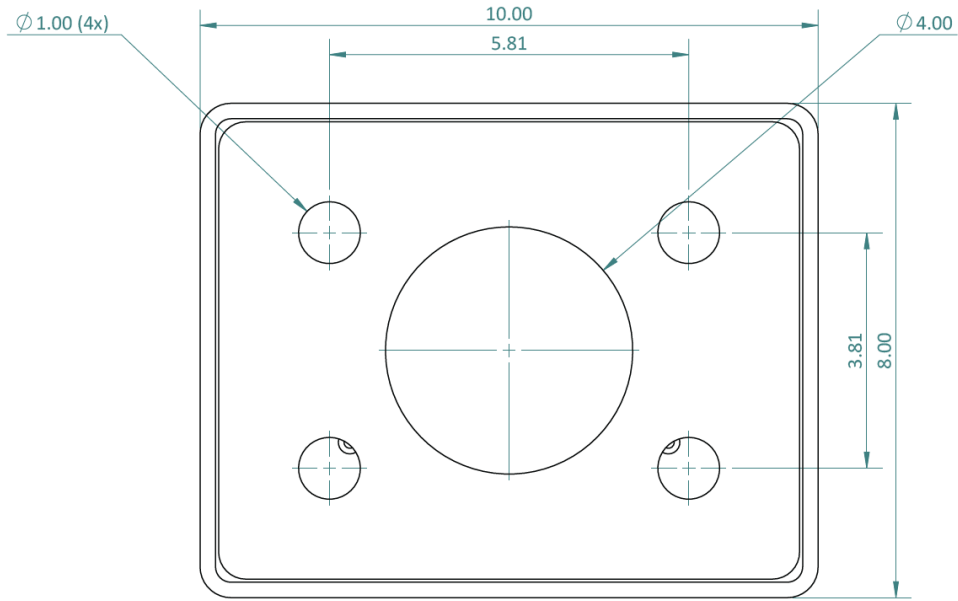


Figure 1. Tower anchor bolt foundation installation guideline.

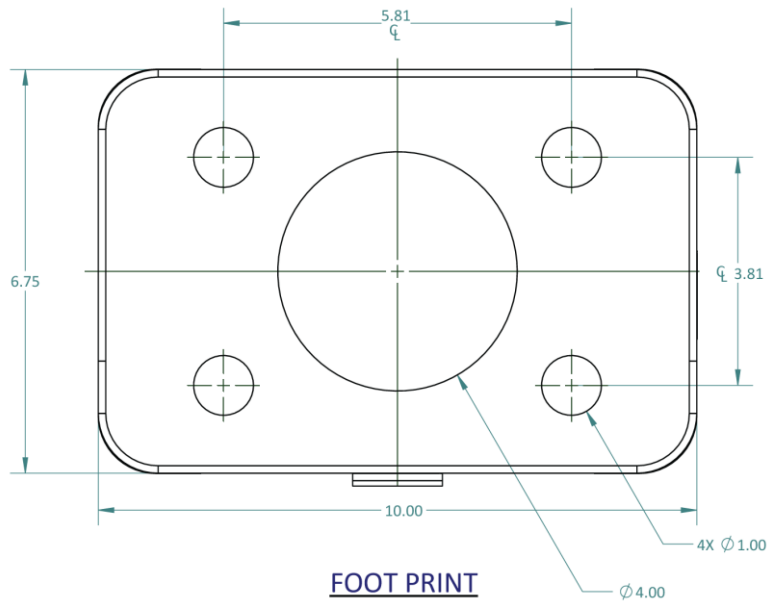
IMPORTANT NOTE:

Installation must comply with all national, state, and local construction and electrical codes.



FOOT PRINT

Figure 2. ETP-MT Series Tower base plate dimensions and mounting hole pattern.



FOOT PRINT

Figure 3. ETP-MTE Series Tower base plate dimensions and mounting hole pattern.

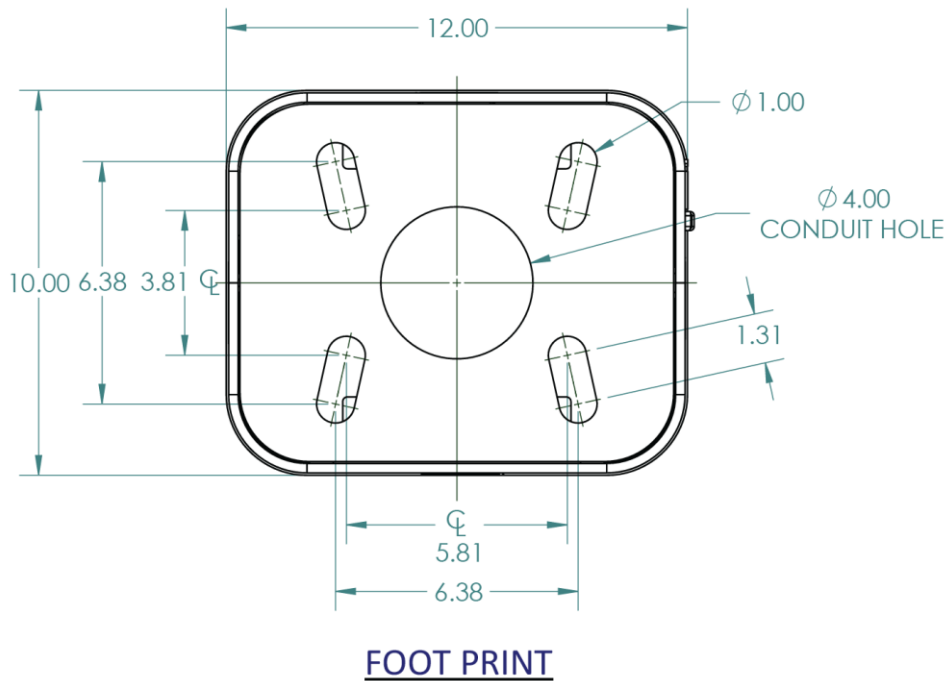


Figure 4. ETP-MT/R Series Tower base plate dimensions and mounting hole pattern.

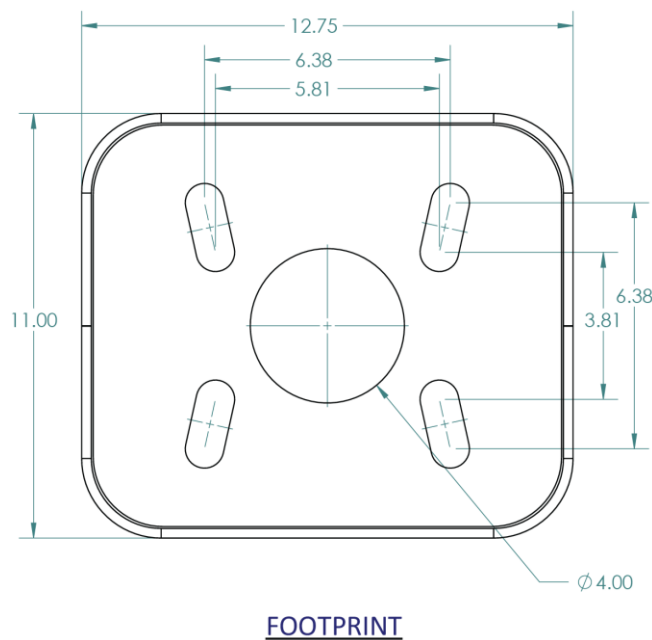


Figure 5. WEBS-MT/R Series Tower base plate dimensions and mounting hole pattern.

IMPORTANT NOTE:

Installation must comply with all national, state, and local construction and electrical codes.