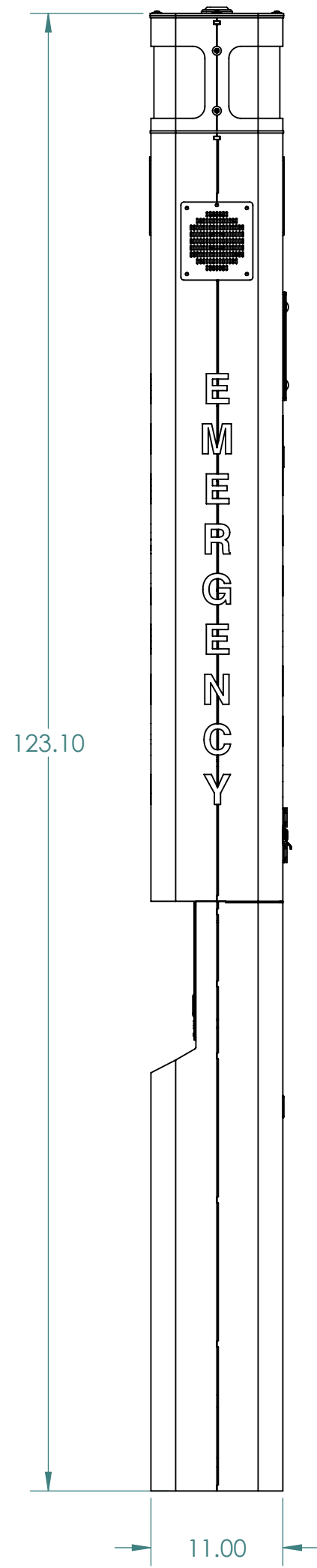
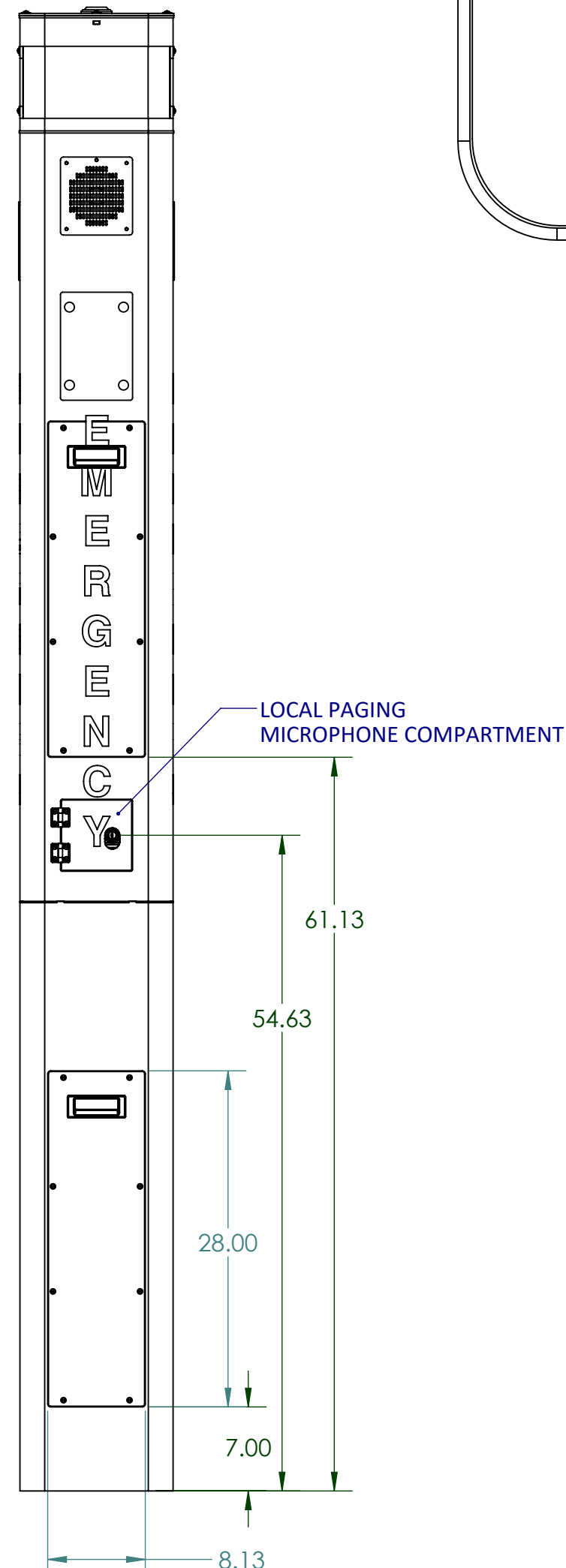


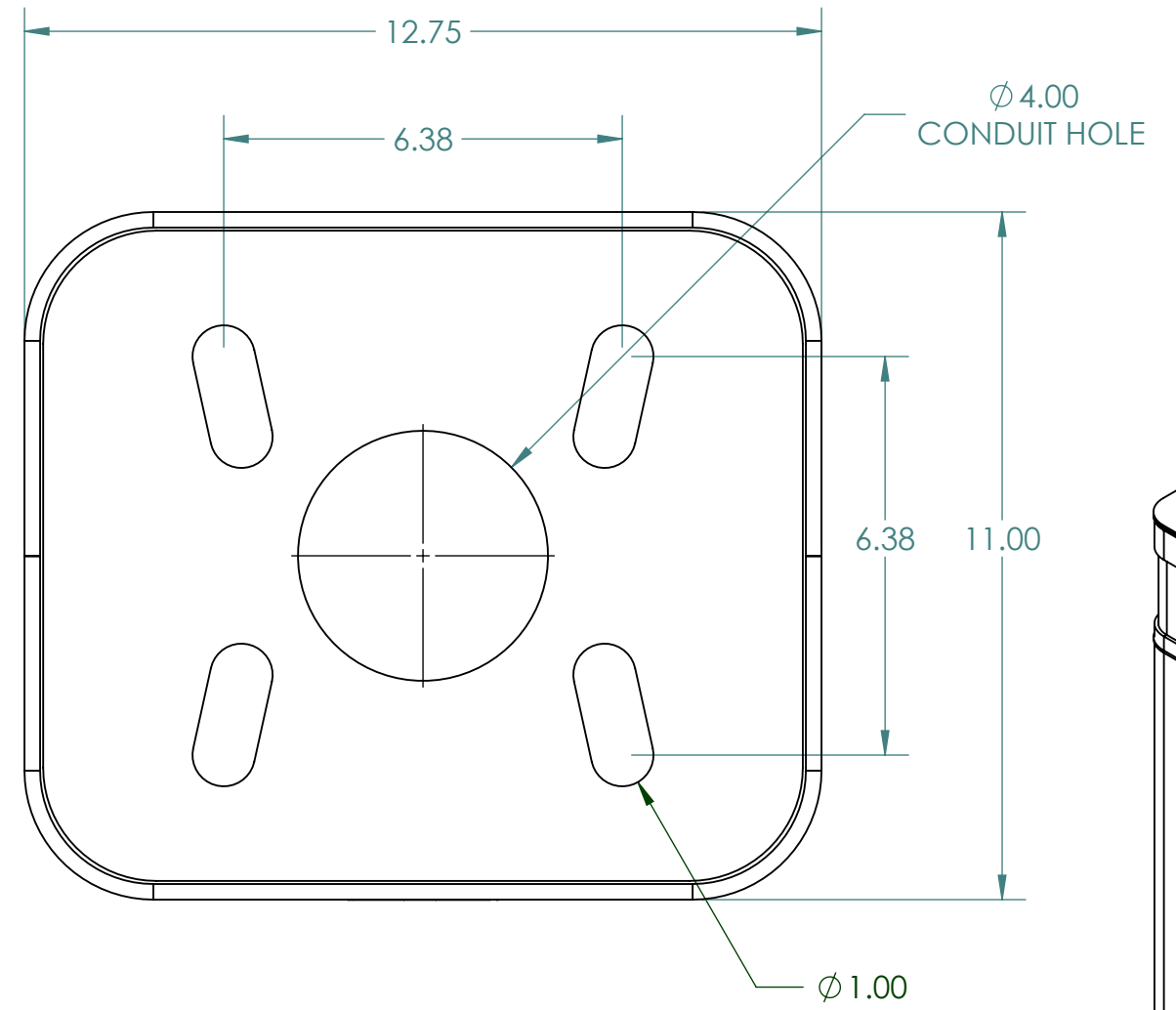
**FRONT VIEW**



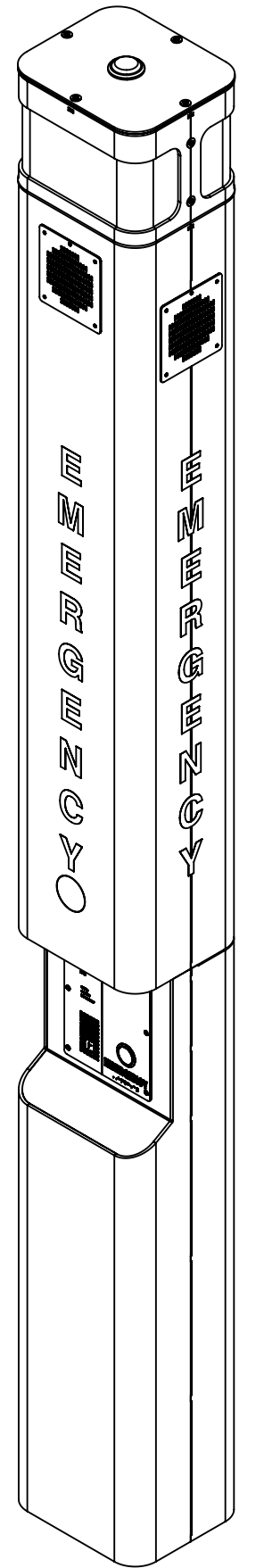
**SIDE VIEW**



**REAR VIEW**



**FOOT PRINT**

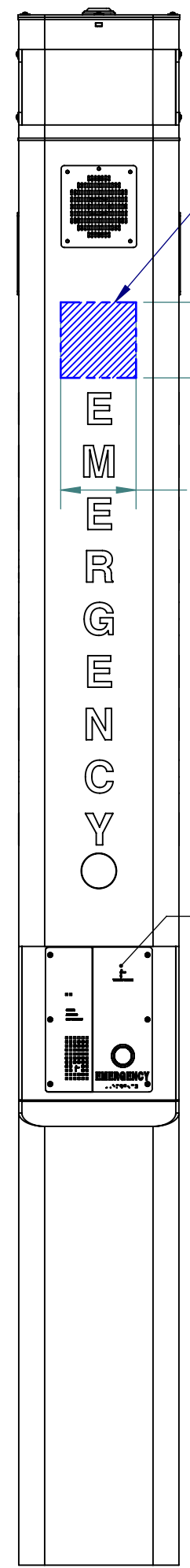


**ISOMETRIC VIEW**

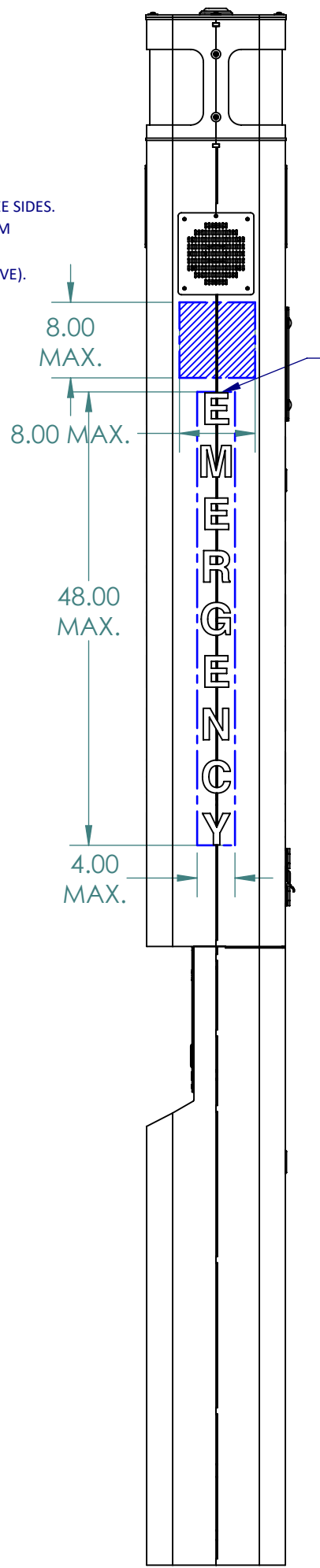
1.0	MARKETING RELEASE	12/29/2016	M OBAL
REV.	DESCRIPTION	DATE	APPROVED
REVISIONS			
	NAME	DATE	
DRAWN	M OBAL	12/29/2016	
CHECKED	K PATEL	12/29/2016	
ENG APPR.			
MFG APPR.			
Q.A.			
COMMENTS:			
 <b>TALKAPHONE</b> TALK-A-PHONE CO. 7530 N. NATCHEZ AVE. NILES, IL 60714 WWW.TALKAPHONE.COM		DWG. NO. SIZE PART NO. WEBS-MTR-OP2 REV <b>C</b> DWG. TITLE: WEBS-MTR SERIES <b>1.0</b> SCALE: 1:12 WEIGHT: 444.07 SHEET 1 OF 3	

**FINISH**

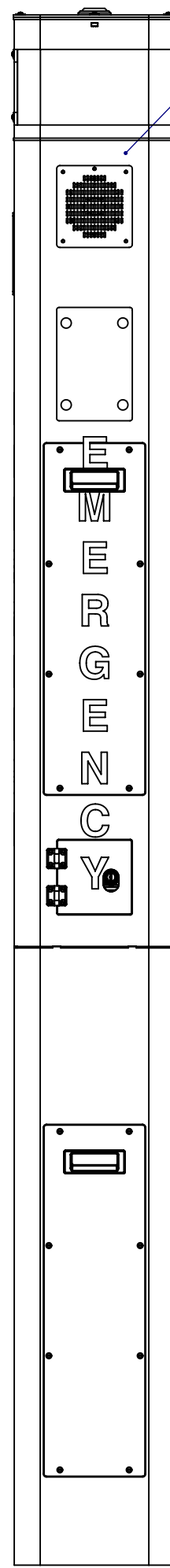
**PROPRIETARY AND CONFIDENTIAL**  
 THE INFORMATION CONTAINED IN THIS DRAWING IS THE SOLE PROPERTY OF TALK-A-PHONE COMPANY. ANY REPRODUCTION IN PART OR AS A WHOLE WITHOUT THE WRITTEN PERMISSION OF TALK-A-PHONE COMPANY IS PROHIBITED.



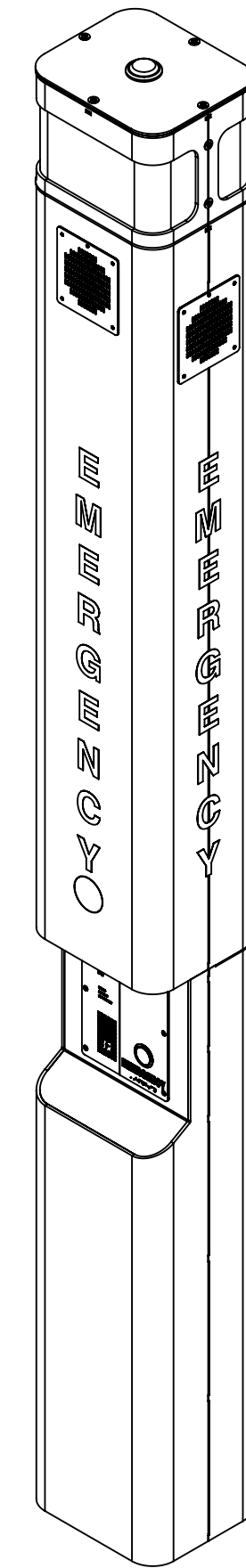
**FRONT VIEW**



**SIDE VIEW**



**REAR VIEW**



**ISOMETRIC VIEW**

**OPTIONAL SIGNAGE:**  
OPTIONAL SIGNAGE ON THREE SIDES.  
AVAILABLE AREA FOR CUSTOM  
GRAPHICS (NON-REFLECTIVE)  
AND/OR VERBIAGE (REFLECTIVE).

8.00 MAX.

8.00 MAX.

SHOWN WITH  
VOIP-600 SERIES CALL STATION  
FOR ILLUSTRATION PURPOSES ONLY

12.75

**STANDARD SIGNAGE:**  
SIGNAGE ON FOUR SIDES:  
3.5" HIGH REFLECTIVE WHITE "EMERGENCY"  
LETTERING WITH WIDE ANGLE  
VISIBILITY IS STANDARD  
ALSO AVAILABLE WITH  
"ASSISTANCE", "INFORMATION",  
OR CUSTOM LETTERING AND COLORS.

8.00  
MAX.

8.00  
MAX.

48.00  
MAX.

4.00  
MAX.

11.00

**STANDARD FINISH:**  
PAINTED IN SAFETY BLUE COLOR

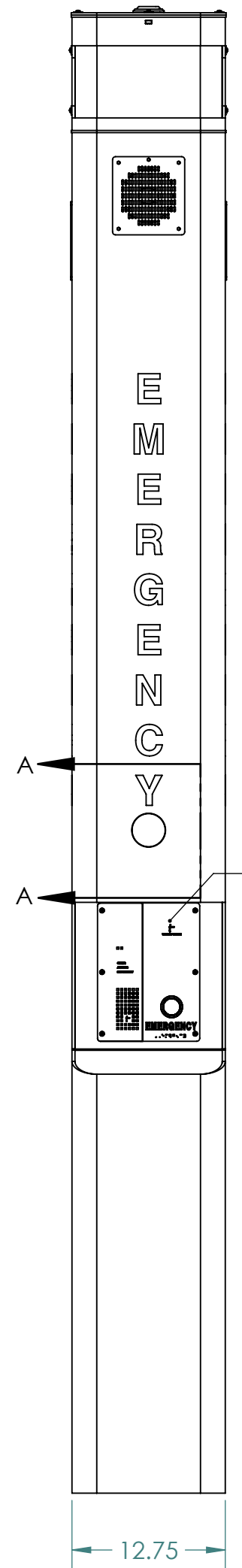
**OPTIONAL FINISH:**  
AVAILABLE PAINTED IN CUSTOM COLORS

	NAME	DATE
DRAWN	M OBAL	12/29/2016
CHECKED	K PATEL	12/29/2016
ENG APPR.		
MFG APPR.		
Q.A.		
COMMENTS:		

**TALKAPHONE**  
TALK-A-PHONE CO.  
7530 N. NATCHEZ AVE. NILES, IL 60714  
WWW.TALKAPHONE.COM

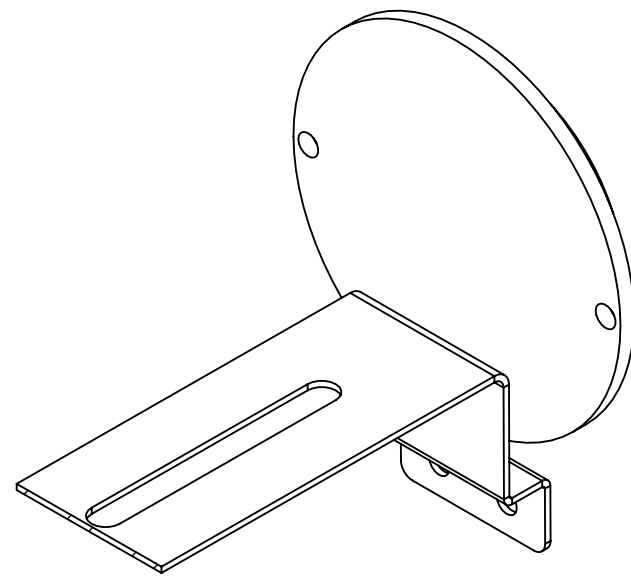
DWG. NO.	SIZE	PART NO.	WEBS-MTR-OP2	REV
	<b>C</b>	DWG. TITLE:	WEBS-MTR SERIES	<b>1.0</b>
	SCALE: 1:12	WEIGHT: 444.07	SHEET 2 OF 3	

**FINISH**  
**PROPRIETARY AND CONFIDENTIAL**  
THE INFORMATION CONTAINED IN THIS  
DRAWING IS THE SOLE PROPERTY OF  
TALK-A-PHONE COMPANY. ANY  
REPRODUCTION IN PART OR AS A WHOLE  
WITHOUT THE WRITTEN PERMISSION OF  
TALK-A-PHONE COMPANY IS PROHIBITED.

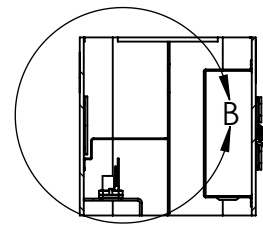


**FRONT VIEW**

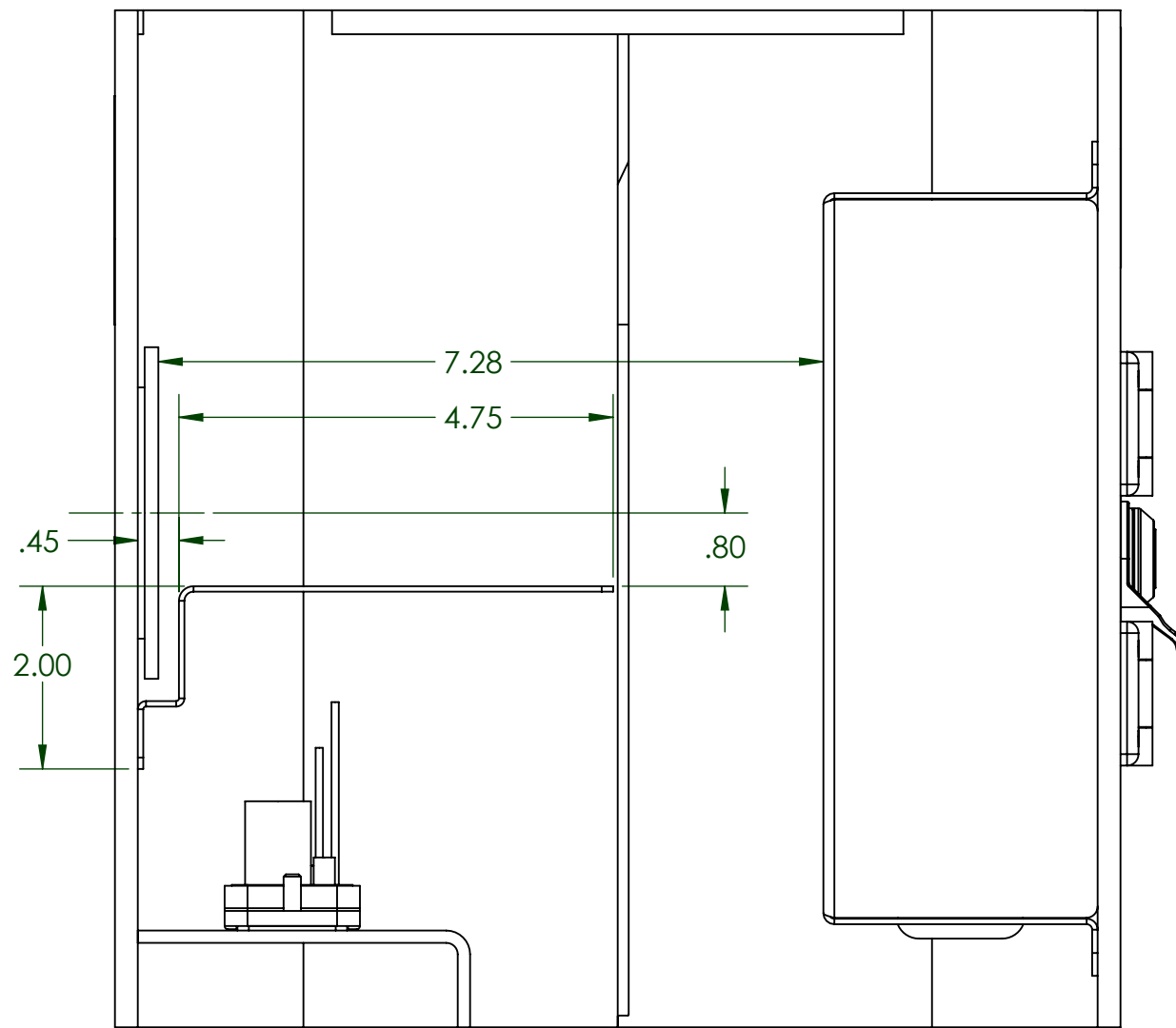
SHOWN WITH  
VOIP-600 SERIES CALL STATION  
FOR ILLUSTRATION PURPOSES ONLY



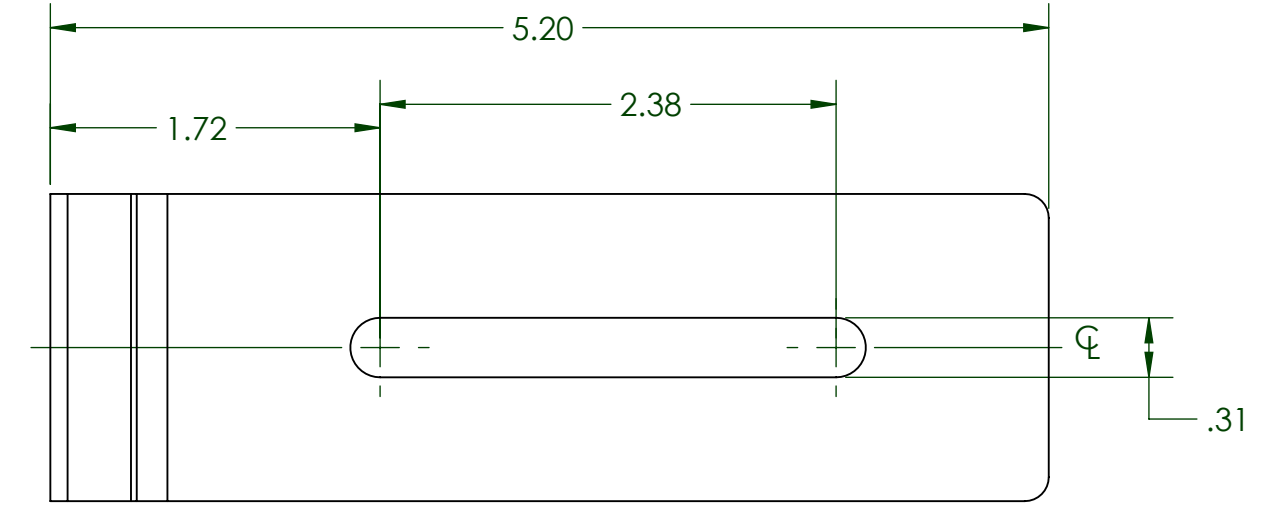
DETAILED VIEW ILLUSTRATING THE MOUNTING  
BRACKET FOR OP2 CAMERA  
SCALE 1 : 1.5



SECTION A-A  
SCALE 1 : 12



DETAIL B  
SCALE 1 : 2



OP2 CAMERA MOUNTING BRACKET

FINISH  
**PROPRIETARY AND CONFIDENTIAL**  
THE INFORMATION CONTAINED IN THIS  
DRAWING IS THE SOLE PROPERTY OF  
TALK-A-PHONE COMPANY. ANY  
REPRODUCTION IN PART OR AS A WHOLE  
WITHOUT THE WRITTEN PERMISSION OF  
TALK-A-PHONE COMPANY IS PROHIBITED.

	NAME	DATE
DRAWN	M OBAL	12/29/2016
CHECKED	K PATEL	12/29/2016
ENG APPR.		
MFG APPR.		
Q.A.		

**TALKAPHONE**  
TALK-A-PHONE CO.  
7530 N. NATCHEZ AVE. NILES, IL 60714  
WWW.TALKAPHONE.COM

DWG. NO.	SIZE	PART NO.	WEBS-MTR-OP2	REV
	<b>C</b>	DWG. TITLE:	WEBS-MTR SERIES	<b>1.0</b>
	SCALE: 1:12	WEIGHT: 444.07	SHEET 3 OF 3	