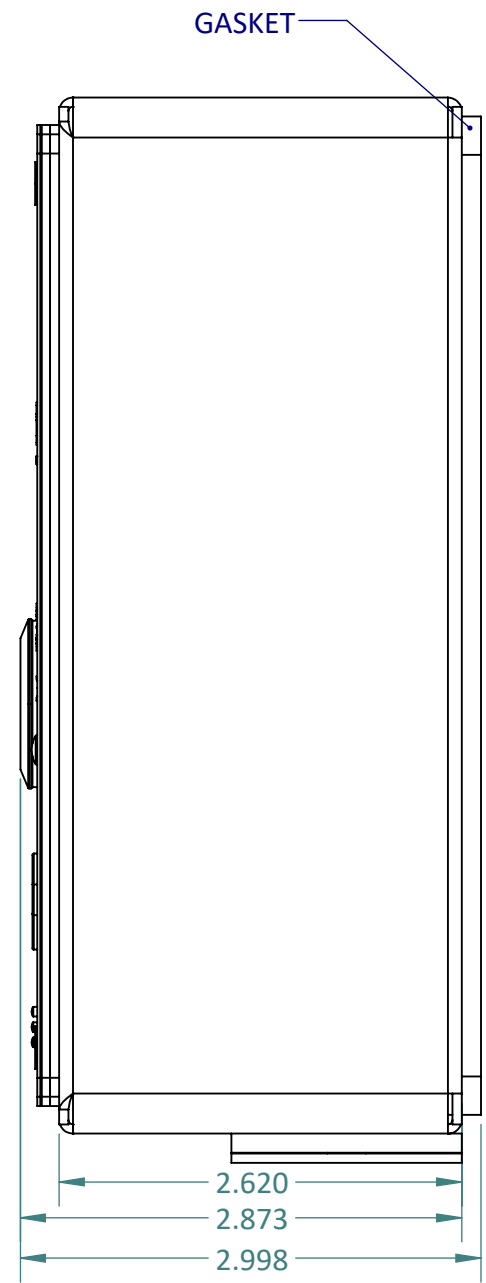
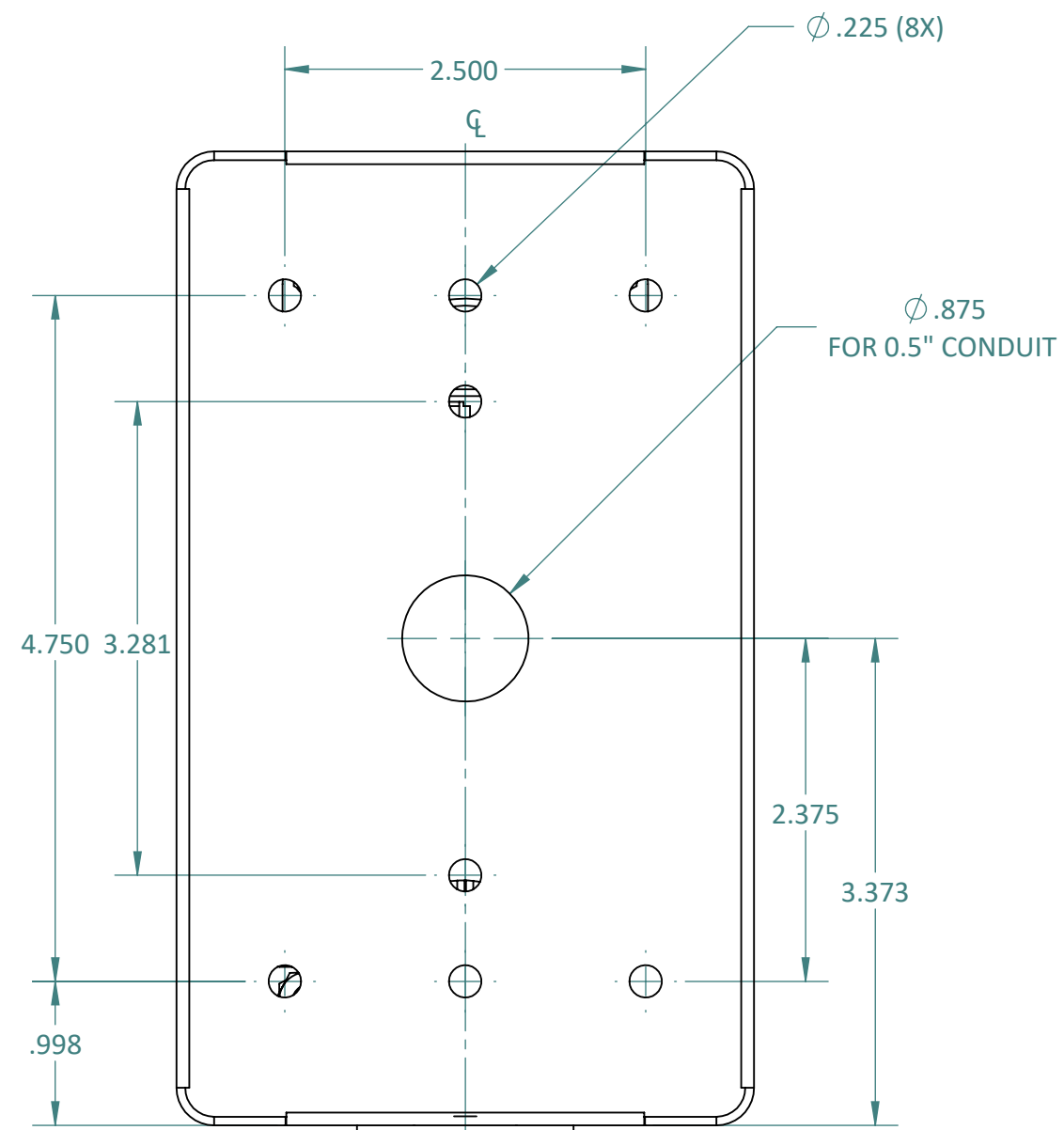


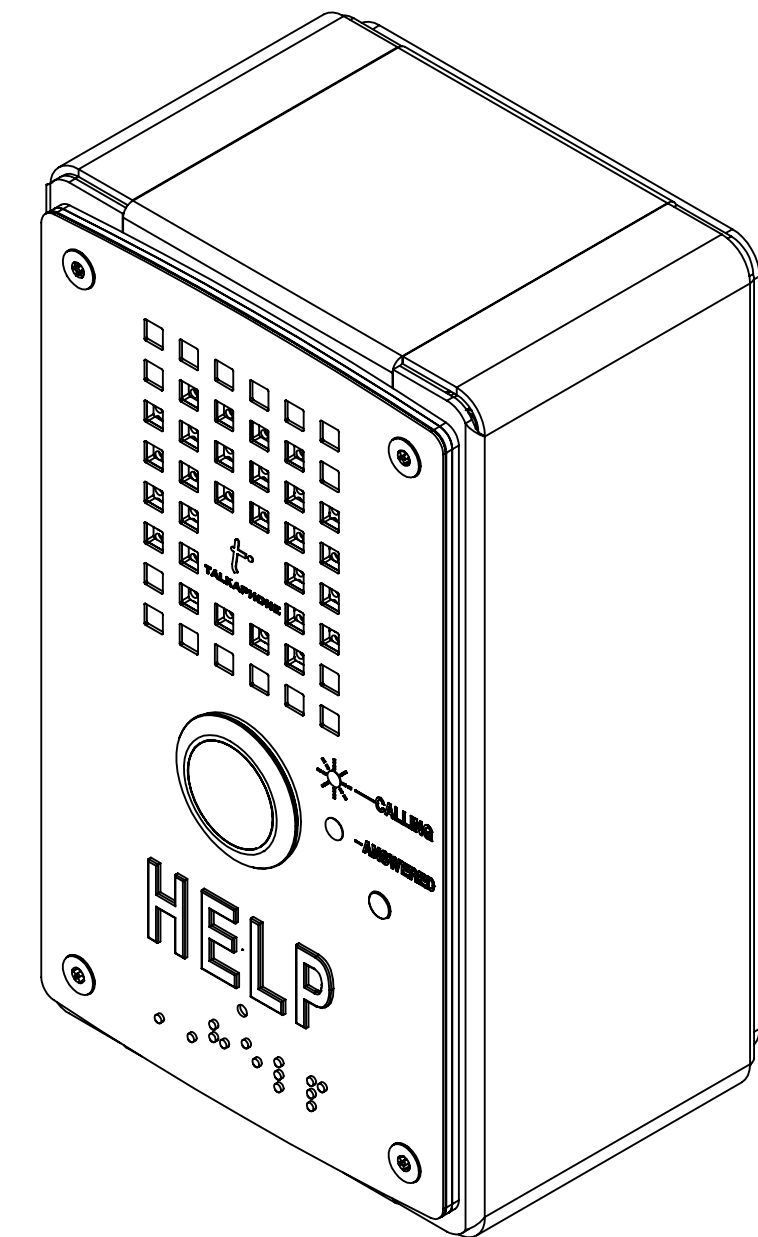
**FRONT VIEW**



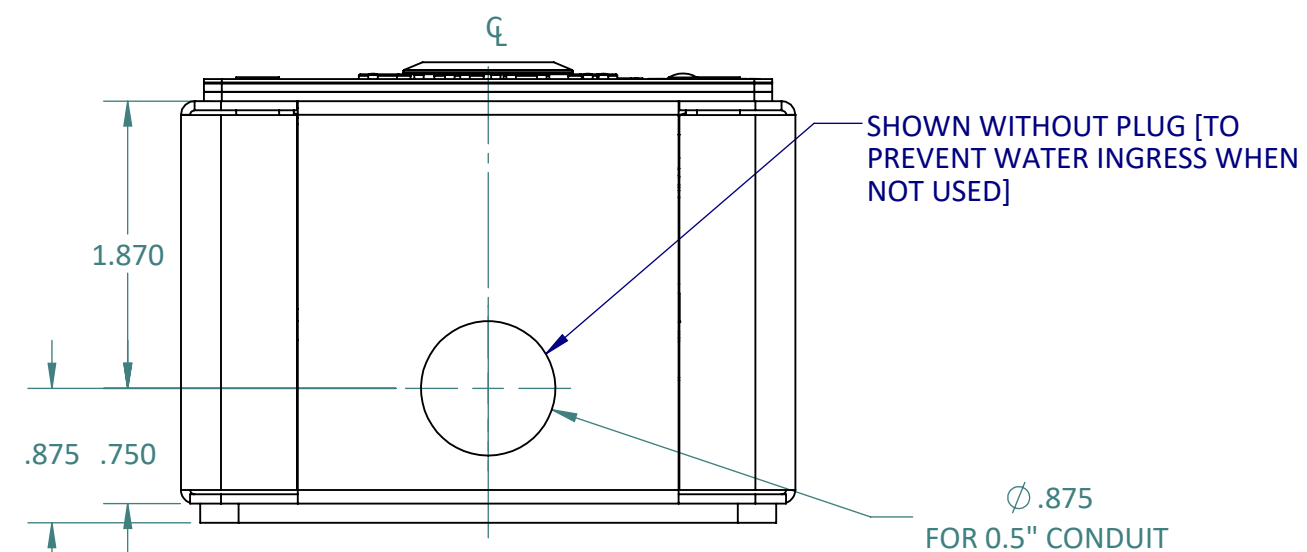
**SIDE VIEW**



**REAR VIEW**



**ISOMETRIC VIEW**



**BOTTOM VIEW**

1.0	MARKETING RELEASE	08/23/2022	N TERECH
REV.	DESCRIPTION	DATE	APPROVED
REVISIONS			
	NAME	DATE	
DRAWN	N TERECH	08/23/2022	
CHECKED	K PATEL	08/23/2022	
ENG APPR.			
MFG APPR.			
Q.A.			
COMMENTS:			DWG. NO.
ALL DIMENSIONS ARE IN INCHES			SCALE: 4:5
SIZE		PART NO. VOIP-221H	REV 1.0
C		DWG. TITLE: VOIP-220 SERIES_HELP_SM	
SCALE: 4:5		WEIGHT:	SHEET 1 OF 1

FINISH

PROPRIETARY AND CONFIDENTIAL  
THE INFORMATION CONTAINED IN THIS DRAWING IS THE SOLE PROPERTY OF TALK-A-PHONE, LLC. ANY REPRODUCTION IN PART OR AS A WHOLE WITHOUT THE WRITTEN PERMISSION OF TALK-A-PHONE, LLC IS PROHIBITED.

