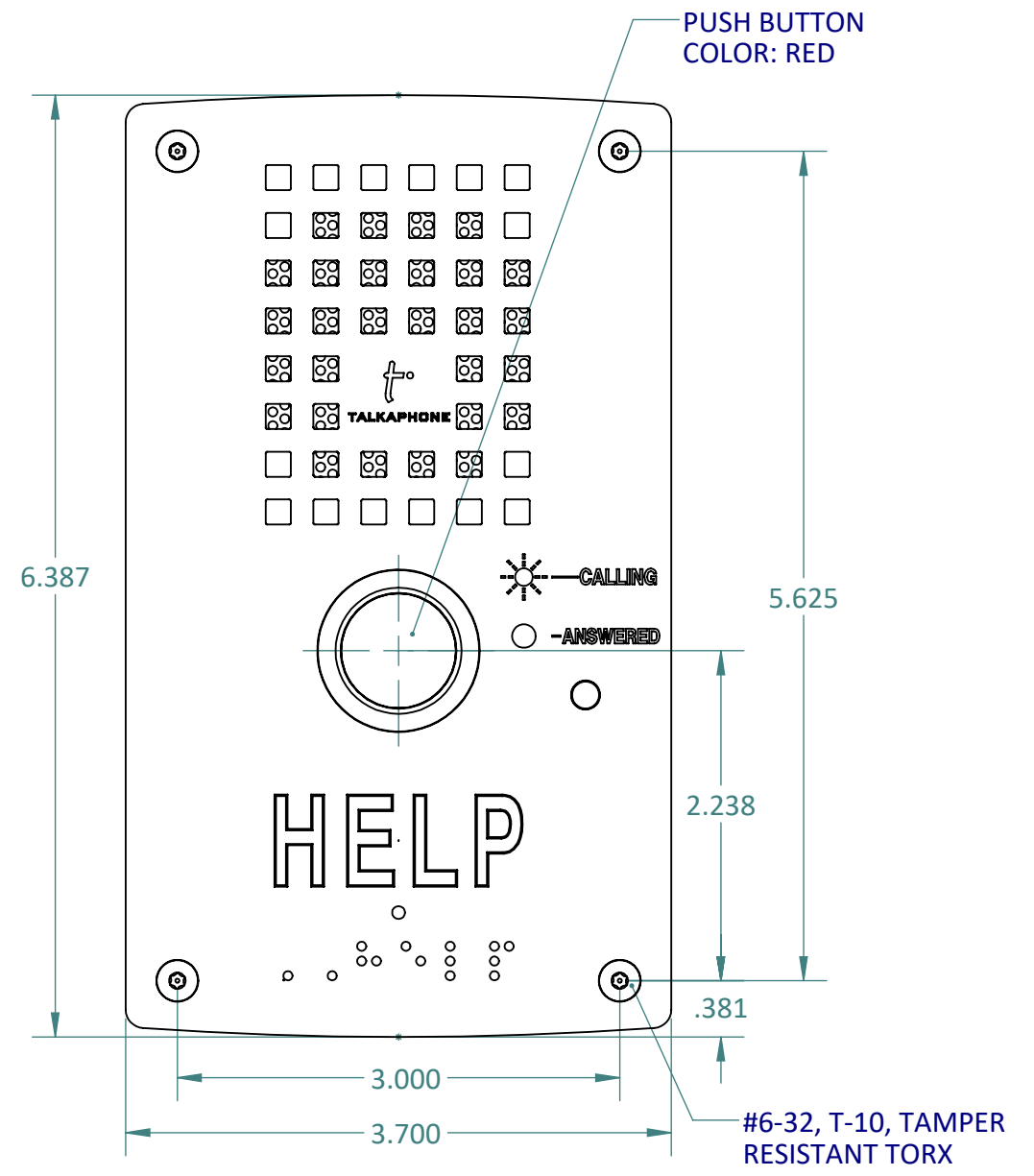
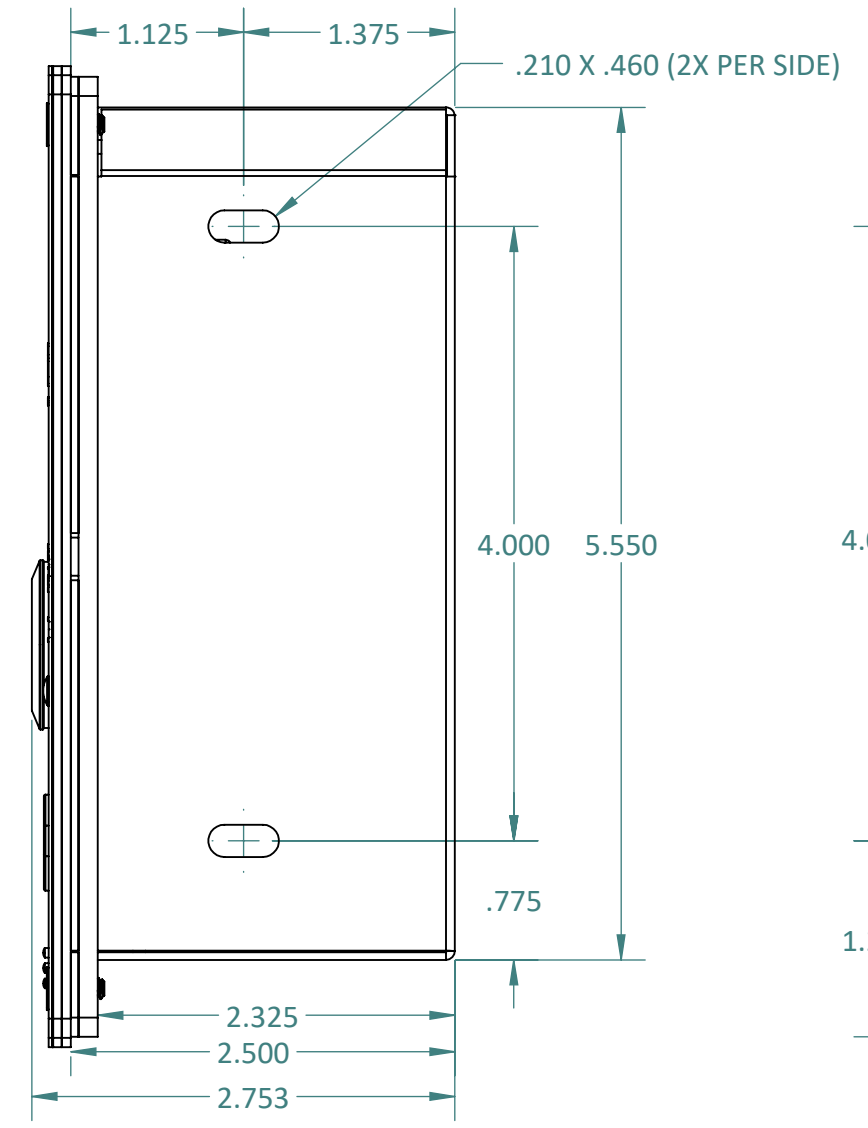


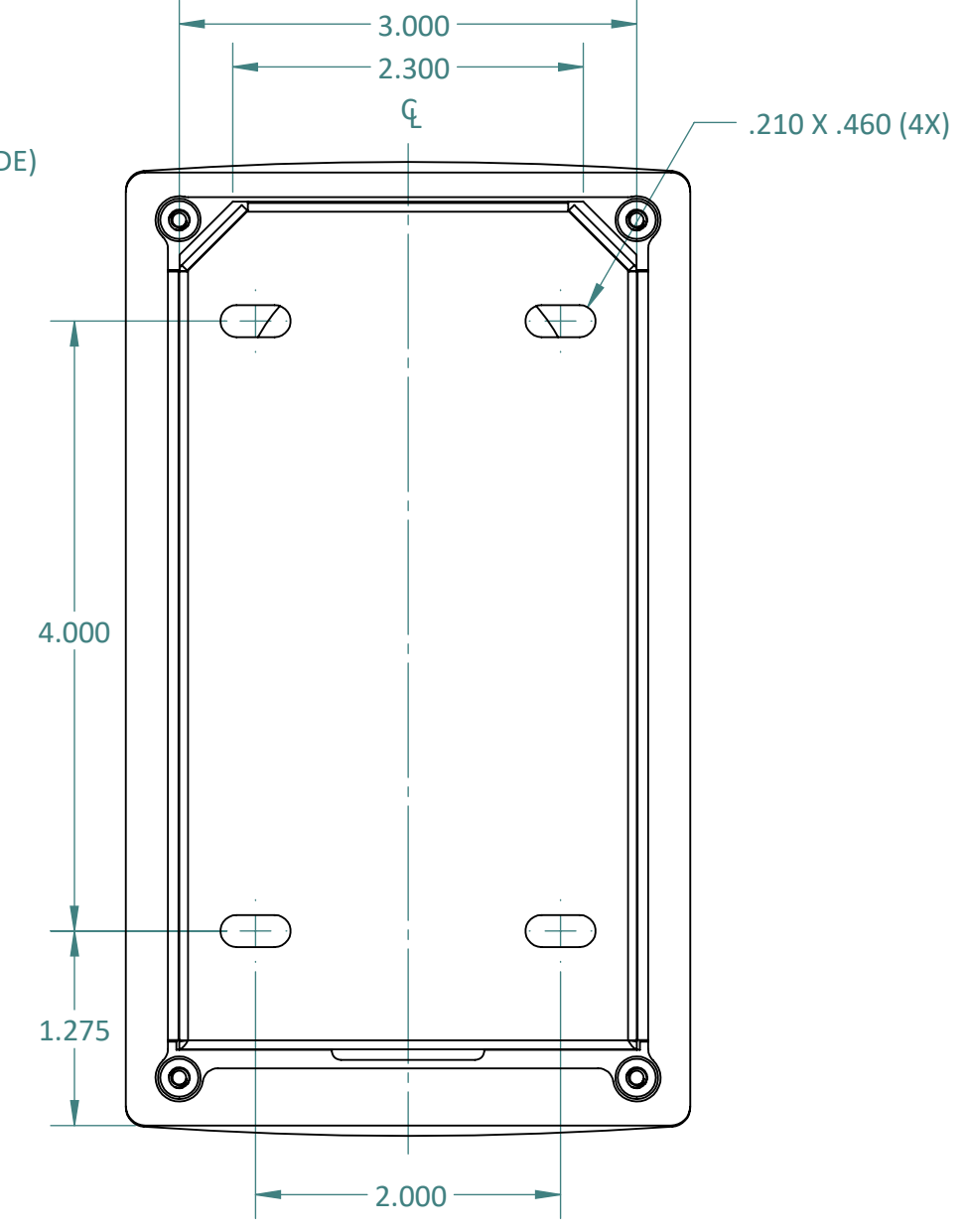
**TOP VIEW**



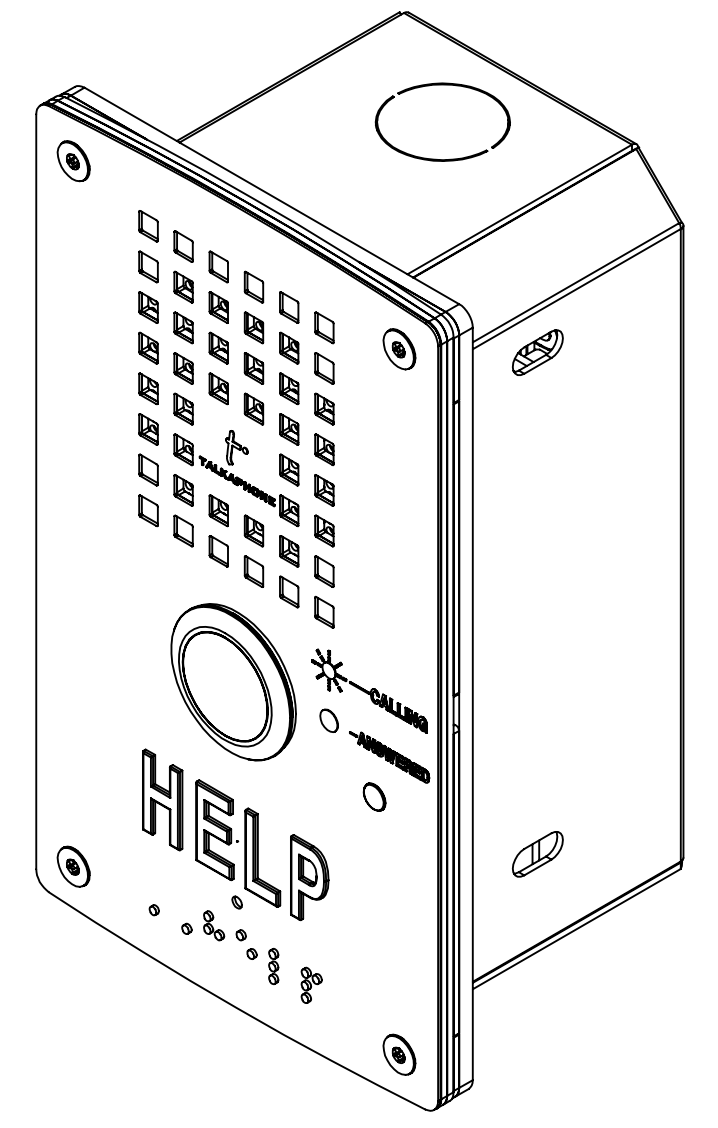
**FRONT VIEW**



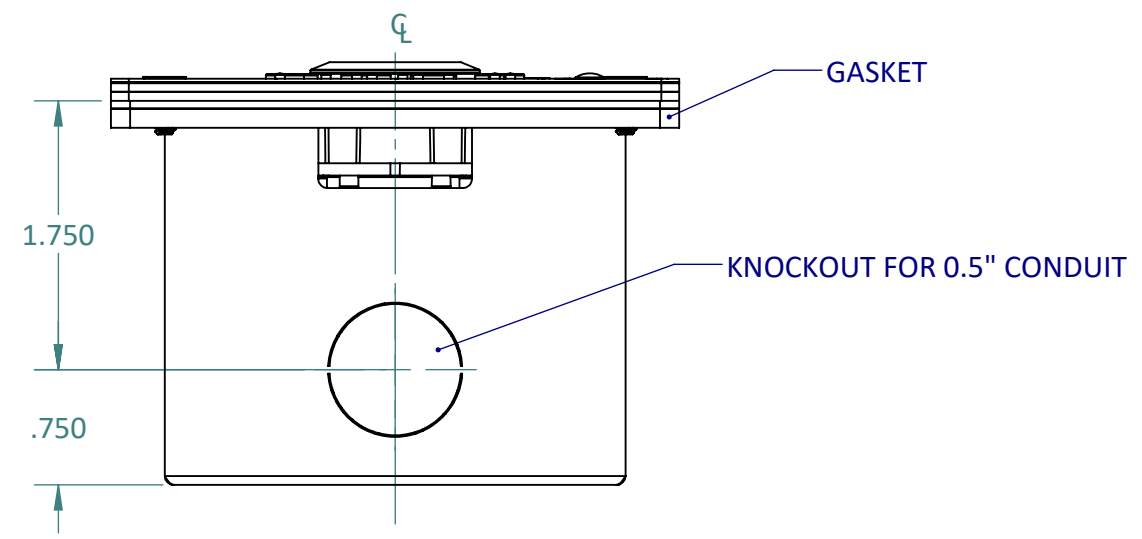
**SIDE VIEW**




**REAR VIEW**



**ISOMETRIC VIEW**



**BOTTOM VIEW**

1.0	MARKETING RELEASE	08/23/2022	N TERECH
REV.	DESCRIPTION	DATE	APPROVED
REVISIONS			
	NAME	DATE	
DRAWN	N TERECH	08/23/2022	
CHECKED	K PATEL	08/23/2022	
ENG APPR.			
MFG APPR.			
Q.A.			
COMMENTS:			 <b>TALKAPHONE</b> TALK-A-PHONE, LLC 7530 N. NATCHEZ AVE. NILES, IL 60714 WWW.TALKAPHONE.COM
ALL DIMENSIONS ARE IN INCHES			
SIZE	PART NO.	REV	
<b>C</b>	VOIP-220H	<b>1.0</b>	
DWG. TITLE:		VOIP-220 SERIES_HELP_FM	
SCALE: 4:5	WEIGHT:	SHEET 1 OF 1	

**FINISH**  
 PROPRIETARY AND CONFIDENTIAL  
 THE INFORMATION CONTAINED IN THIS DRAWING IS THE SOLE PROPERTY OF TALK-A-PHONE, LLC. ANY REPRODUCTION IN PART OR AS A WHOLE WITHOUT THE WRITTEN PERMISSION OF TALK-A-PHONE, LLC IS PROHIBITED.