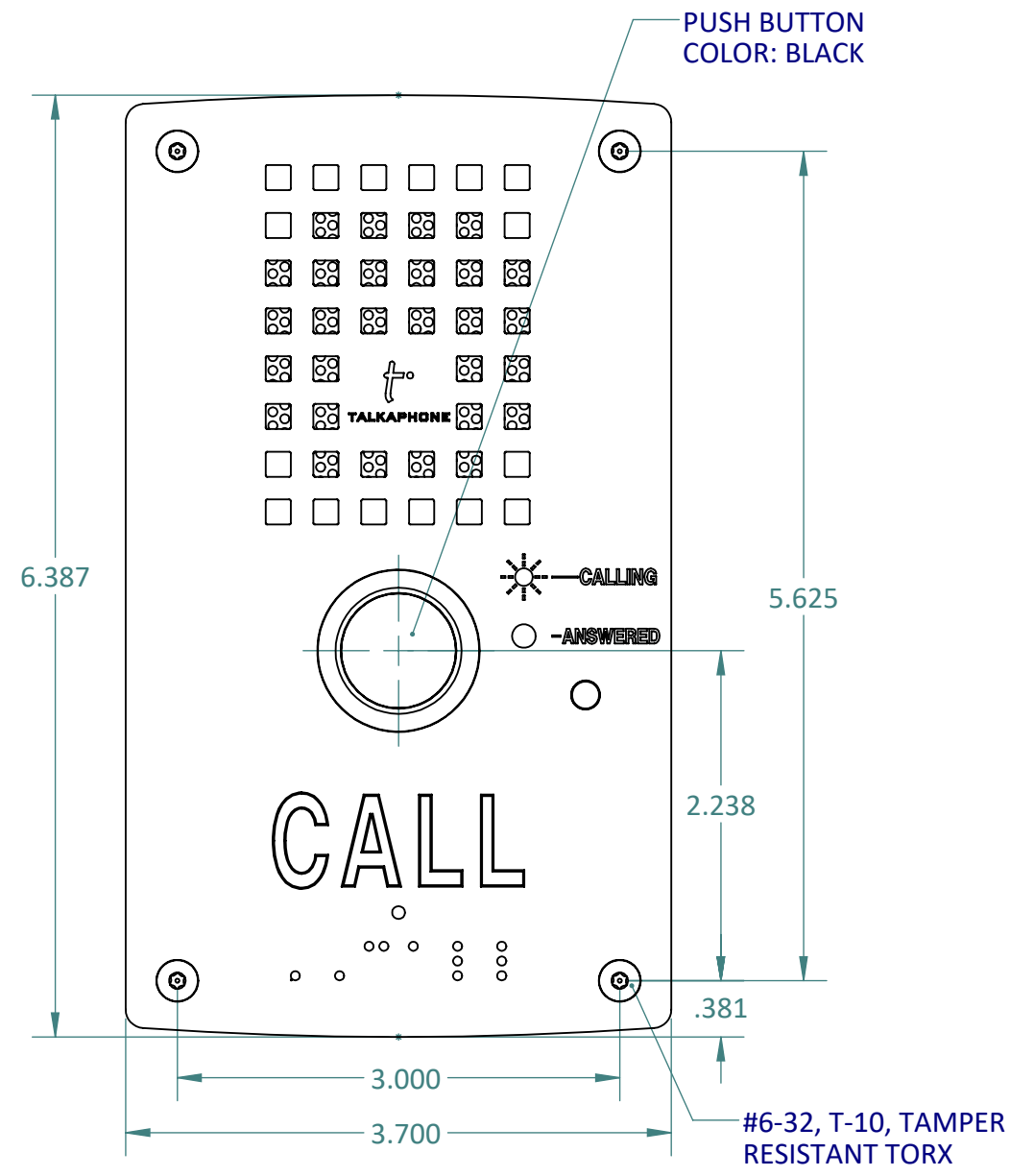
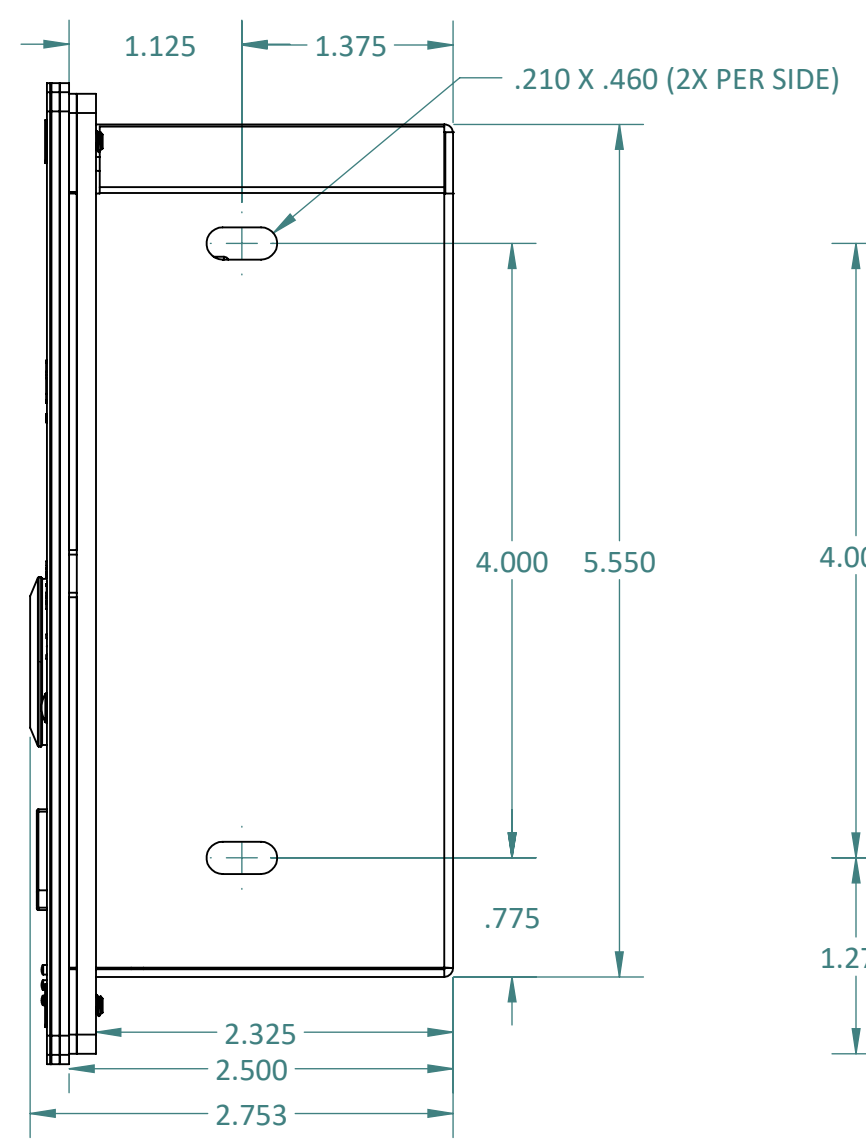


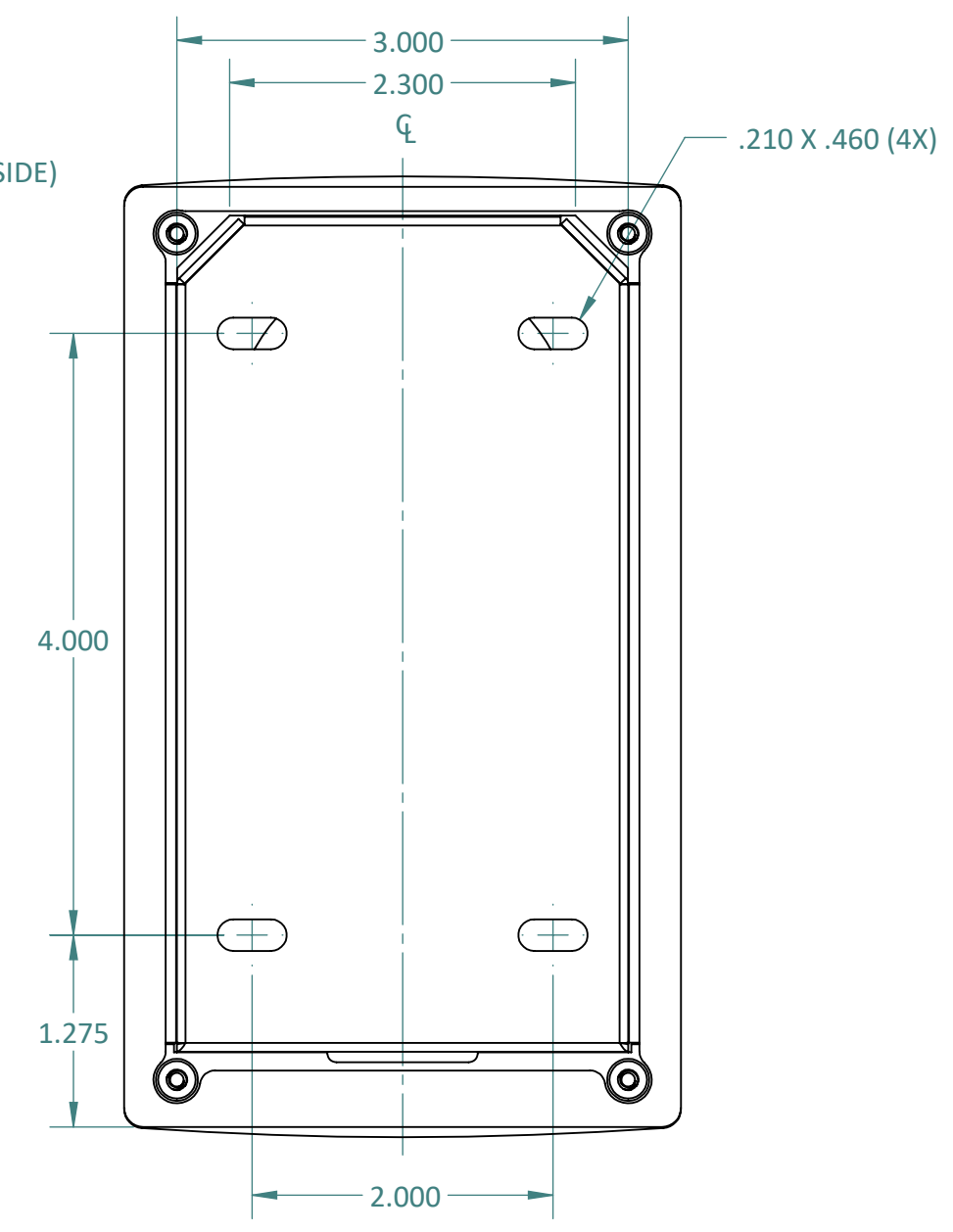
TOP VIEW



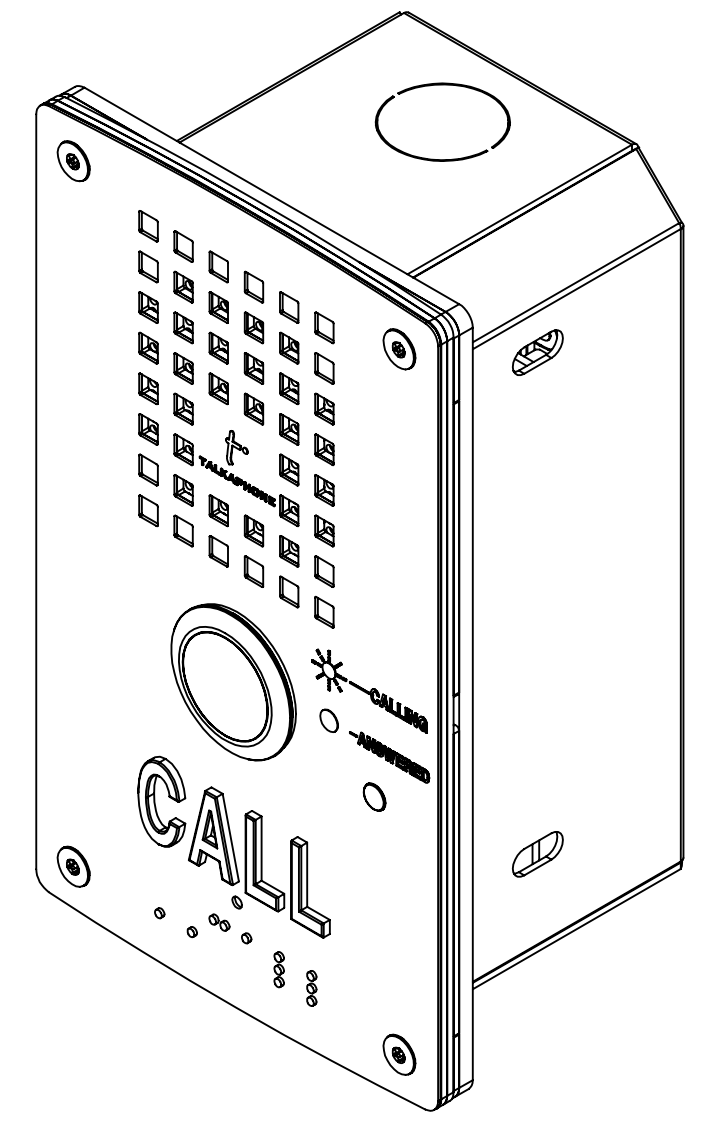
FRONT VIEW



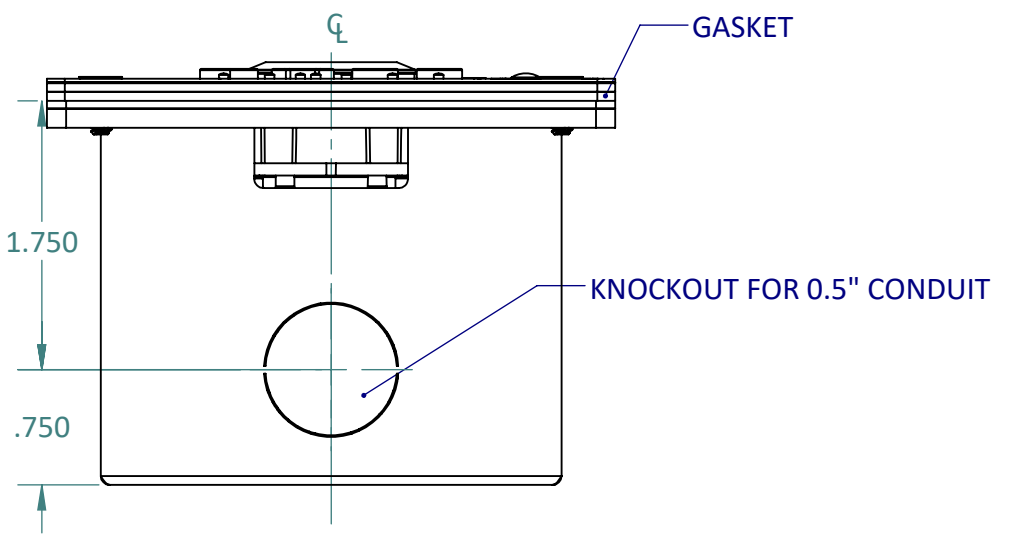
SIDE VIEW



REAR VIEW



ISOMETRIC VIEW



BOTTOM VIEW

| | | | |
|-------------------------------------|-------------------|------------|--------------|
| 1.0 | MARKETING RELEASE | 08/23/2022 | N TERECH |
| REV. | DESCRIPTION | DATE | APPROVED |
| REVISIONS | | | |
| | NAME | DATE | |
| DRAWN | N TERECH | 08/23/2022 | |
| CHECKED | K PATEL | 08/23/2022 | |
| ENG APPR. | | | |
| MFG APPR. | | | |
| Q.A. | | | |
| COMMENTS: | | | DWG. NO. |
| ALL DIMENSIONS ARE IN INCHES | | | REV |
| SIZE | | | 1.0 |
| PART NO. VOIP-220C | | | |
| DWG. TITLE: VOIP-220 SERIES_CALL_FM | | | |
| SCALE: 4:5 | | WEIGHT: | SHEET 1 OF 1 |

PROPRIETARY AND CONFIDENTIAL
 THE INFORMATION CONTAINED IN THIS DRAWING IS THE SOLE PROPERTY OF TALK-A-PHONE, LLC. ANY REPRODUCTION IN PART OR AS A WHOLE WITHOUT THE WRITTEN PERMISSION OF TALK-A-PHONE, LLC IS PROHIBITED.

