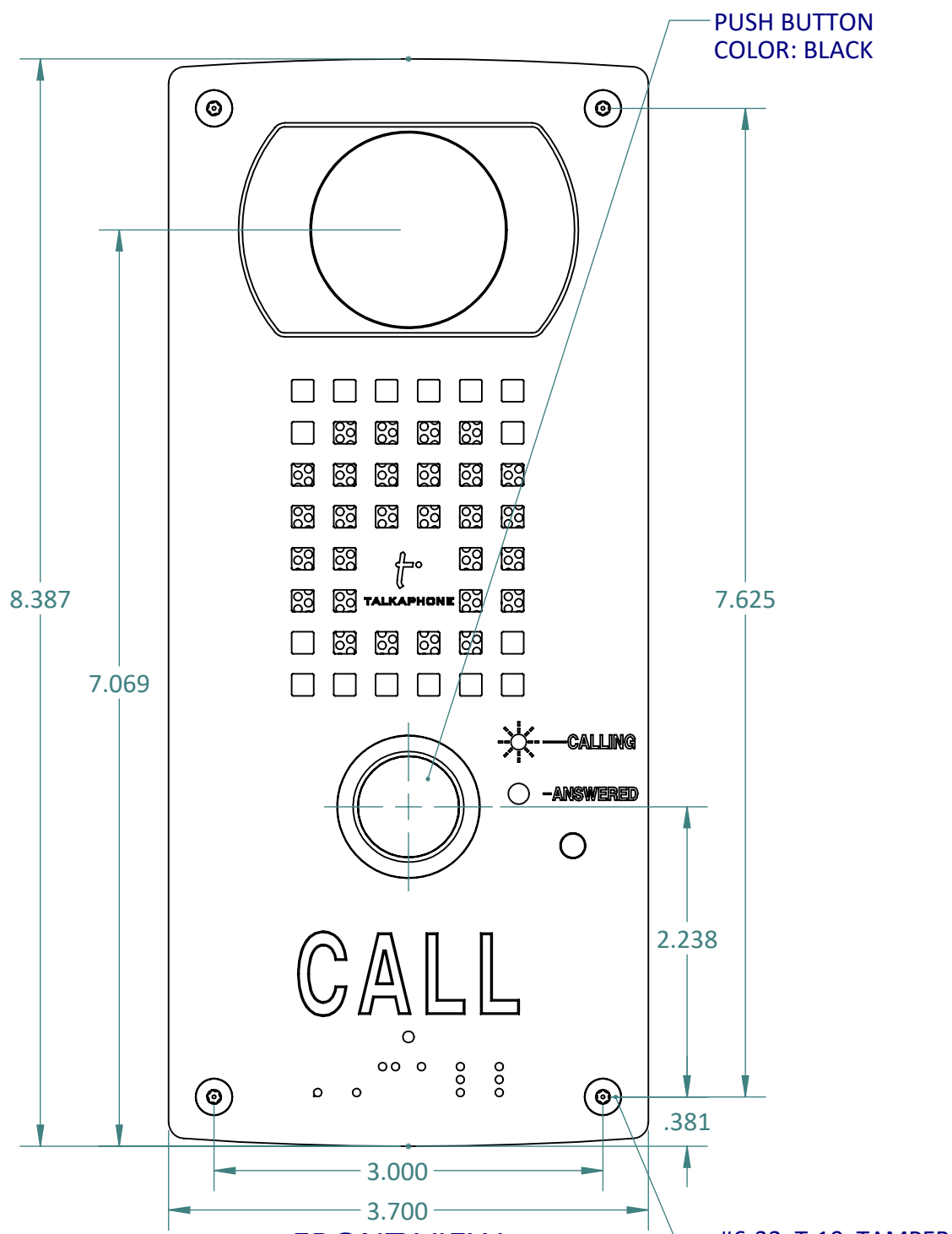


TOP VIEW

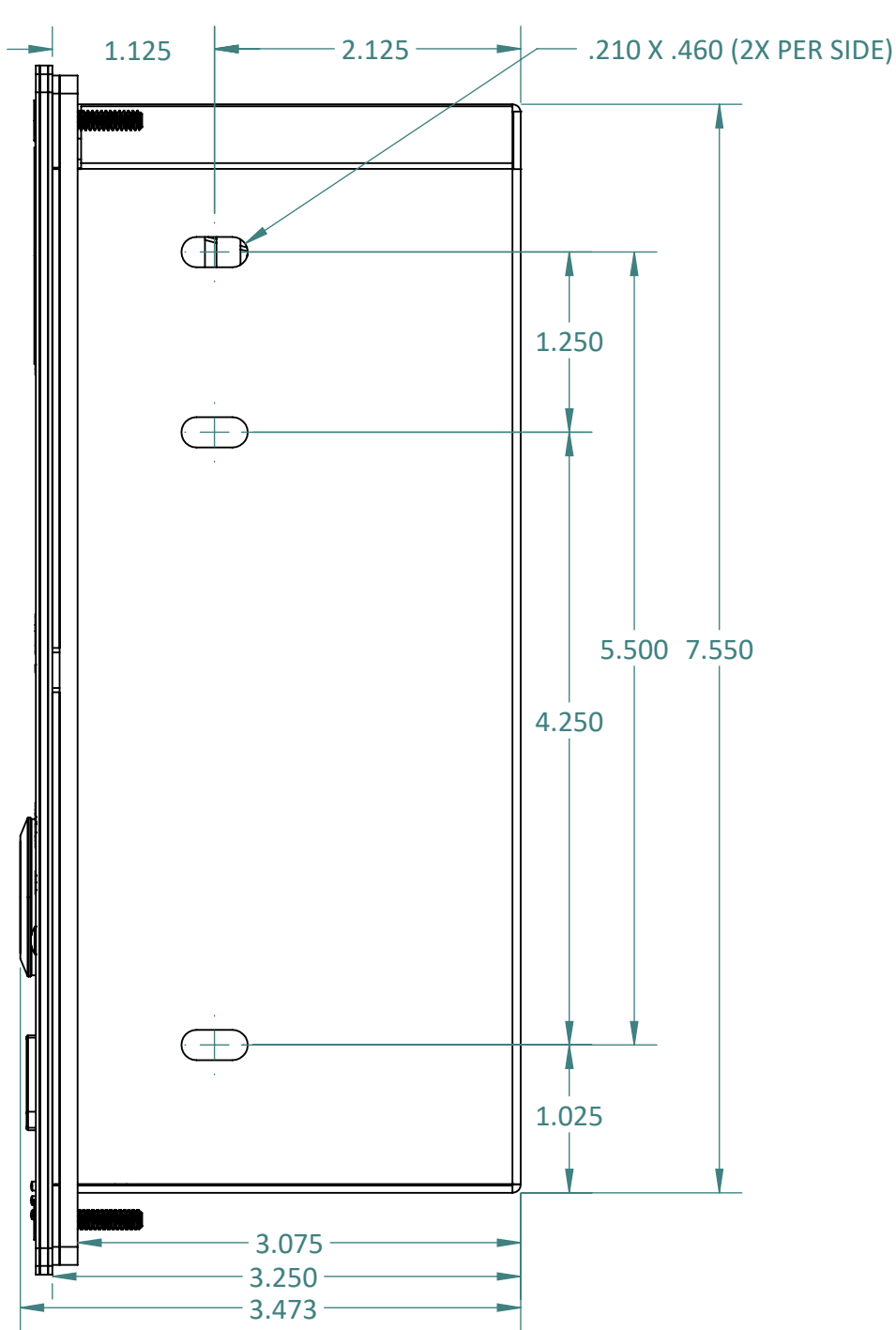
KNOCKOUT FOR 0.5" CONDUIT



FRONT VIEW

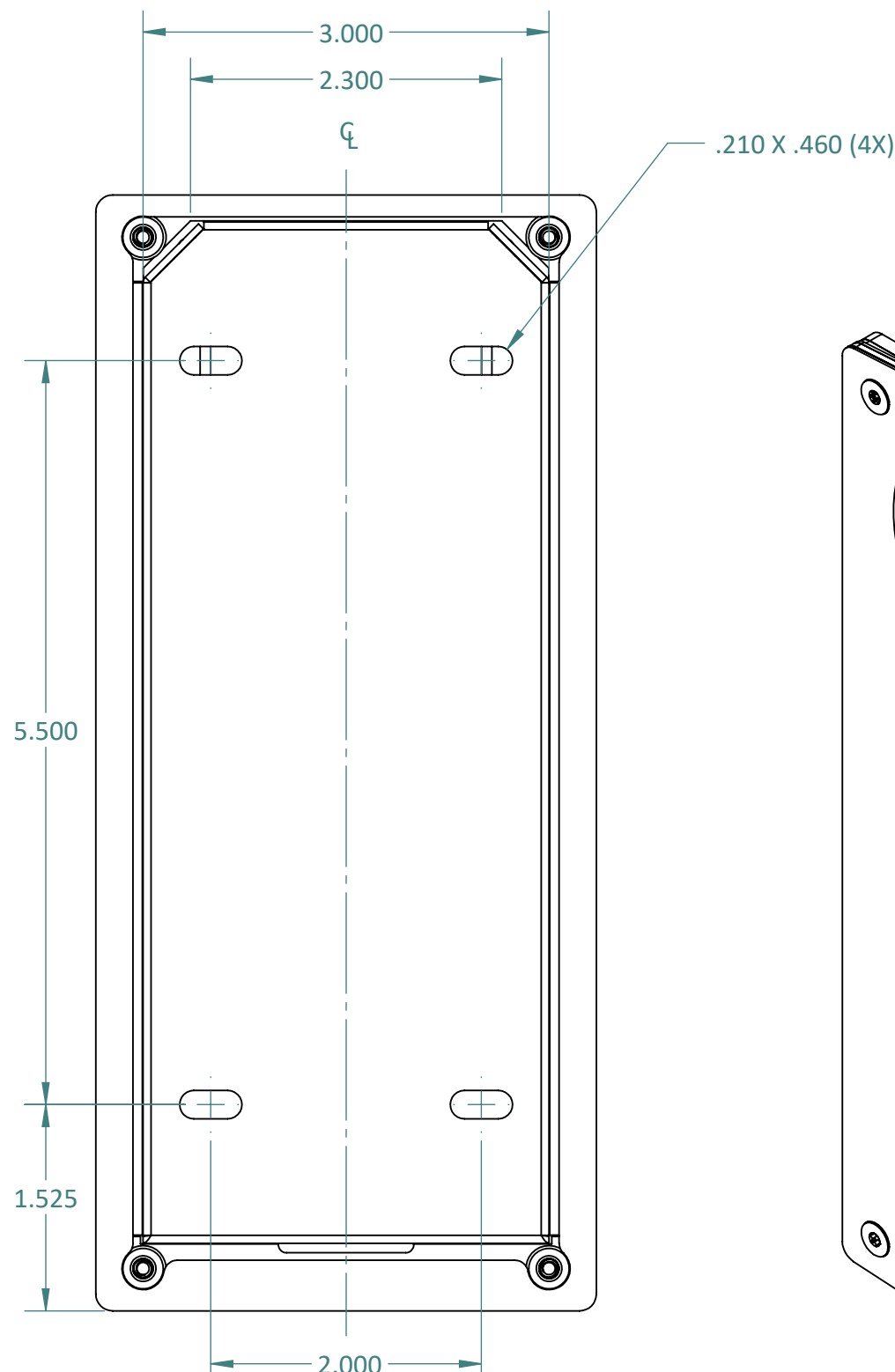
PUSH BUTTON
COLOR: BLACK

#6-32, T-10, TAMPER
RESISTANT TORX

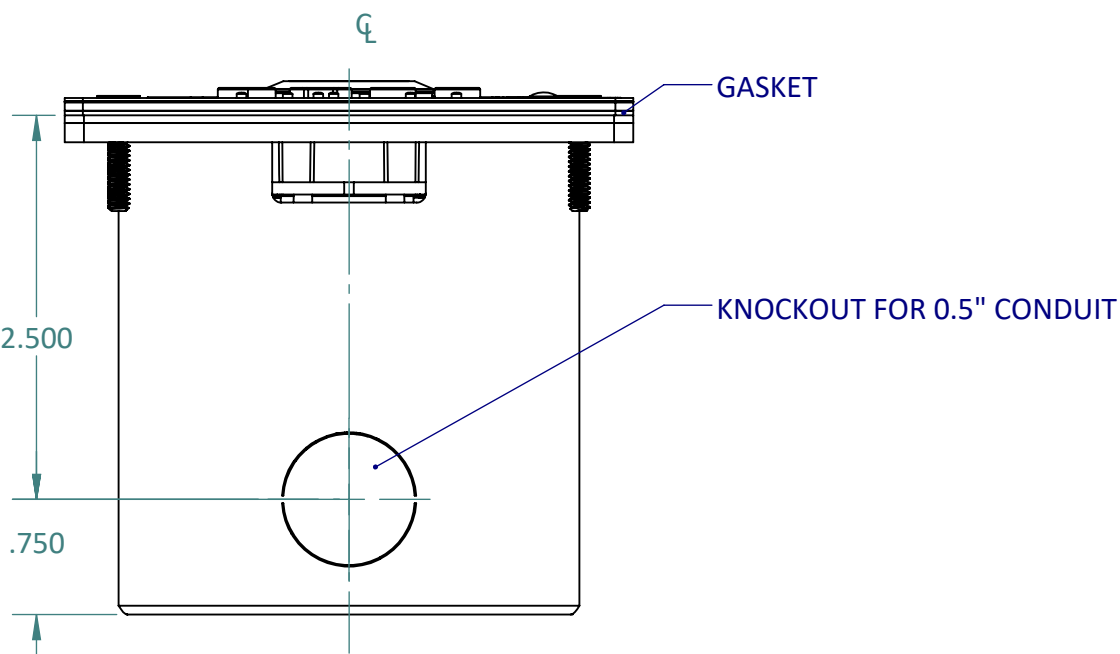
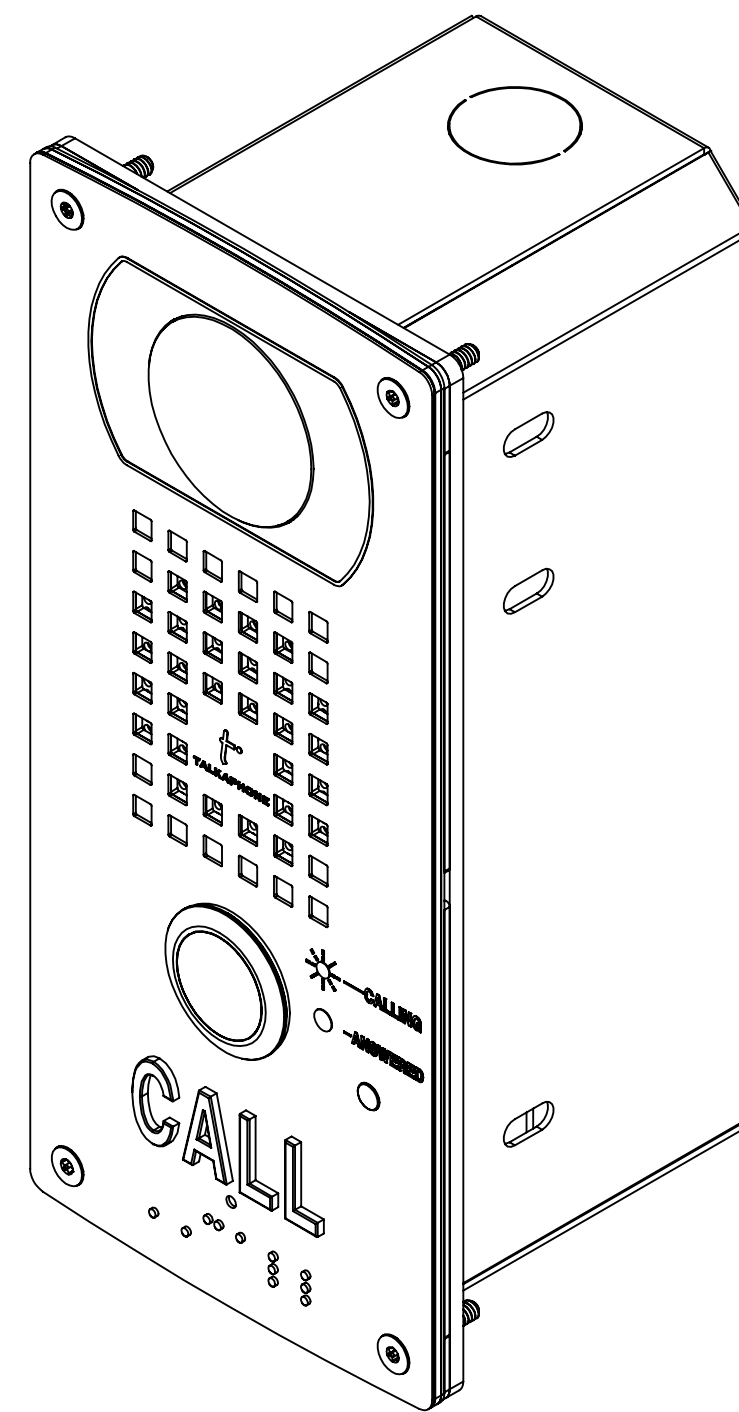


SIDE VIEW

.210 X .460 (2X PER SIDE)



REAR VIEW



BOTTOM VIEW

GASKET

KNOCKOUT FOR 0.5" CONDUIT

| | | | |
|------|--|------------|----------|
| 1.2 | REVISED TITLE BLOCK TO ACCOMMODATE SERIES MODELS | 9/13/2024 | K PATEL |
| 1.1 | UPDATED CAMERA ASSY | 12/08/2022 | N TERECH |
| 1.0 | MARKETING RELEASE | 08/23/2022 | N TERECH |
| REV. | DESCRIPTION | DATE | APPROVED |

| SPECIFICATIONS ARE SUBJECT TO CHANGE WITHOUT NOTICE | | | |
|--|--|----------------------|-----------|
| UNLESS OTHERWISE SPECIFIED: DIMENSIONS ARE IN INCHES TOLERANCES: DRILL HOLE: -0.00 / +0.003 ANGULAR: MACH ± 1° BEND ± 1° TWO PLACE DECIMAL ± 0.01 THREE PLACE DECIMAL ± 0.005 | DRAWN | N TERECH | 12/8/2022 |
| | CHECKED | K PATEL | 12/8/2022 |
| | ENG APPR. | | |
| | MFG APPR. | | |
| DO NOT SCALE DRAWING | INTERPRET GEOMETRIC TOLERANCING PER: ASME Y14.5-2009 | Q.A. | |
| PROPRIETARY AND CONFIDENTIAL THE INFORMATION CONTAINED IN THIS DRAWING IS THE SOLE PROPERTY OF TALK-A-PHONE, LLC. ANY REPRODUCTION IN PART OR AS A WHOLE WITHOUT THE WRITTEN PERMISSION OF TALK-A-PHONE, LLC IS PROHIBITED. | FINISH | | |
| | MODEL FILE NAME: | VOIP-220_SERIES_ASSY | |

TALKAPHONE
TALK-A-PHONE, LLC
7530 N. NATCHEZ AVE., NILES, IL 60714
WWW.TALKAPHONE.COM

| | | |
|-------------|--------------------------|--------------|
| DESCRIPTION | | |
| SIZE | PART NO. | REV |
| C | VOIP-220C3 / VOIP-220C3* | 1.2 |
| SCALE: 4:5 | WEIGHT: | SHEET 1 OF 1 |