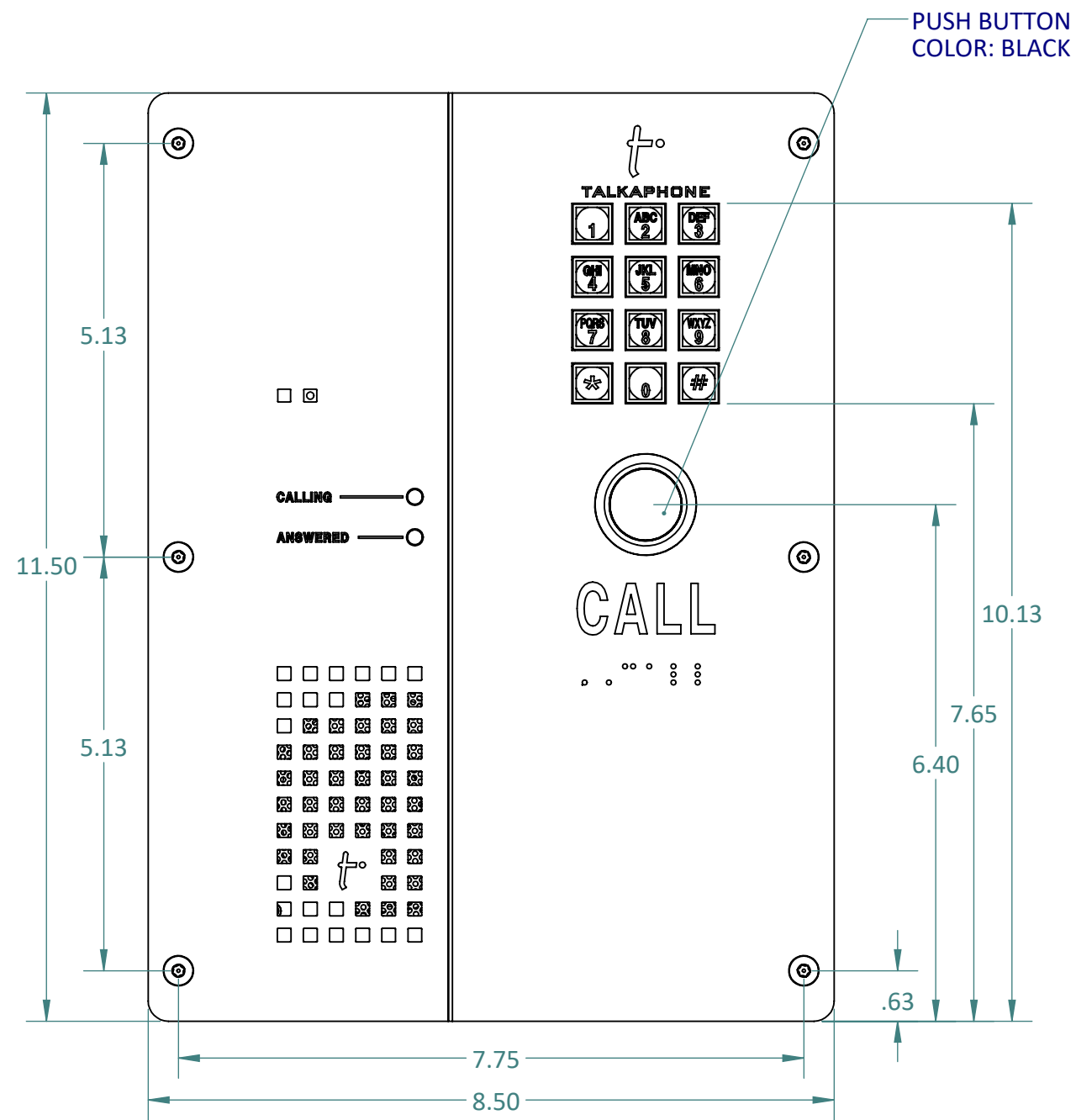
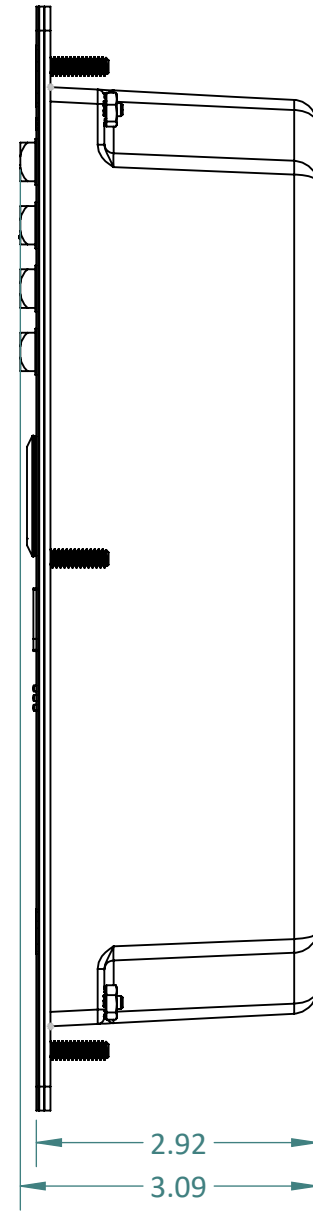


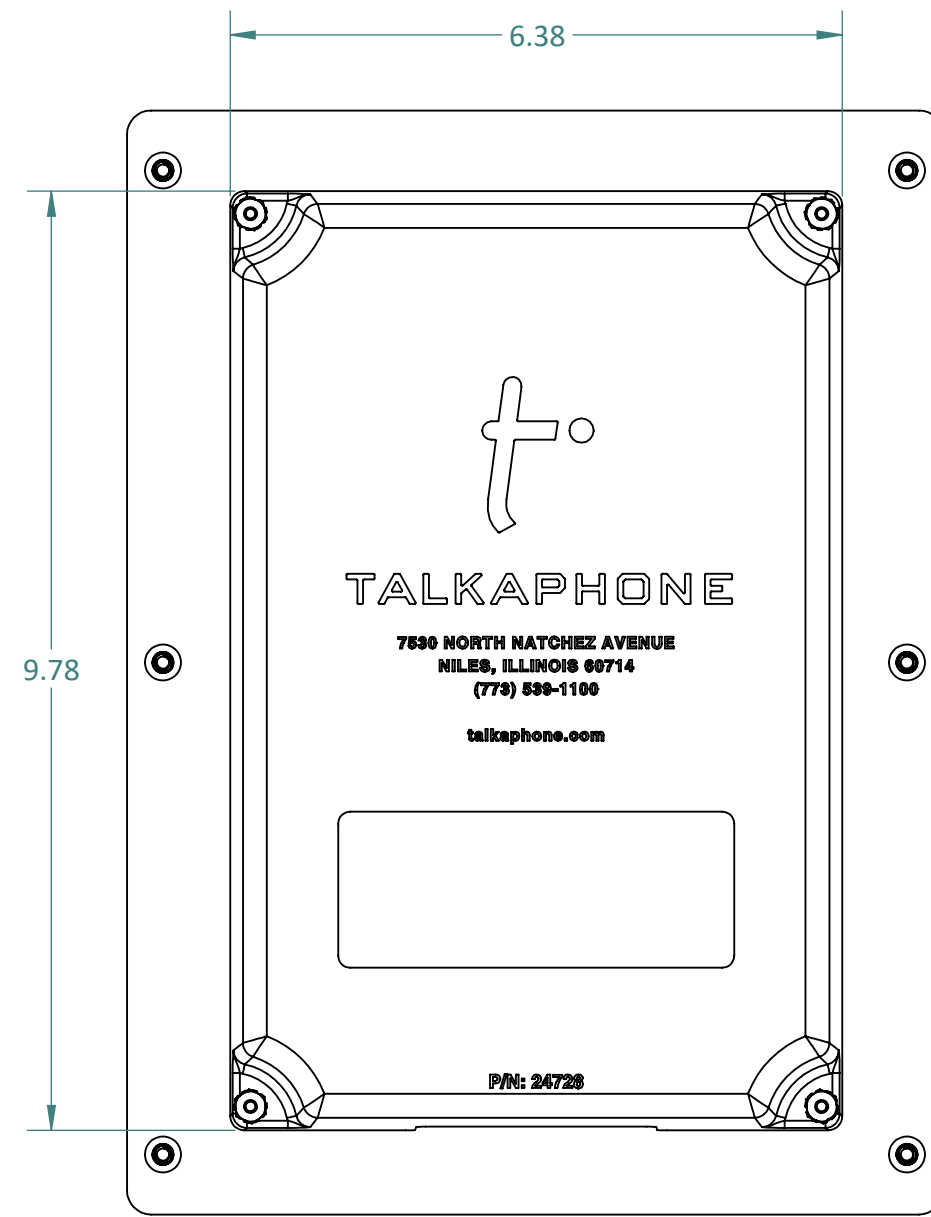
GENERAL NOTES:



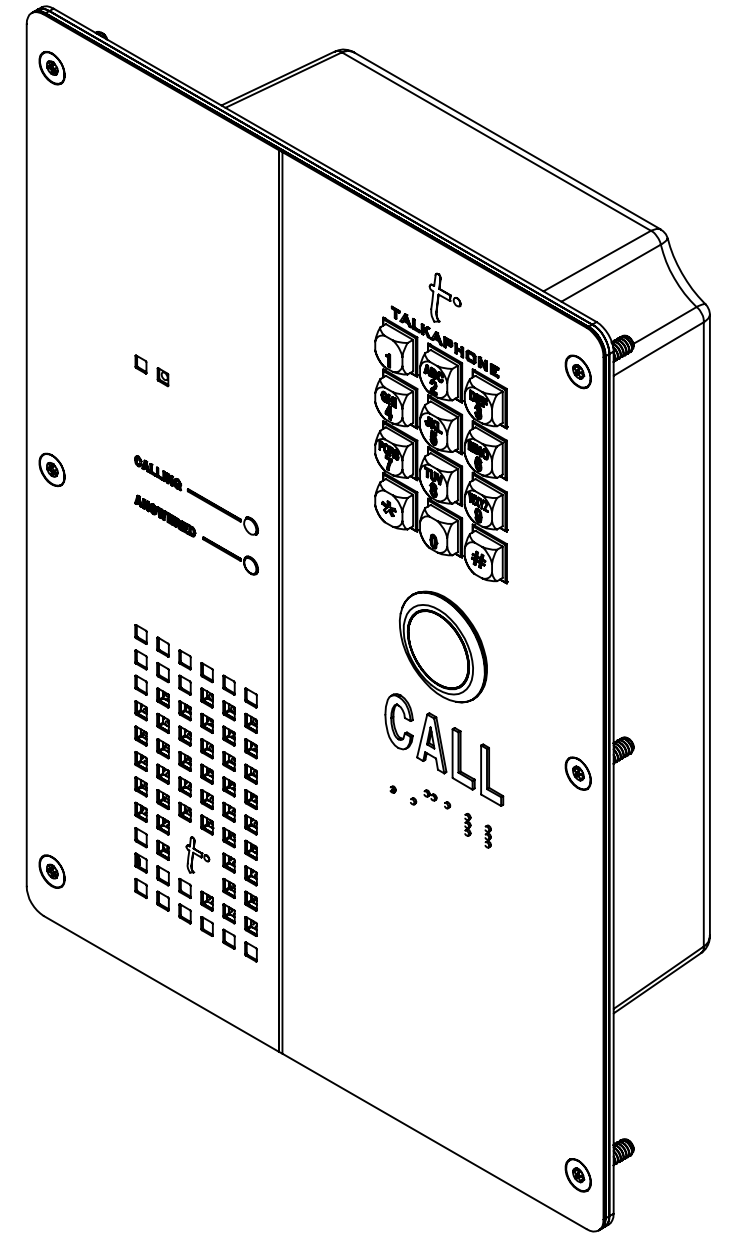
FRONT VIEW



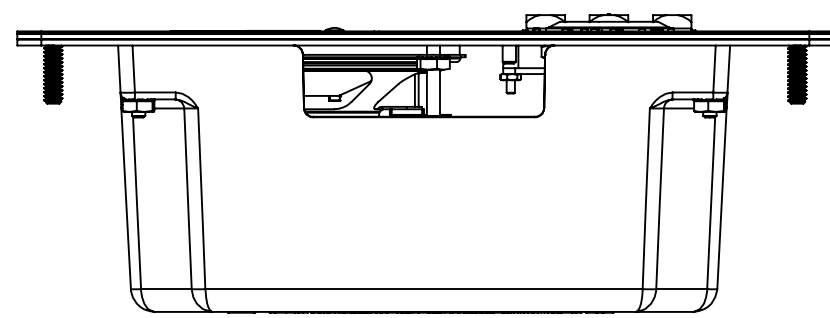
SIDE VIEW



REAR VIEW



ISOMETRIC VIEW



BOTTOM VIEW

1.1	1.1	UPDATED DESCRIPTION	06/27/2023	N TERECH
1.0	1.0	MARKETING RELEASE	9/9/2020	J MAHETALIA
ECO	REV.	DESCRIPTION	DATE	APPROVED

REVISION TABLE				
UNLESS OTHERWISE SPECIFIED:				
DIMENSIONS ARE IN INCHES		NAME	DATE	
TOLERANCES:		DRAWN	J MAHETALIA	9/9/2020
DRILL HOLE -0.00 / +0.003		CHECKED	K PATEL	9/9/2020
ANGULAR: MACH ± 1° BEND ± 1°		ENG APPR.		
TWO PLACE DECIMAL ±0.01		MFG APPR.		
THREE PLACE DECIMAL ±0.005		Q.A.		
INTERPRET GEOMETRIC TOLERANCING PER: ASME Y14.5-2009				
MATERIAL:				
FINISH:				
MODEL FILE NAME:				
PHONE_ASSY				

TALKAPHONE
TALK-A-PHONE, LLC
7530 N. NATCHEZ AVE., NILES, IL 60714
WWW.TALKAPHONE.COM

DESCRIPTION
ETP-VOIP-500NCK SERIES CALL STATION

SIZE	PART NO.	REV
C	VOIP-500NCK, ETP-500NCK, ETP-500NCK2, ETP-500NCK4	1.1
SCALE: 1:2	WEIGHT:	SHEET 1 OF 1

DO NOT SCALE DRAWING
PROPRIETARY AND CONFIDENTIAL
THE INFORMATION CONTAINED IN THIS DRAWING IS THE SOLE PROPERTY OF TALK-A-PHONE, LLC. ANY REPRODUCTION IN PART OR AS A WHOLE WITHOUT THE WRITTEN PERMISSION OF TALK-A-PHONE, LLC IS PROHIBITED.