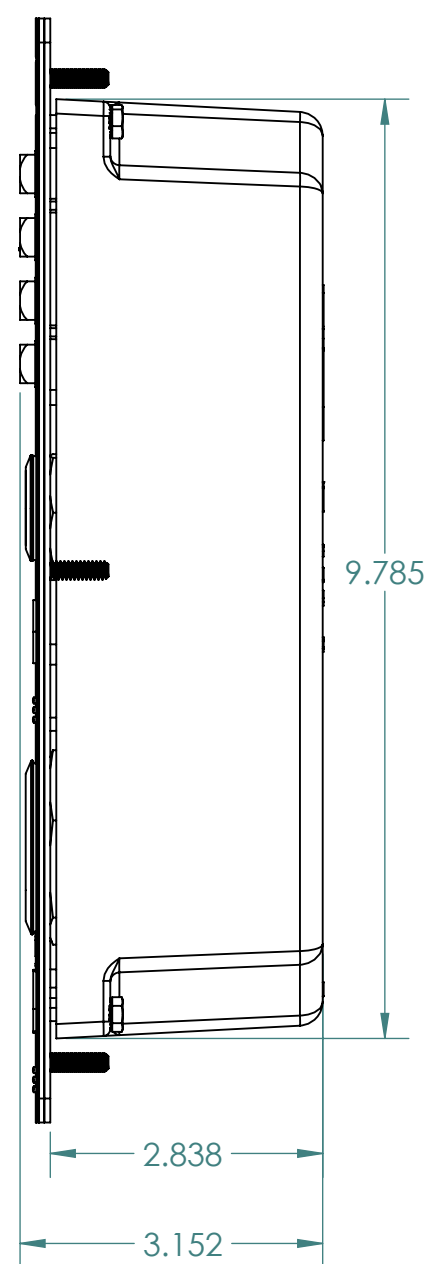
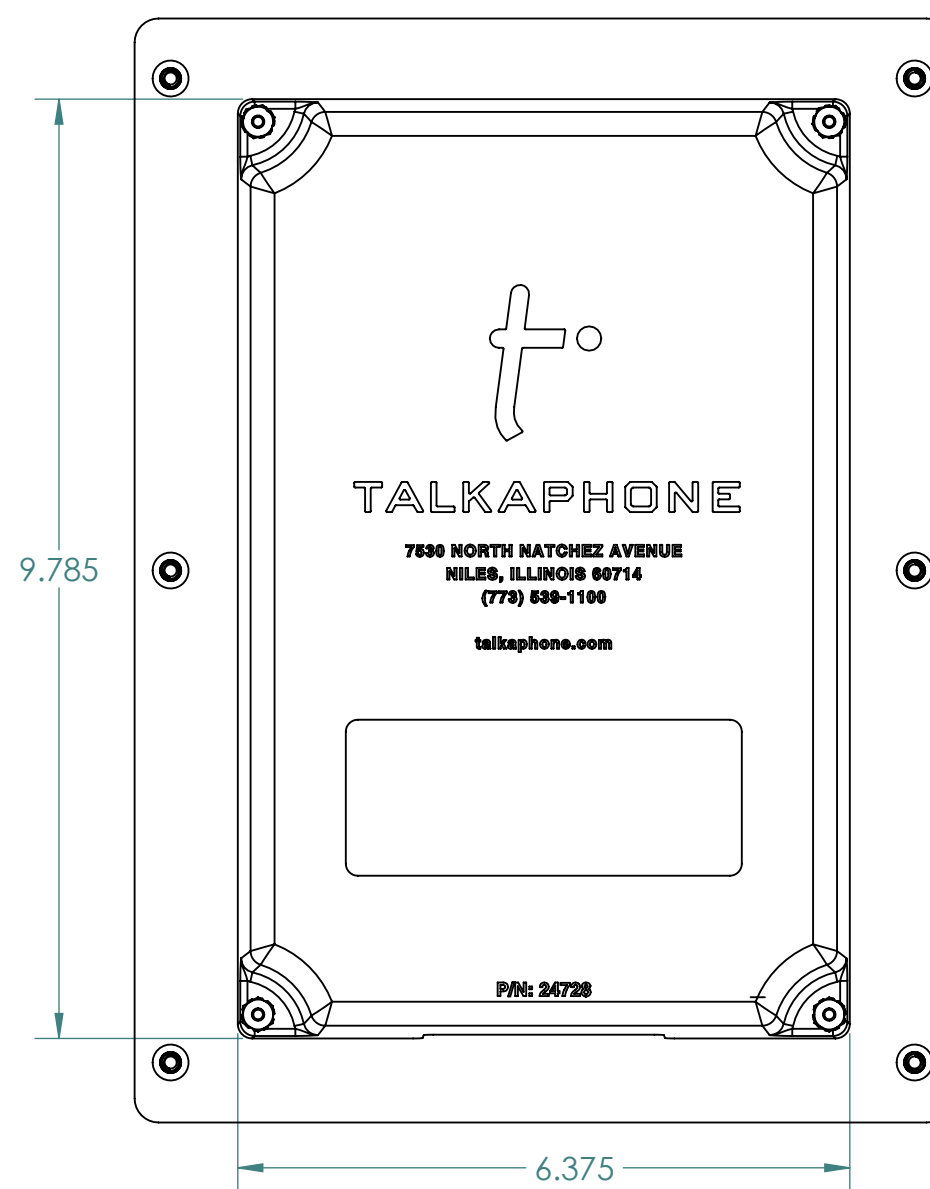


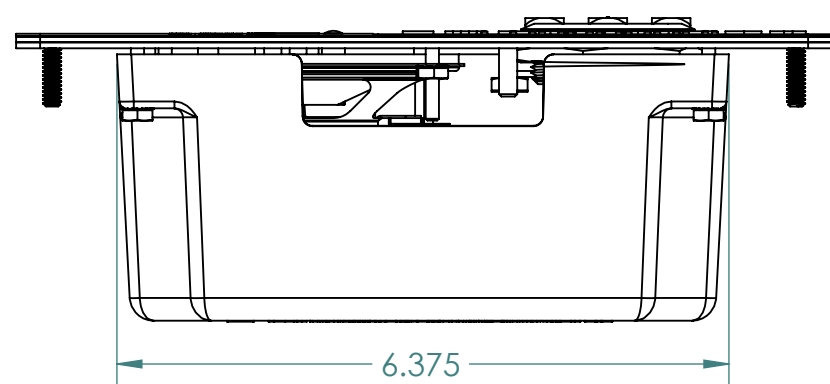
FRONT VIEW



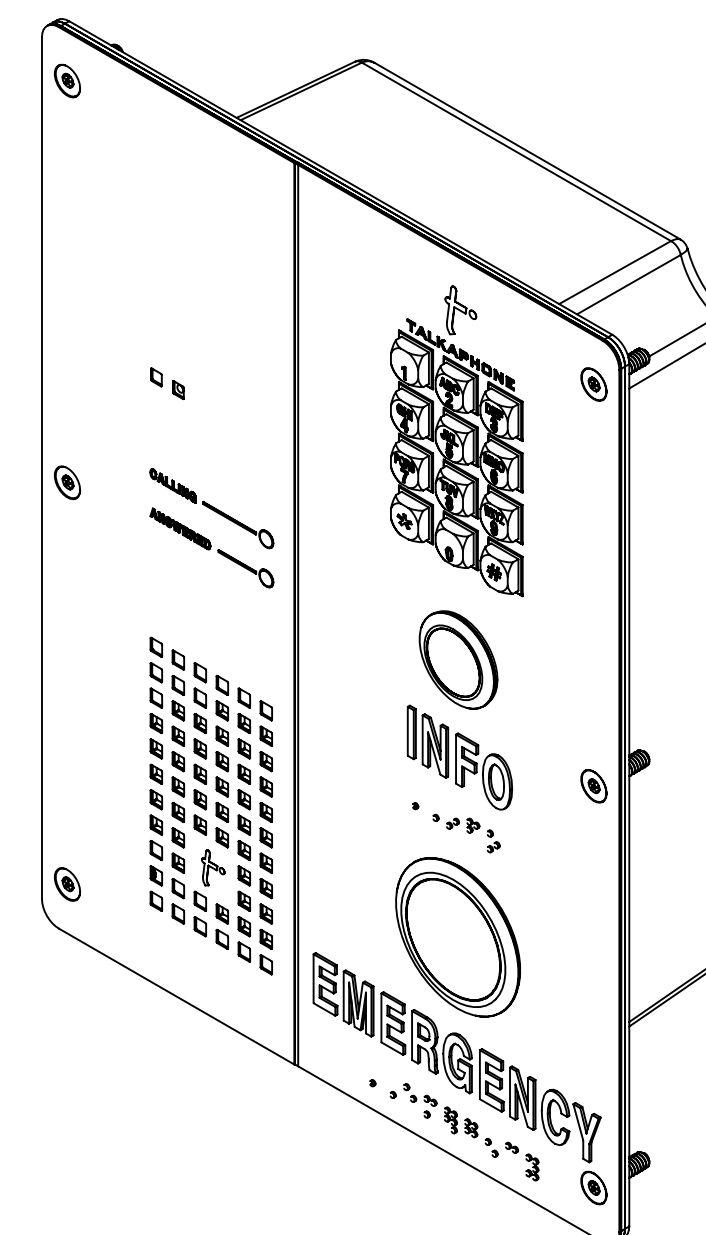
SIDE VIEW



REAR VIEW



BOTTOM VIEW



1.0	MARKETING RELEASE	01/03/2017	M OBAL
REV.	DESCRIPTION	DATE	APPROVED
REVISIONS			
	NAME	DATE	
DRAWN	M OBAL	01/03/2017	
CHECKED	K PATEL	01/04/2017	
ENG APPR.			
MFG APPR.			
Q.A.			
COMMENTS:			
<p>PROPRIETARY AND CONFIDENTIAL THE INFORMATION CONTAINED IN THIS DRAWING IS THE SOLE PROPERTY OF TALK-A-PHONE COMPANY. ANY REPRODUCTION IN PART OR AS A WHOLE WITHOUT THE WRITTEN PERMISSION OF TALK-A-PHONE COMPANY IS PROHIBITED.</p>		<p>FINISH</p>	<p>DWG. NO.</p>
		<p>SIZE C</p>	<p>PART NO. ETP-VOIP-500EIK</p>
		<p>SCALE: 1:4</p>	<p>WEIGHT:</p>
		<p>SHEET 1 OF 1</p>	

