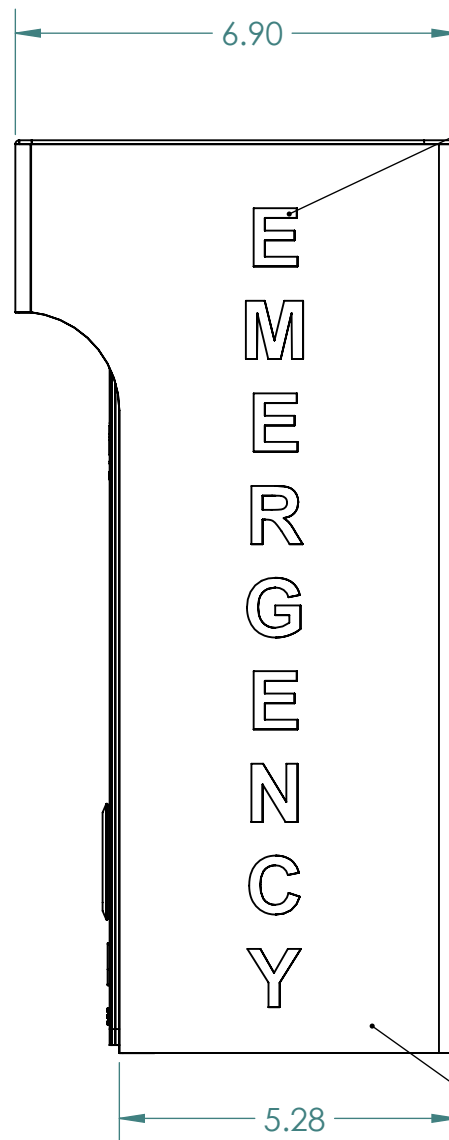


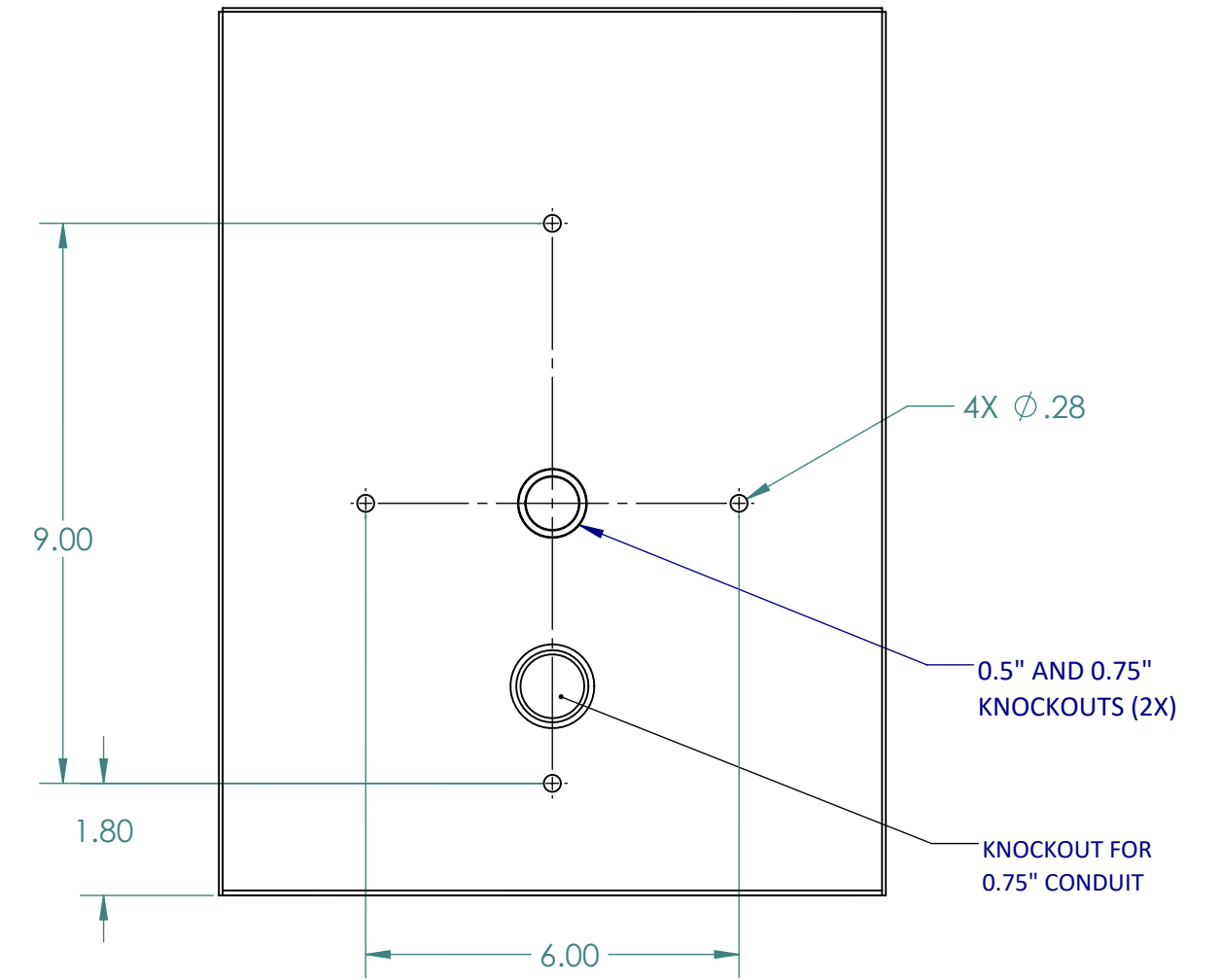
**FRONT VIEW**



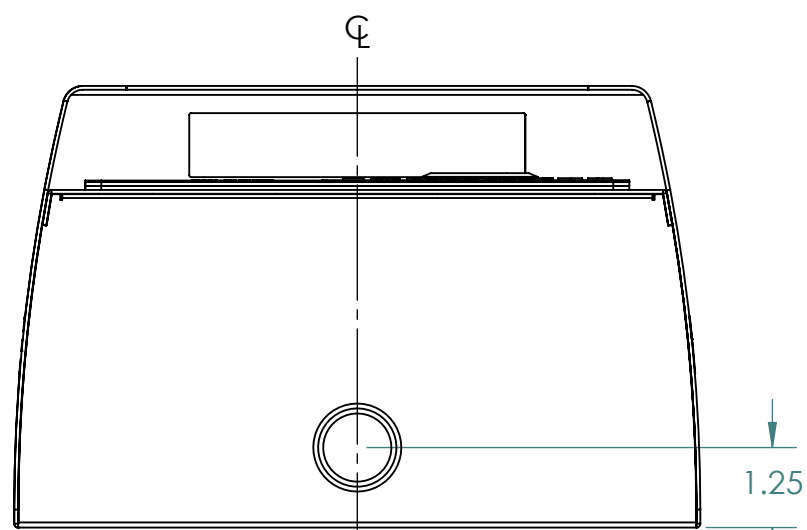
**SIDE VIEW**

STANDARD SIGNAGE: 0.75 IN. HIGH REFLECTIVE BLACK "EMERGENCY" LETTERING WITH WIDE-ANGLE VISIBILITY IS STANDARD.  
 OPTIONAL SIGNAGE: AVAILABLE IS "ASSISTANCE", "INFORMATION", OR CUSTOM LETTERING, COLORS AND GRAPHICS.  
 SIGNAGE IS ON TWO SIDES

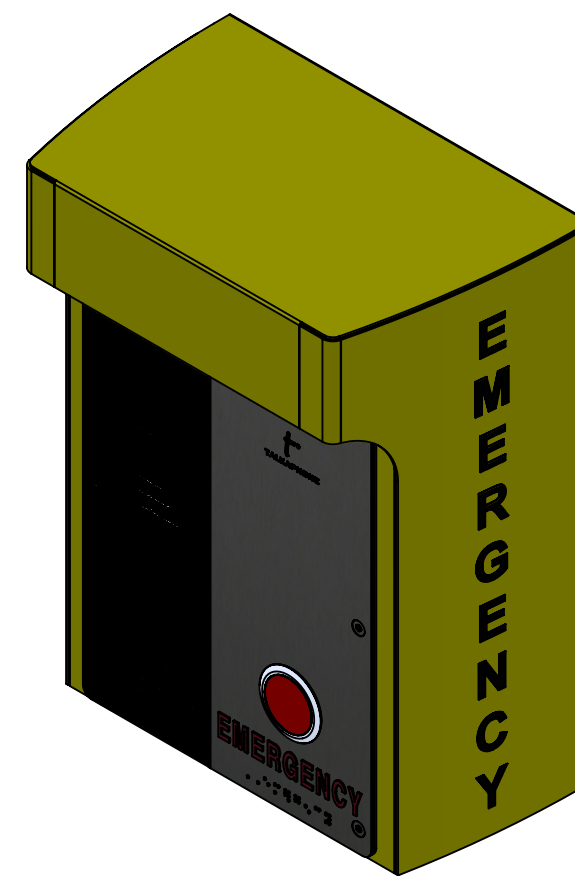
STANDARD FINISH: PAINTED IN SAFETY YELLOW  
 OPTIONAL FINISH: AVAILABLE PAINTED IN CUSTOM COLORS  
 #4 VERTICAL BRUSHED STAINLESS STEEL



**REAR VIEW**




**BOTTOM VIEW**



**ISOMETRIC VIEW**

REV.	DESCRIPTION	DATE	APPROVED
1.0	PRELIMINARY RELEASE	9/30/2016	M OBAL
REVISIONS			
	NAME	DATE	
DRAWN	M OBAL	9/30/2016	
CHECKED	K PATEL	9/30/2016	
ENG APPR.			
MFG APPR.			
Q.A.			
COMMENTS:			

 <b>TALKAPHONE</b> TALK-A-PHONE CO. 7530 N. NATCHEZ AVE. NILES, IL 60714 WWW.TALKAPHONE.COM		DWG. NO.
SIZE	PART NO.	ETP-SML
<b>C</b>	DWG. TITLE:	ETP-SML SERIES
SCALE: 1:4	WEIGHT:	SHEET 1 OF 1
		REV 1.0

FINISH  
 PROPRIETARY AND CONFIDENTIAL  
 THE INFORMATION CONTAINED IN THIS DRAWING IS THE SOLE PROPERTY OF TALK-A-PHONE COMPANY. ANY REPRODUCTION IN PART OR AS A WHOLE WITHOUT THE WRITTEN PERMISSION OF TALK-A-PHONE COMPANY IS PROHIBITED.