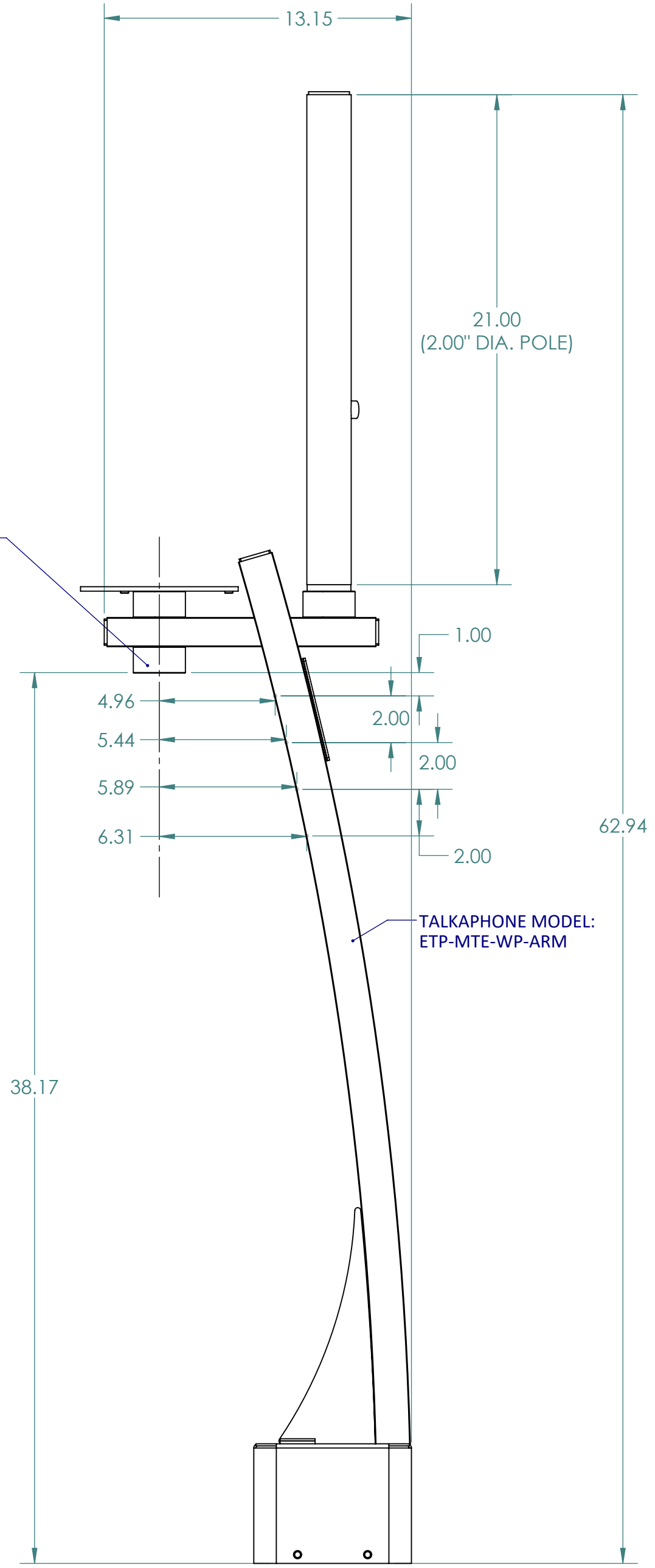
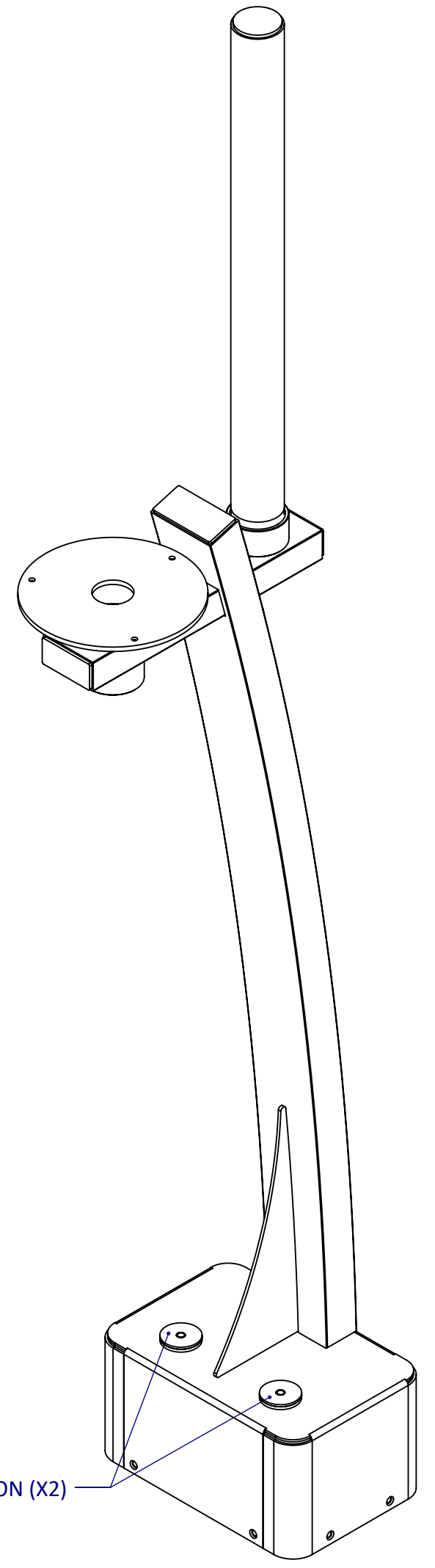


1.5" NPT HALF COUPLING




TALKAPHONE MODEL:  
ETP-MTE-WP-ARM

WIRELESS ANTENNA  
MOUNTING PROVISION (X2)



1.0	MARKETING RELEASE	10/04/2019	K PATEL
REV.	DESCRIPTION	DATE	APPROVED
REVISIONS			
	NAME	DATE	
DRAWN	K PATEL	10/04/2019	
CHECKED			
ENG APPR.			
MFG APPR.			
Q.A.			
COMMENTS:			



**TALKAPHONE**  
TALK-A-PHONE, LLC  
7530 N. NATCHEZ AVE., NILES, IL 60714  
WWW.TALKAPHONE.COM

SIZE	PART NO.	ETP-MTE-WP-ARM	REV
<b>C</b>	DWG. TITLE:	ETP-MTE CAMERA ARM WITH POLE AND ANTENNA CUTOUTS	<b>1.0</b>
SCALE: 1:12	WEIGHT:		SHEET 1 OF 1

**FINISH**  
THE INFORMATION CONTAINED IN THIS DRAWING IS THE SOLE PROPERTY OF TALK-A-PHONE, LLC. ANY REPRODUCTION IN PART OR AS A WHOLE WITHOUT THE WRITTEN PERMISSION OF TALK-A-PHONE, LLC IS PROHIBITED.