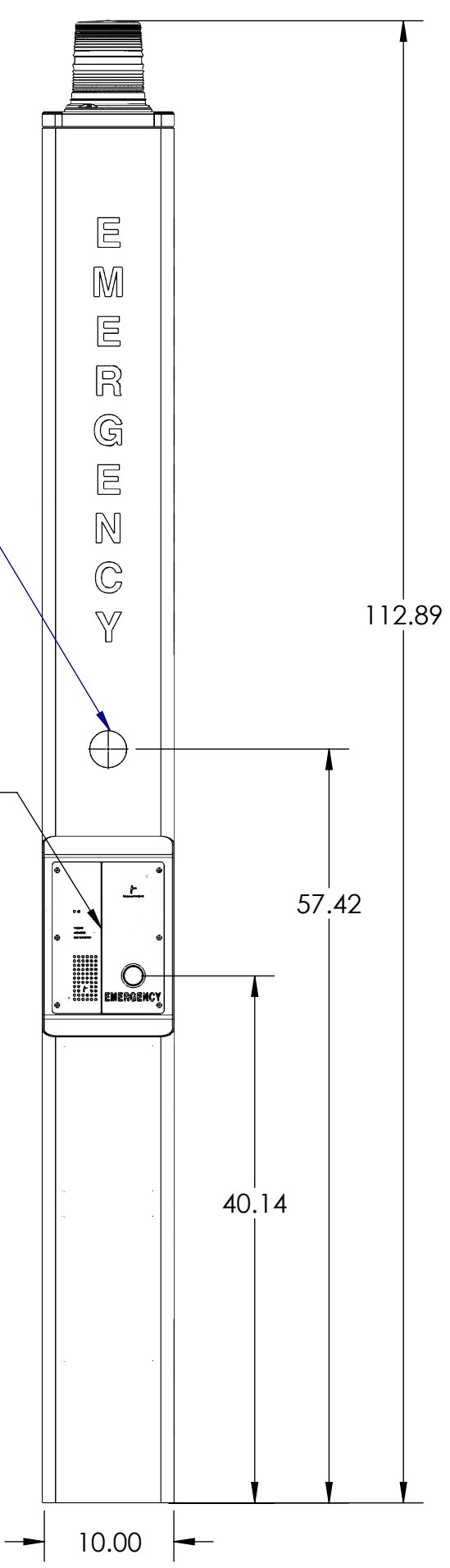
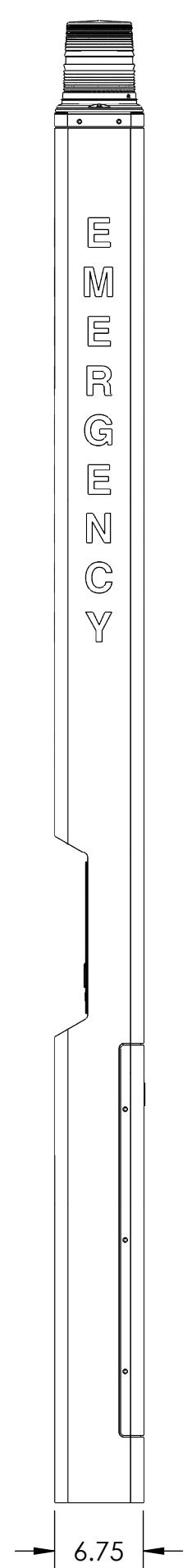


F
E
D
C
B
A

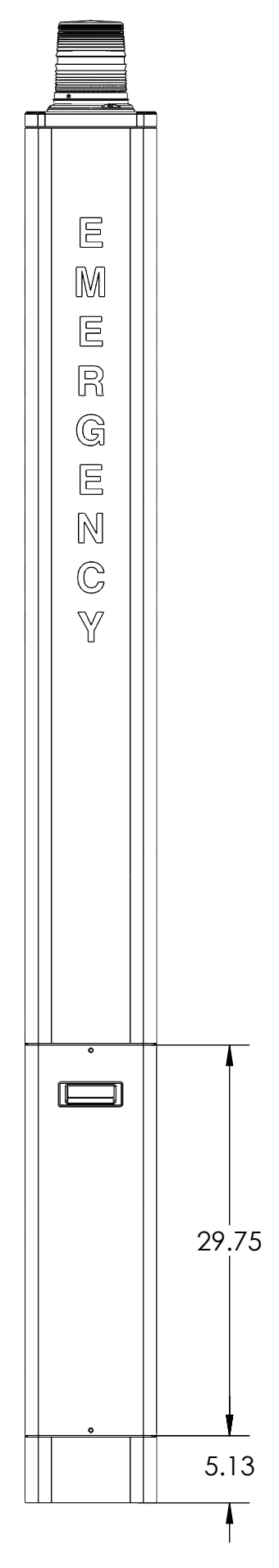
8 7 6 5 4 3 2 1



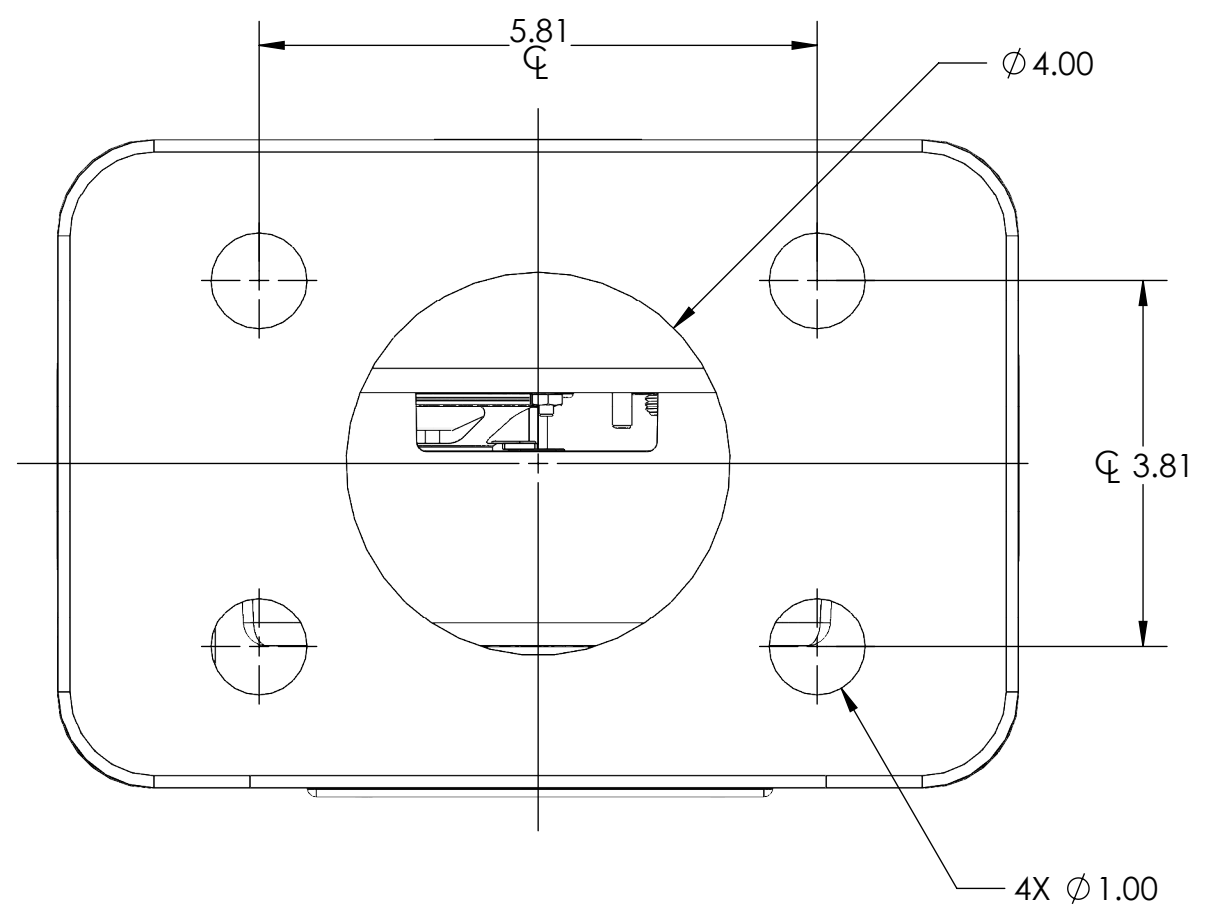
FRONT VIEW



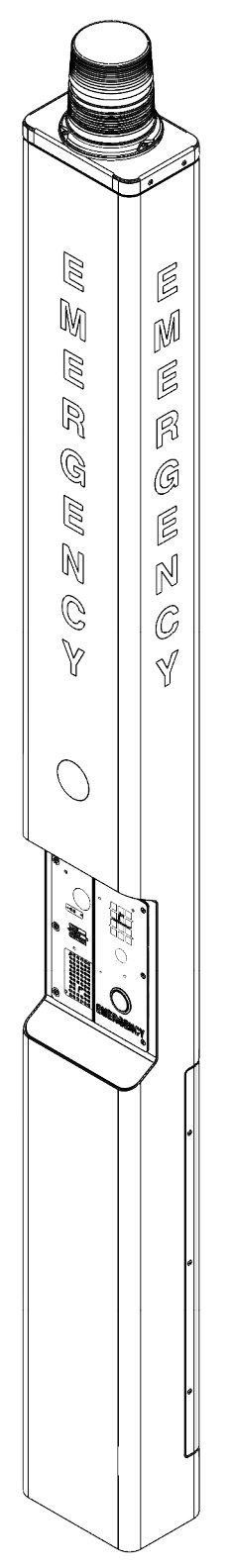
SIDE VIEW



REAR VIEW



FOOT PRINT




ISOMETRIC VIEW

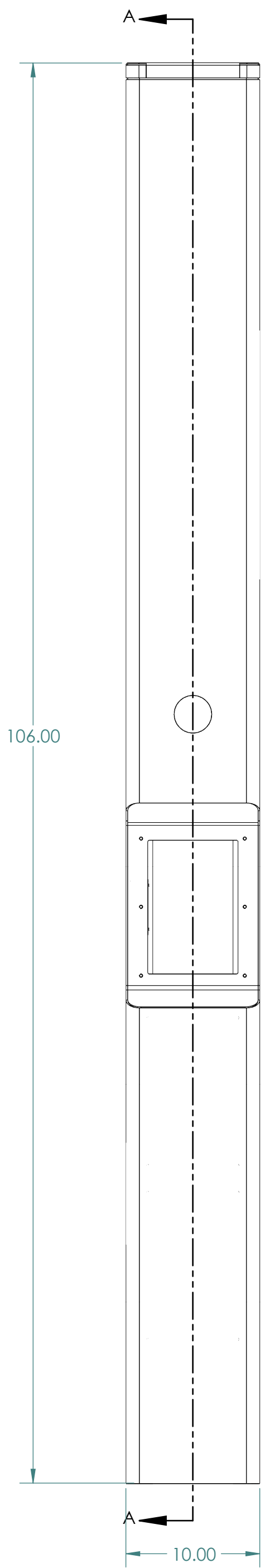
OP2: CAMERA CUTOUT
OP3: CAMERA MOUNTED
BEHIND CUTOUT

PHONE MODEL:
VOIP-600
[SHOWN FOR
ILLUSTRATIVE PURPOSES]

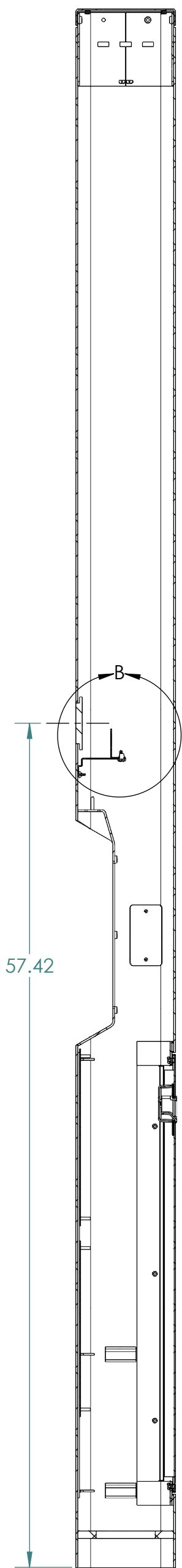
FINISH

PROPRIETARY AND CONFIDENTIAL
THE INFORMATION CONTAINED IN THIS
DRAWING IS THE SOLE PROPERTY OF
TALK-A-PHONE, LLC. ANY
REPRODUCTION IN PART OR AS A WHOLE
WITHOUT THE WRITTEN PERMISSION OF
TALK-A-PHONE, LLC IS PROHIBITED.

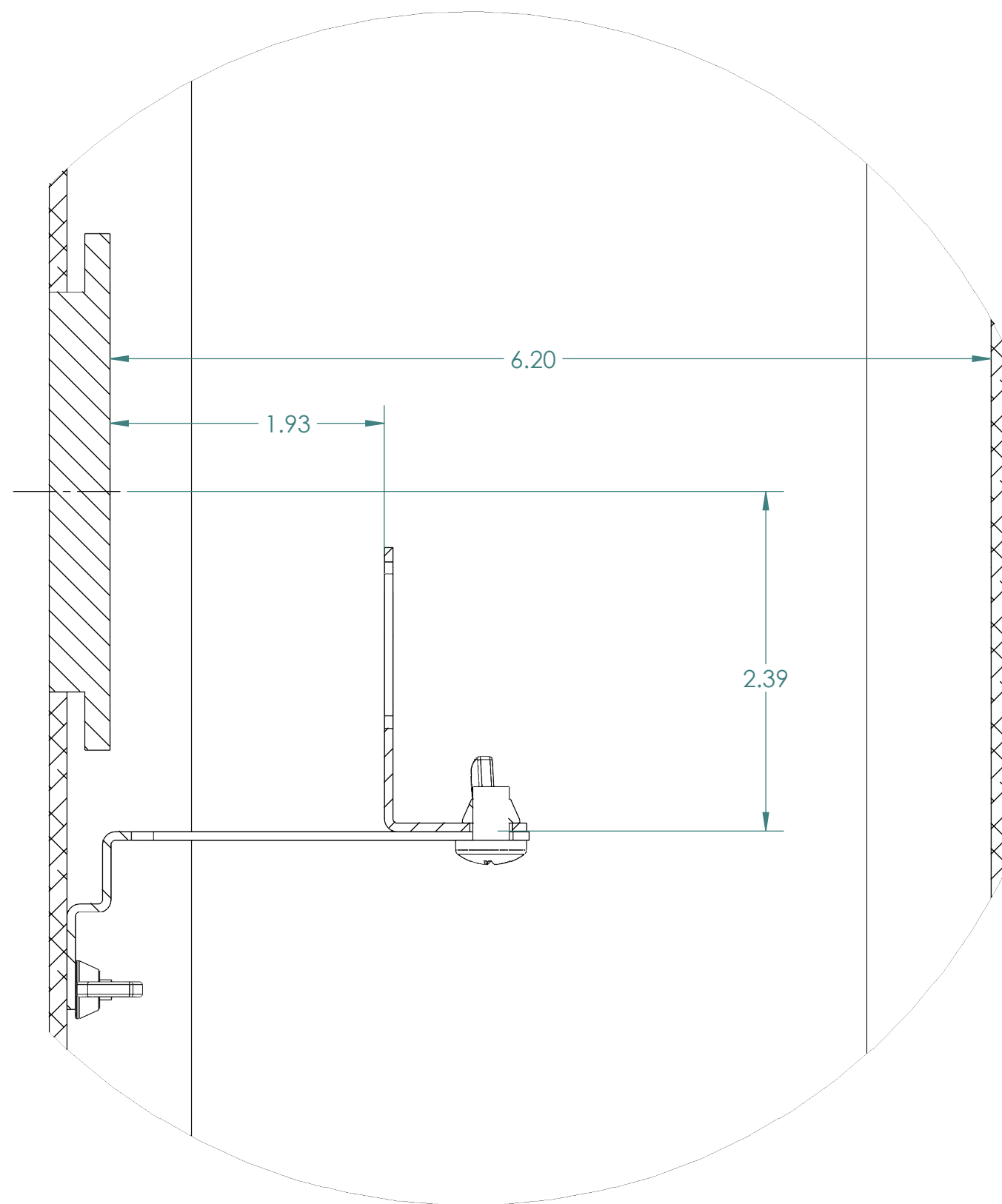
1.0	PRELIMINARY RELEASE	03/09/2018	M OBAL
REV.	DESCRIPTION	DATE	APPROVED
REVISIONS			
DRAWN	NAME M OBAL	DATE 03/08/2018	
CHECKED			
ENG APPR.			
MFG APPR.			
Q.A.			
COMMENTS:			
 TALKAPHONE TALK-A-PHONE, LLC 7530 N. NATCHEZ AVE., NILES, IL 60714 WWW.TALKAPHONE.COM		DWG. NO. SIZE PART NO. ETP-MTE-OP2 REV C DWG. TITLE: 1.0 SCALE: 1:16 WEIGHT: SHEET 1 OF 2	



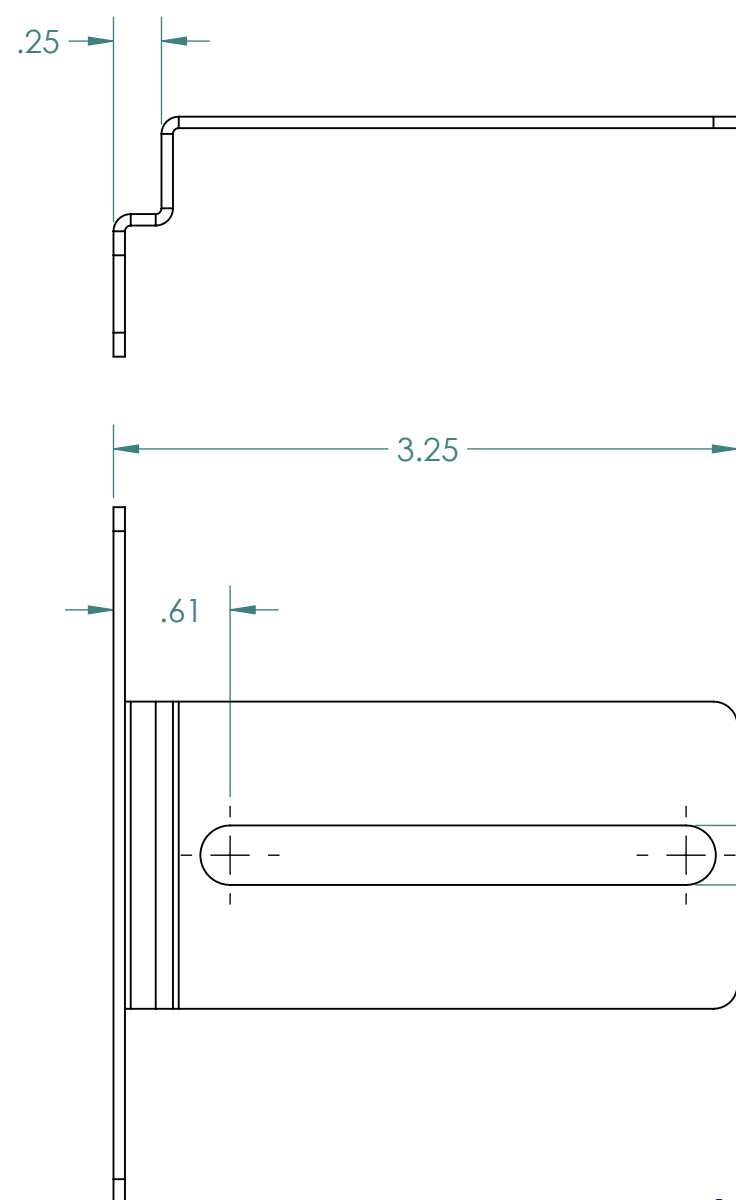
FRONT VIEW



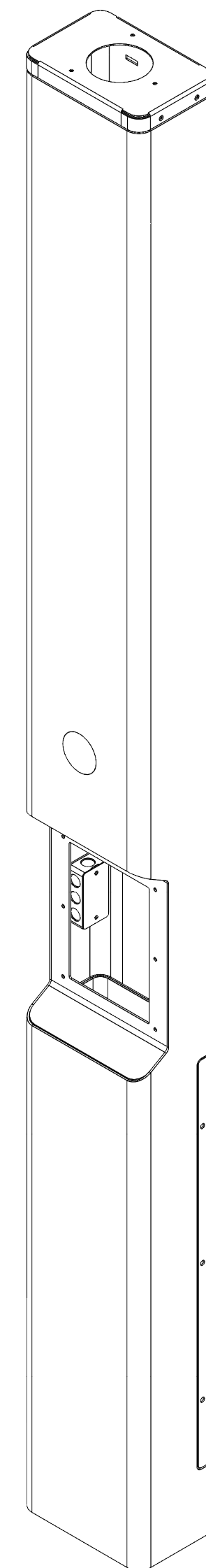
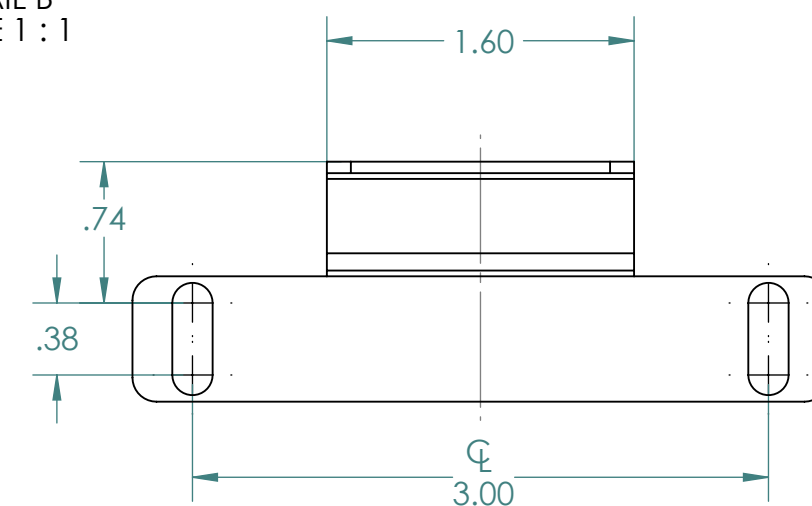
**SECTION A-A
SCALE 1 : 8**




**DETAIL B
SCALE 1 : 1**



MOUNTING BRACKET



ISOMETRIC VIEW

1.0	PRELIMINARY RELEASE	03/08/2018	M OBAL
REV.	DESCRIPTION	DATE	APPROVED
REVISIONS			
DRAWN	NAME	DATE	
CHECKED	M OBAL	03/08/2018	
ENG APPR.			
MFG APPR.			
Q.A.			
COMMENTS:			
 TALKAPHONE TALK-A-PHONE, LLC 7530 N. NATCHEZ AVE., NILES, IL 60714 WWW.TALKAPHONE.COM		DWG. NO. SIZE PART NO. ETP-MTE-OP2 REV DWG. TITLE: 1.0 SCALE: 1:16 WEIGHT: SHEET 2 OF 2	

FINISH
 PROPRIETARY AND CONFIDENTIAL
 THE INFORMATION CONTAINED IN THIS
 DRAWING IS THE SOLE PROPERTY OF
 TALK-A-PHONE, LLC. ANY
 REPRODUCTION IN PART OR AS A WHOLE
 WITHOUT THE WRITTEN PERMISSION OF
 TALK-A-PHONE, LLC IS PROHIBITED.