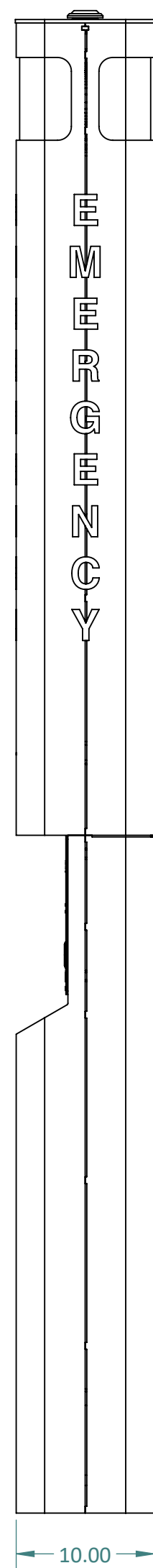


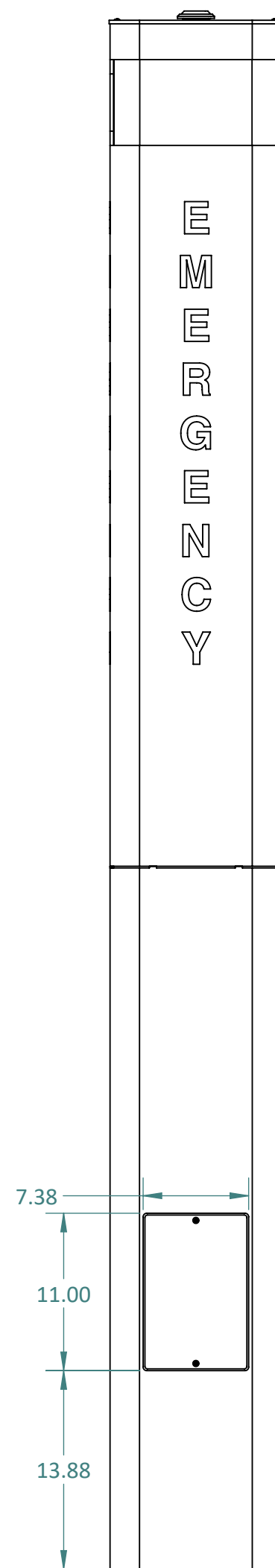
**FRONT VIEW**

OP3IP CAMERA MODEL:  
AXIS M1135 MK II  
[SPECIFICATIONS ARE SUBJECT TO  
CHANGE WITHOUT NOTICE]

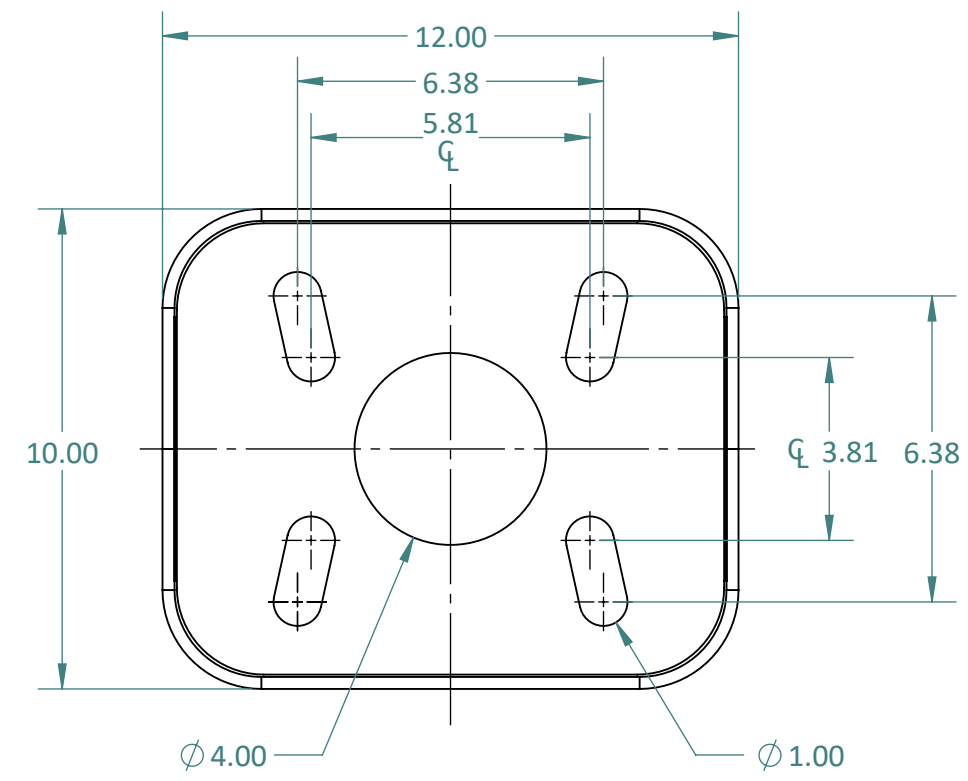
CALL STATION MODEL:  
VOIP-500E  
[SHOWN FOR  
ILLUSTRATIVE PURPOSES]



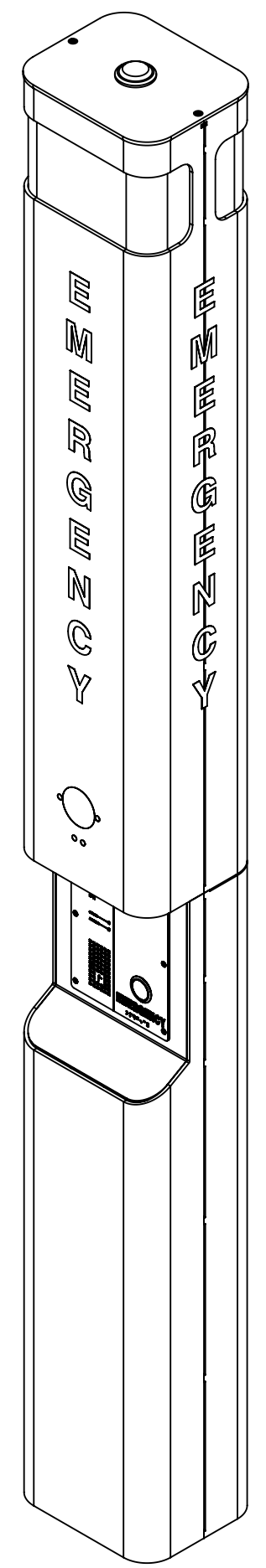
**SIDE VIEW**



**REAR VIEW**



**FOOT PRINT**



**ISOMETRIC VIEW**

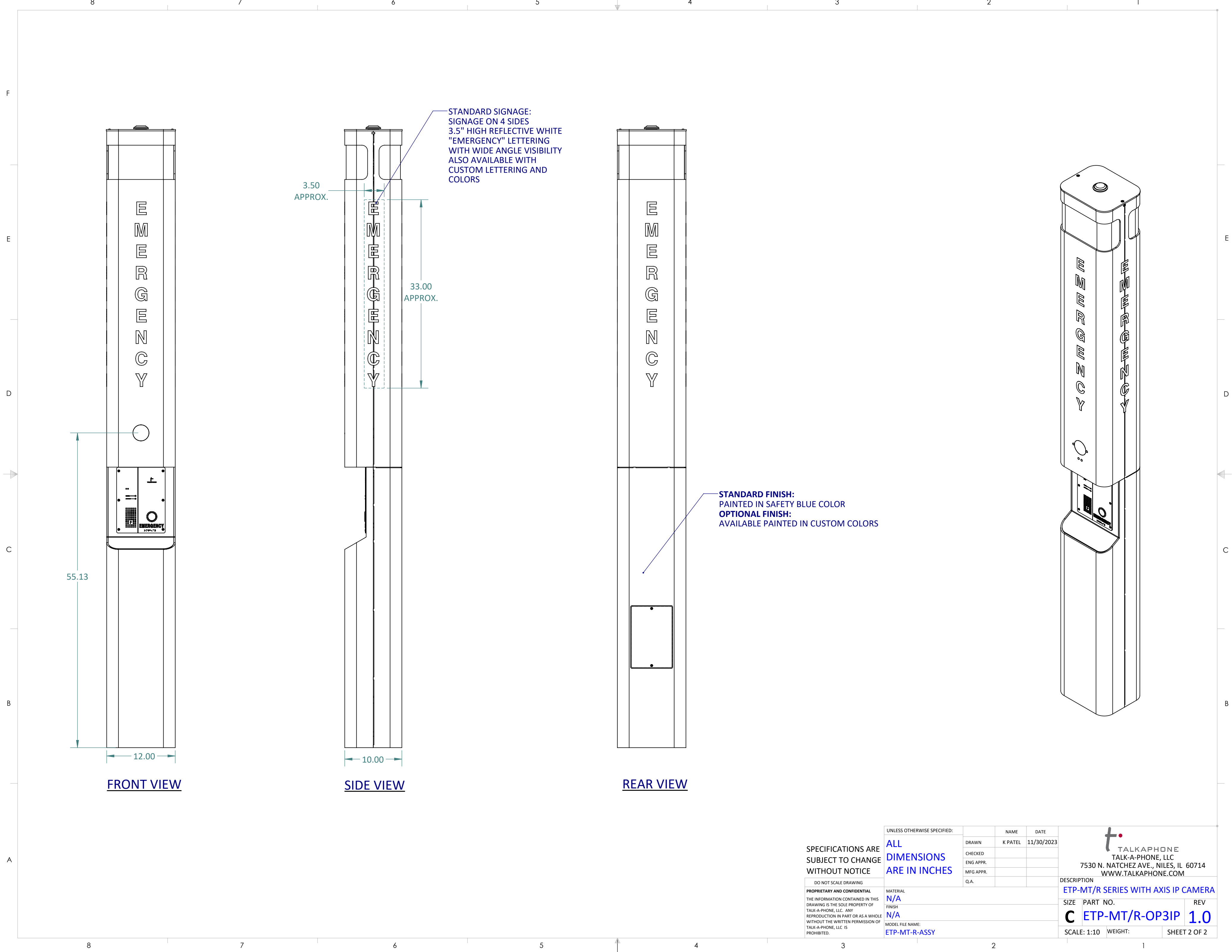
SPECIFICATIONS ARE  
SUBJECT TO CHANGE  
WITHOUT NOTICE

DO NOT SCALE DRAWING  
PROPRIETARY AND CONFIDENTIAL  
THE INFORMATION CONTAINED IN THIS  
DRAWING IS THE SOLE PROPERTY OF  
TALK-A-PHONE, LLC. ANY  
REPRODUCTION IN PART OR AS A WHOLE  
WITHOUT THE WRITTEN PERMISSION OF  
TALK-A-PHONE, LLC IS  
PROHIBITED.

1.0	MARKETING RELEASE	11/30/2023	K PATEL
REV.	DESCRIPTION	DATE	APPROVED
REVISIONS			
UNLESS OTHERWISE SPECIFIED:			
DRAWN	NAME	DATE	
CHECKED	K PATEL	11/30/2023	
ENG APPR.			
MFG APPR.			
Q.A.			
MATERIAL		DESCRIPTION	
N/A		ETP-MT/R SERIES WITH AXIS IP CAMERA	
FINISH		SIZE PART NO.	
N/A		C ETP-MT/R-OP3IP 1.0	
MODEL FILE NAME:		SCALE: 1:10 WEIGHT:	
ETP-MT-R-ASSY		SHEET 1 OF 2	

**ALL  
DIMENSIONS  
ARE IN INCHES**

**TALKAPHONE**  
TALK-A-PHONE, LLC  
7530 N. NATCHEZ AVE., NILES, IL 60714  
WWW.TALKAPHONE.COM



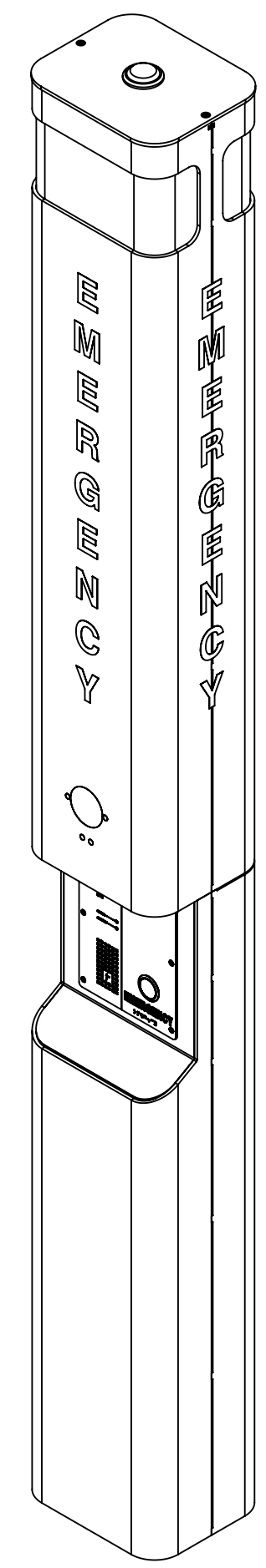
STANDARD SIGNAGE:  
SIGNAGE ON 4 SIDES  
3.5" HIGH REFLECTIVE WHITE  
"EMERGENCY" LETTERING  
WITH WIDE ANGLE VISIBILITY  
ALSO AVAILABLE WITH  
CUSTOM LETTERING AND  
COLORS

STANDARD FINISH:  
PAINTED IN SAFETY BLUE COLOR  
OPTIONAL FINISH:  
AVAILABLE PAINTED IN CUSTOM COLORS

**FRONT VIEW**

**SIDE VIEW**

**REAR VIEW**



SPECIFICATIONS ARE  
SUBJECT TO CHANGE  
WITHOUT NOTICE

DO NOT SCALE DRAWING  
PROPRIETARY AND CONFIDENTIAL  
THE INFORMATION CONTAINED IN THIS  
DRAWING IS THE SOLE PROPERTY OF  
TALK-A-PHONE, LLC. ANY  
REPRODUCTION IN PART OR AS A WHOLE  
WITHOUT THE WRITTEN PERMISSION OF  
TALK-A-PHONE, LLC IS  
PROHIBITED.

UNLESS OTHERWISE SPECIFIED:		NAME	DATE
DRAWN		K PATEL	11/30/2023
CHECKED			
ENG APPR.			
MFG APPR.			
Q.A.			

**ALL  
DIMENSIONS  
ARE IN INCHES**

MATERIAL: N/A  
FINISH: N/A  
MODEL FILE NAME:  
ETP-MT-R-ASSY

**t.** TALKAPHONE  
TALK-A-PHONE, LLC  
7530 N. NATCHEZ AVE., NILES, IL 60714  
WWW.TALKAPHONE.COM

DESCRIPTION  
**ETP-MT/R SERIES WITH AXIS IP CAMERA**

SIZE	PART NO.	REV
<b>C</b>	<b>ETP-MT/R-OP3IP</b>	<b>1.0</b>

SCALE: 1:10 WEIGHT: SHEET 2 OF 2