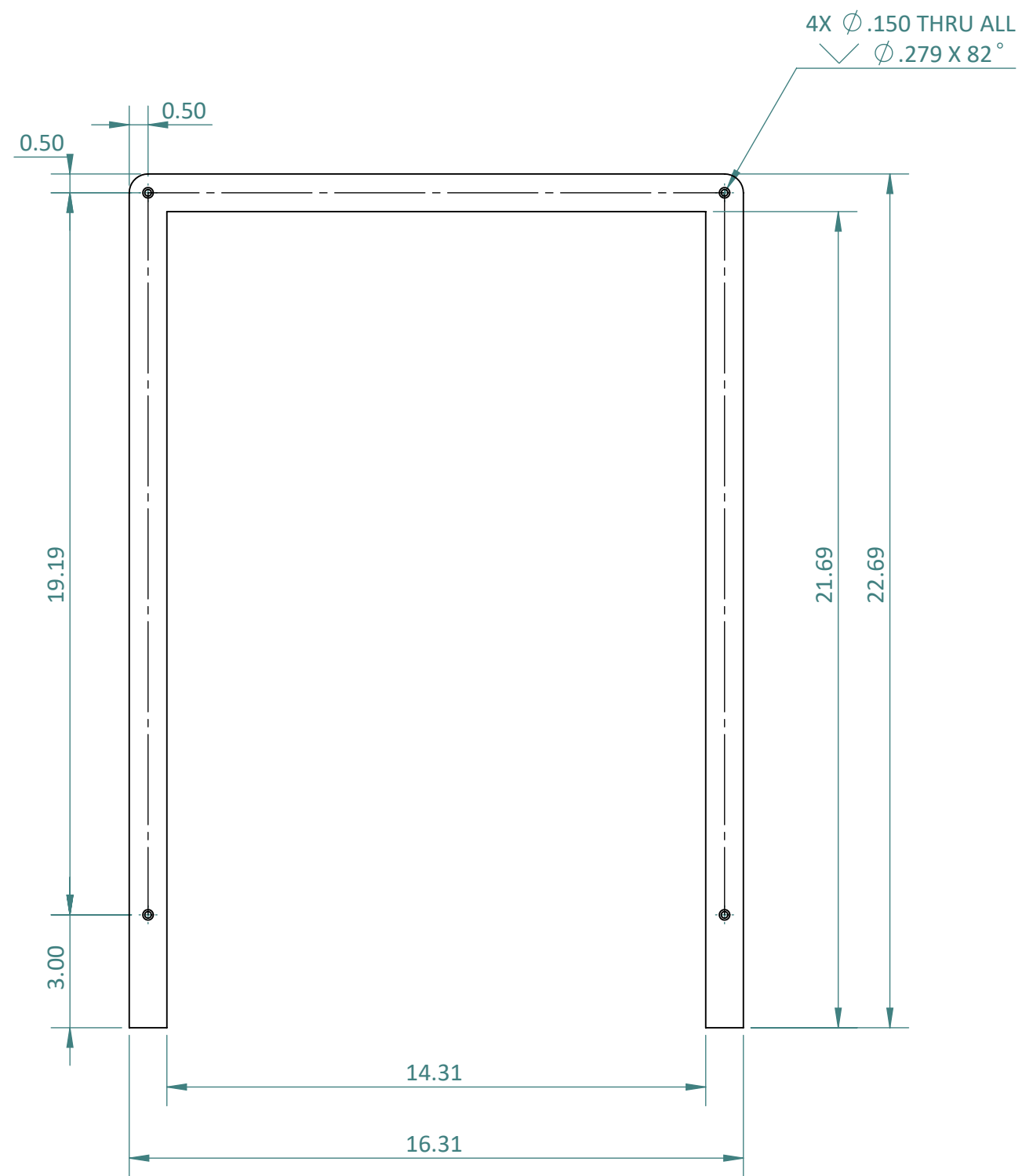


GENERAL NOTES:

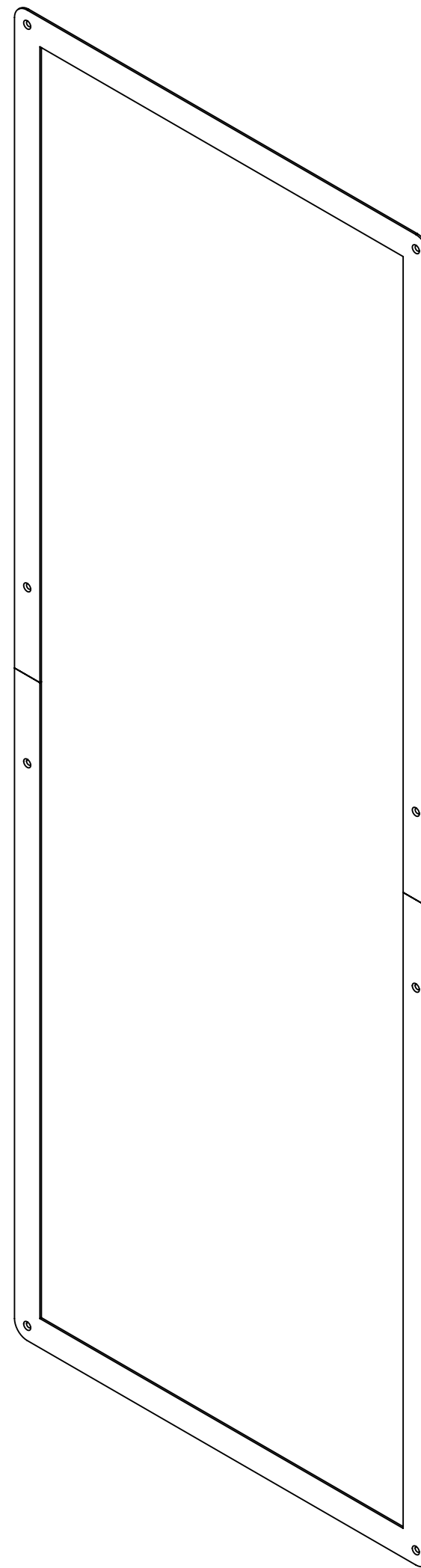
QTY. 2 AOR-32 TRIM RINGS ARE NEEDED FOR EACH AOR-24 OR AOR-32 COMMAND UNITS.



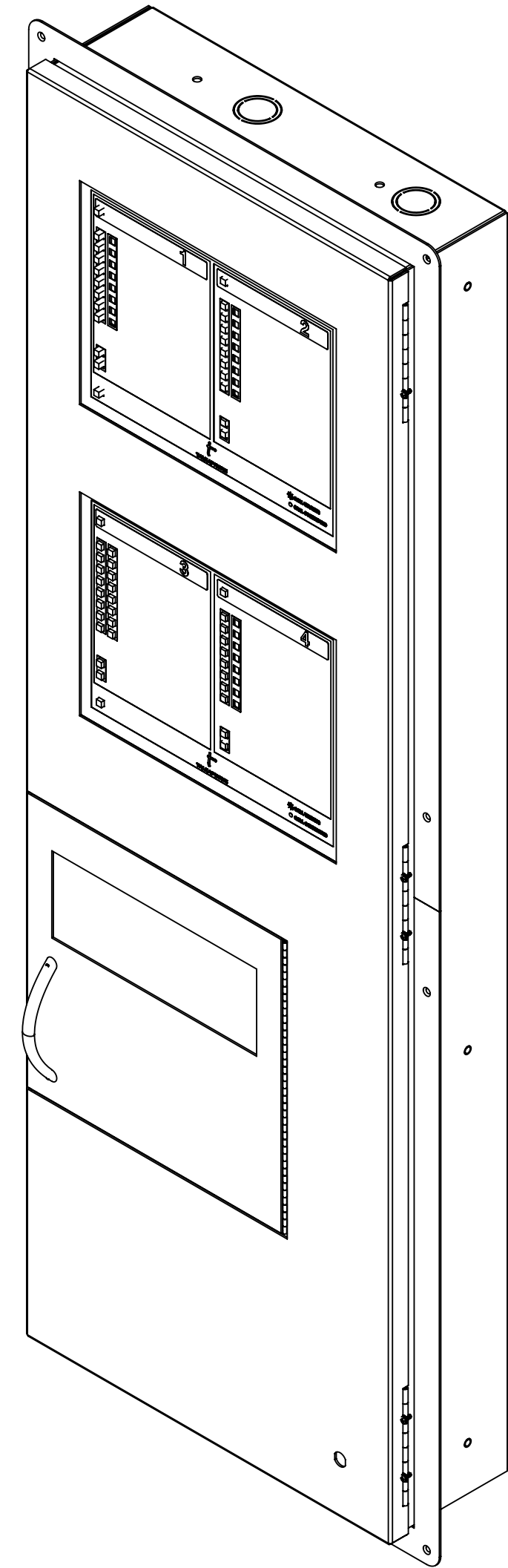
FRONT VIEW



TOP VIEW



ISOMETRIC VIEW



**TRIM RING (2X) SHOWN WITH
COMMAND UNIT FOR ILLUSTRATION**

1.0	MARKETING RELEASE	7/8/2021	J MAHETALIA
REV.	DESCRIPTION	DATE	APPROVED
REVISIONS			
UNLESS OTHERWISE SPECIFIED:	NAME	DATE	
DIMENSIONS ARE IN INCHES	DRAWN	J MAHETALIA	7/8/2021
TOLERANCES:	CHECKED	K PATEL	7/8/2021
DRILL HOLE -0.00 / +0.003	ENG APPR.		
ANGULAR: MACH ± BEND ±1*	MFG APPR.		
TWO PLACE DECIMAL ±0.01	Q.A.		
THREE PLACE DECIMAL ±0.005	COMMENTS:		
INTERPRET GEOMETRIC TOLERANCING PER: ASME Y14.5M-1994			
MATERIAL:			
FINISH:			
MODEL FILE NAME:			
DWG. TITLE: AOR-24-32 TRIM RING		TALKAPHONE TALK-A-PHONE, LLC 7530 N. NATCHEZ AVE. NILES, IL 60714 WWW.TALKAPHONE.COM	
SIZE	PART NO.	REV	
C	AOR-TR32	1.0	
DWG. NO.			
SCALE: 1:2	WEIGHT:		SHEET 1 OF 1

DO NOT SCALE DRAWING
 PROPRIETARY AND CONFIDENTIAL
 THE INFORMATION CONTAINED IN THIS DRAWING IS THE SOLE PROPERTY OF TALK-A-PHONE, LLC. ANY REPRODUCTION IN PART OR AS A WHOLE WITHOUT THE WRITTEN PERMISSION OF TALK-A-PHONE, LLC IS PROHIBITED.