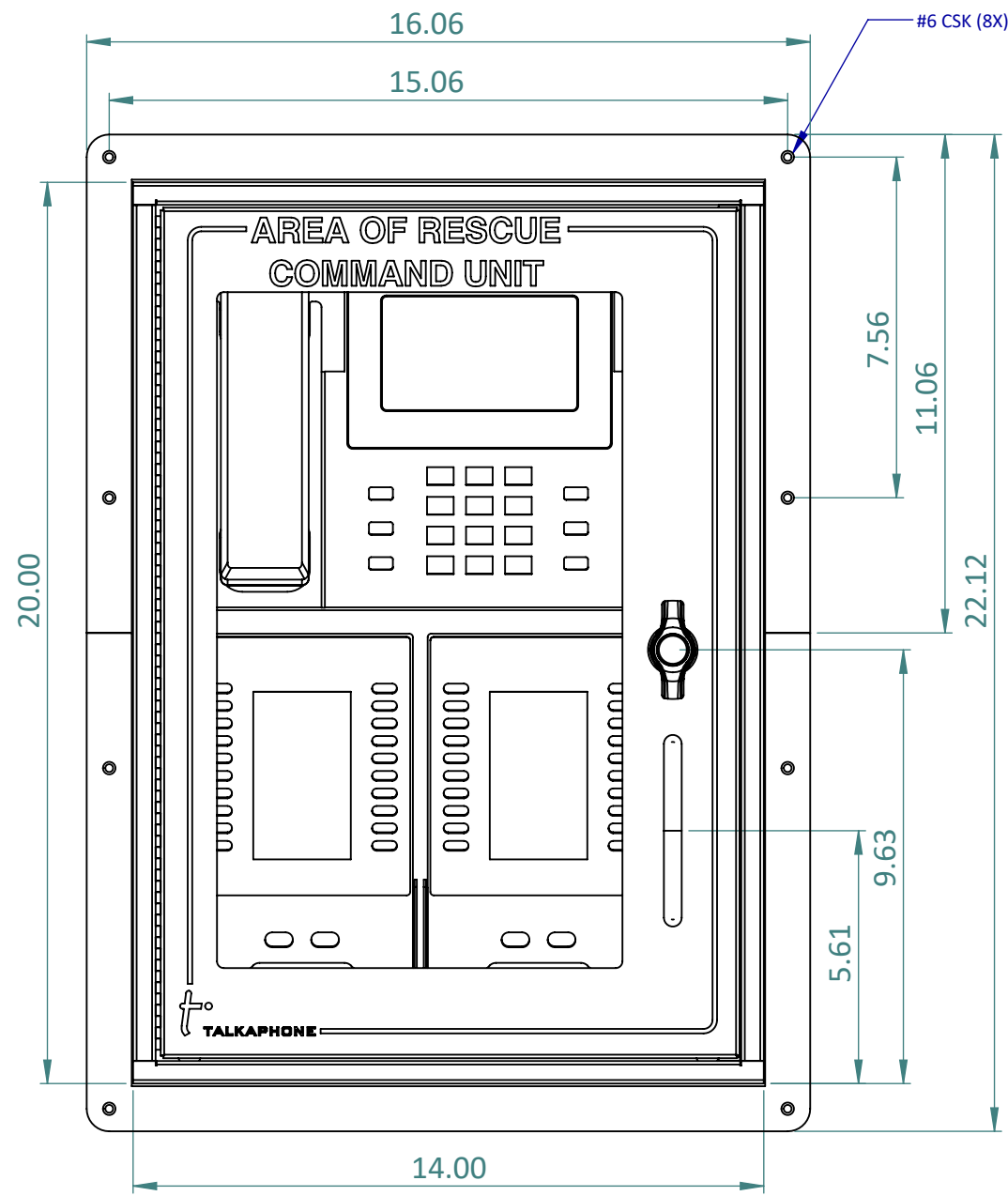
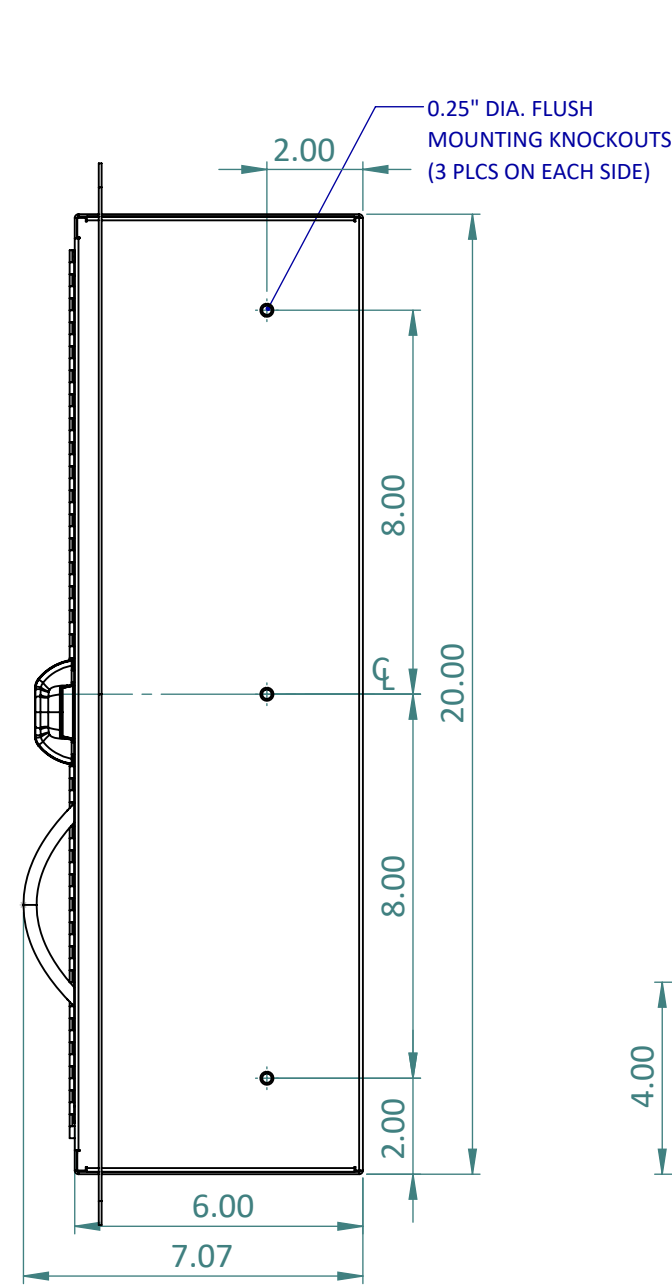


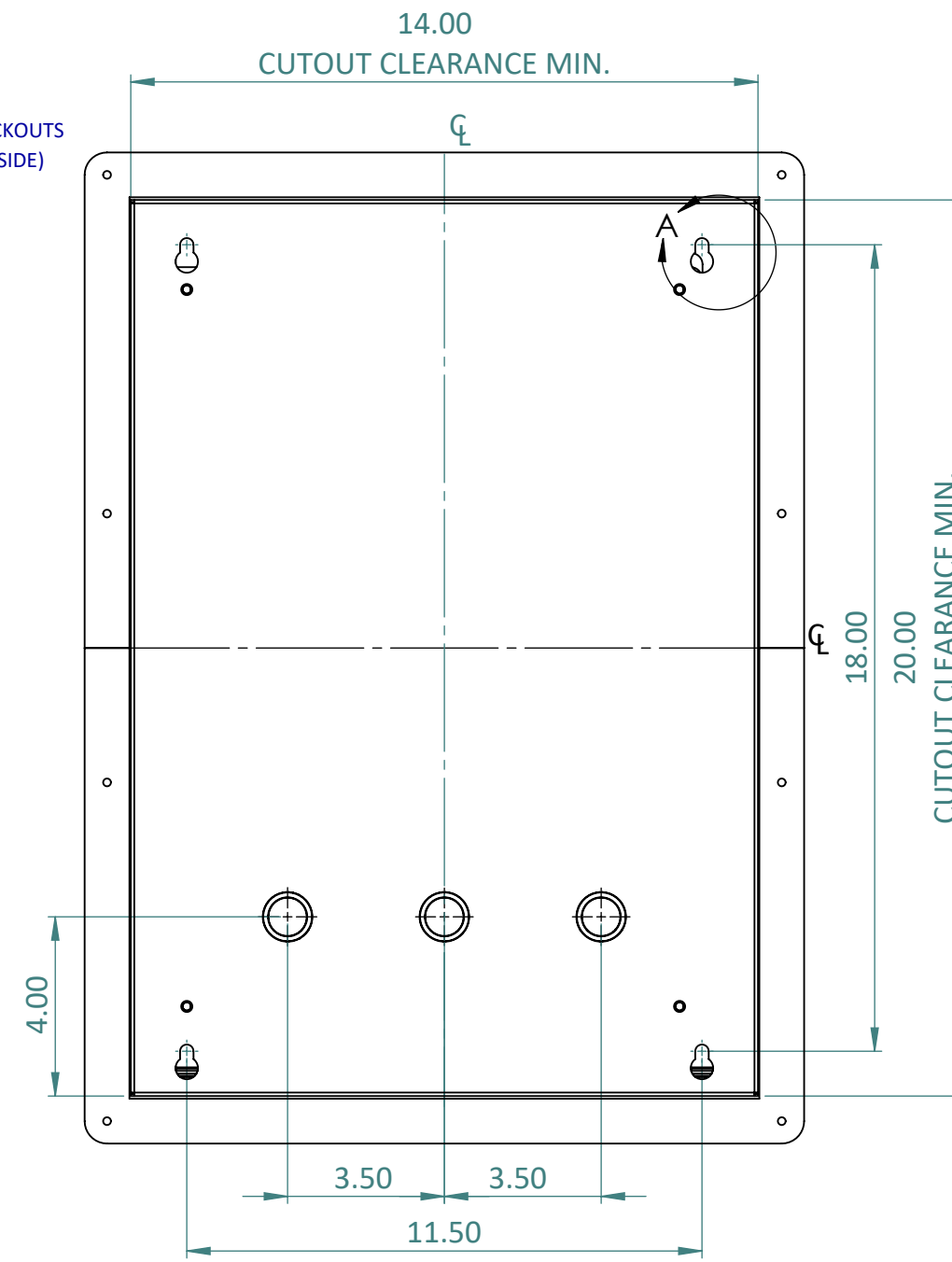
GENERAL NOTES:
 FOR FLUSH MOUNT APPLICATION:
 MODEL NO.: AOR-IP-TR80 TRIM RING DOES NOT MOUNT TO THE ENCLASURE AND IS INSTALLED DIRECTLY TO THE WALL FOR ROUGH-IN COVER UP.



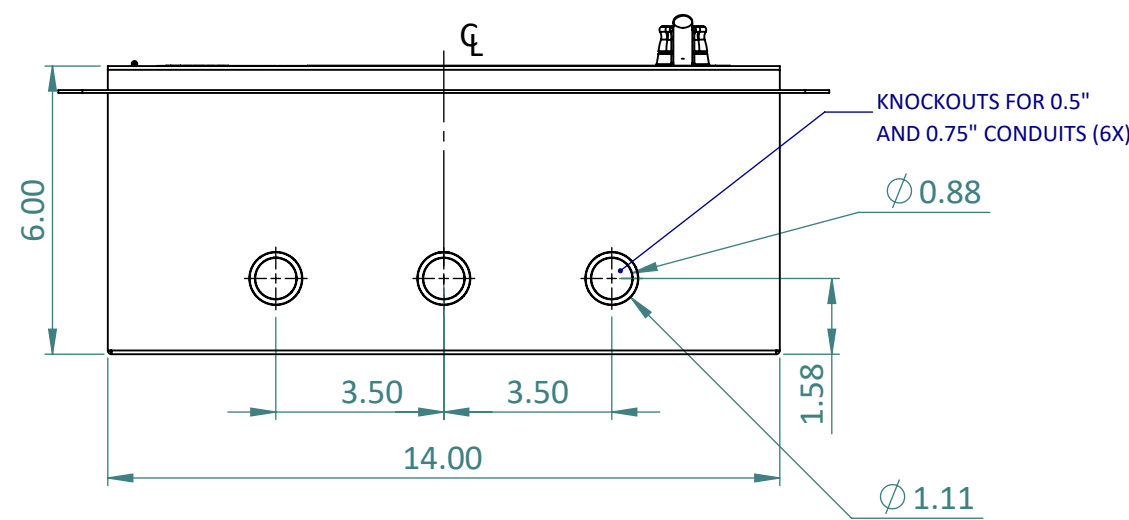
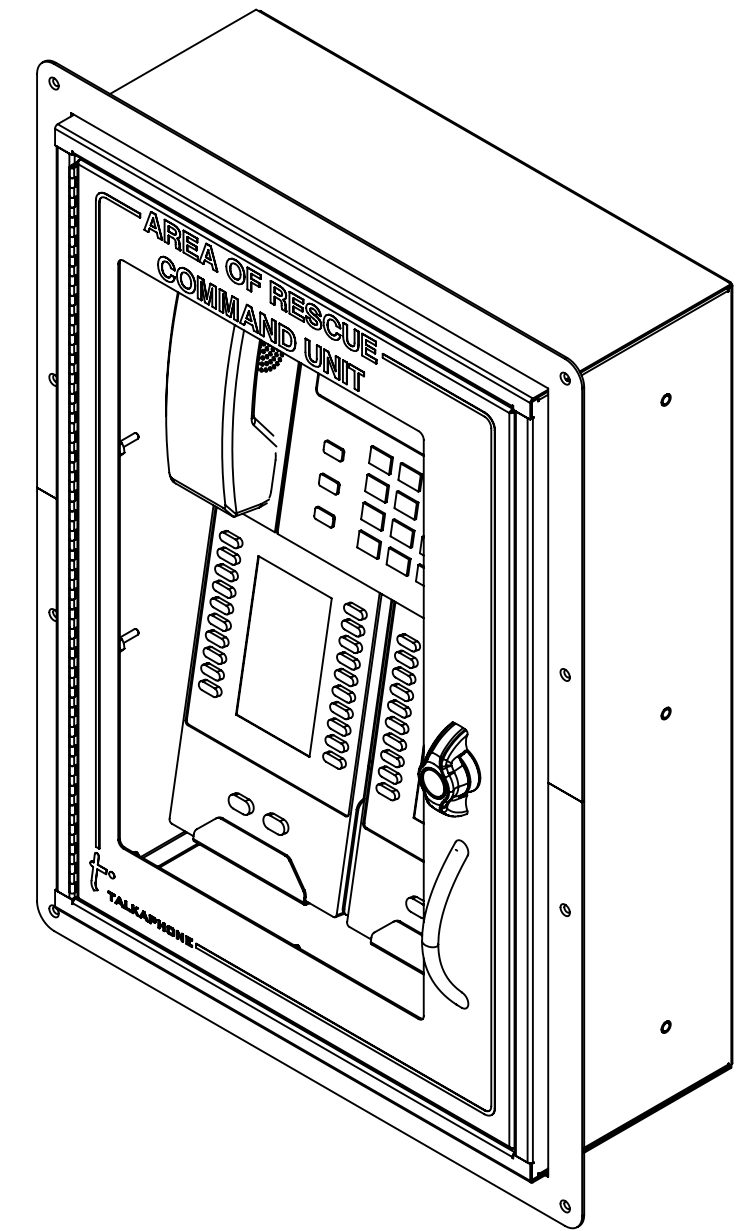
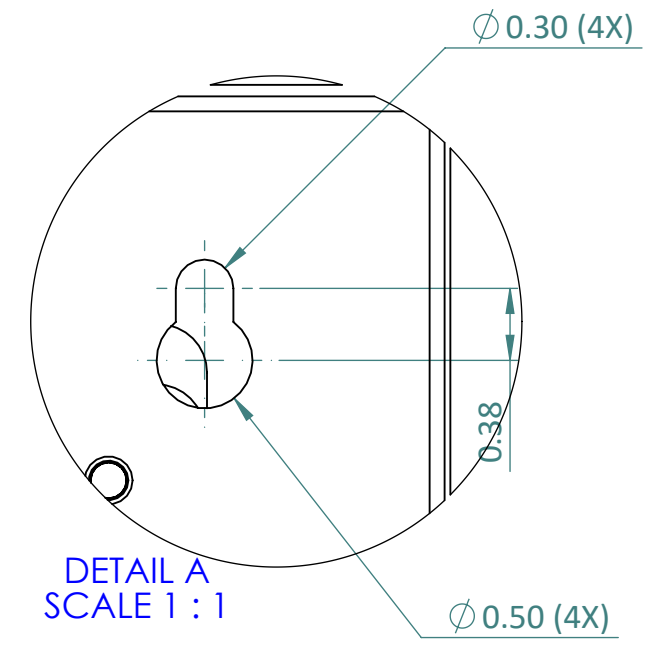
FRONT VIEW



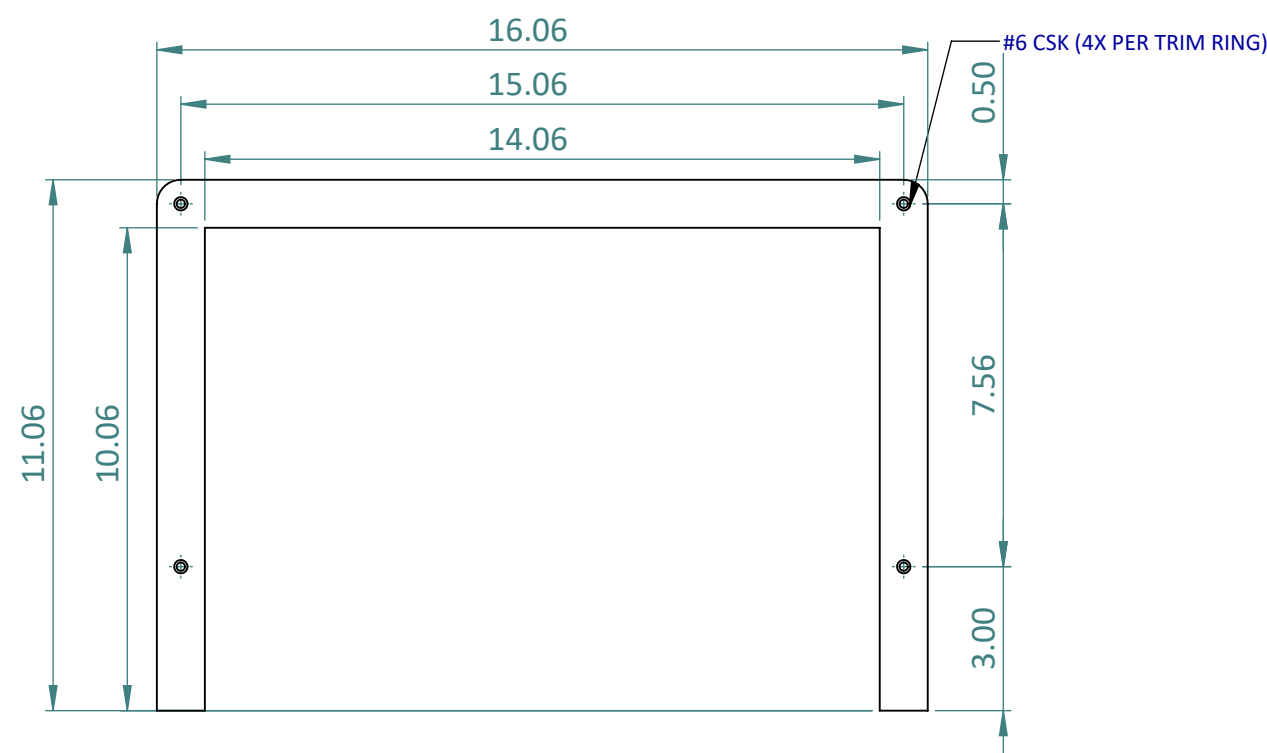
SIDE VIEW



REAR VIEW



BOTTOM VIEW



MODEL NO.: AOR-IP-TR80
 TRIM RING FOR AOR-IP-40-CU AND AOR-IP-80-CU
 QTY: 2 REQUIRED (FOR TOP AND DOWN)

1.0	MARKETING RELEASE	04/07/2020	K PATEL
REV.	DESCRIPTION	DATE	APPROVED
REVISIONS			
	NAME	DATE	
DRAWN	K PATEL	04/07/2020	
CHECKED			
ENG APPR.			
MFG APPR.			
Q.A.			
COMMENTS:			
PROPRIETARY AND CONFIDENTIAL THE INFORMATION CONTAINED IN THIS DRAWING IS THE SOLE PROPERTY OF TALK-A-PHONE, LLC. ANY REPRODUCTION IN PART OR AS A WHOLE WITHOUT THE WRITTEN PERMISSION OF TALK-A-PHONE, LLC IS PROHIBITED.		TALKAPHONE TALK-A-PHONE, LLC 7530 N. NATCHEZ AVE., NILES, IL 60714 WWW.TALKAPHONE.COM	
		DWG. NO. _____ SIZE PART NO. AOR-IP-80-CU AND AOR-IP-TR80 DWG. TITLE: AREA OF RESCUE COMMAND UNIT, 80 STATIONS, FLUSH MOUNT SCALE: 1:4 WEIGHT: _____	REV 1.0
		SHEET 1 OF 1	