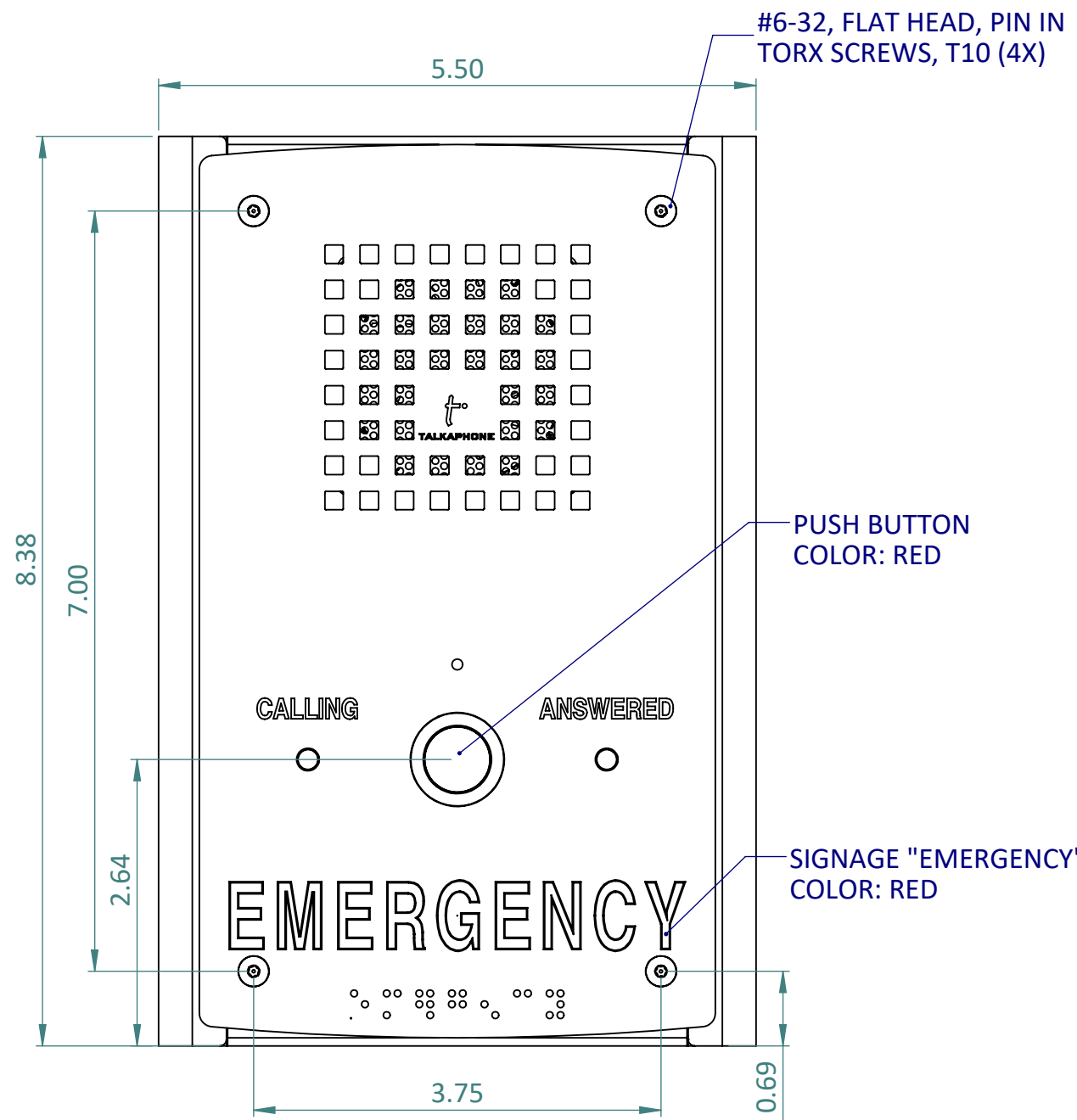
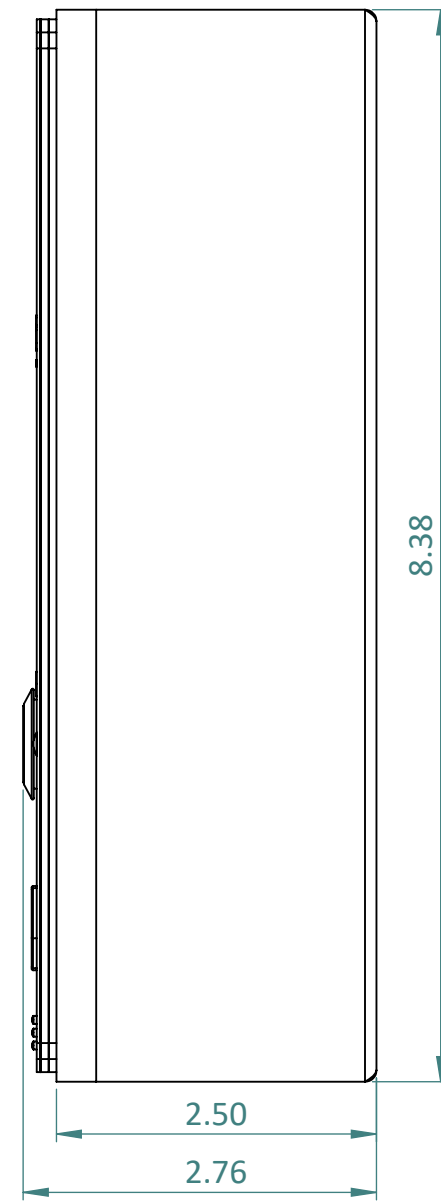


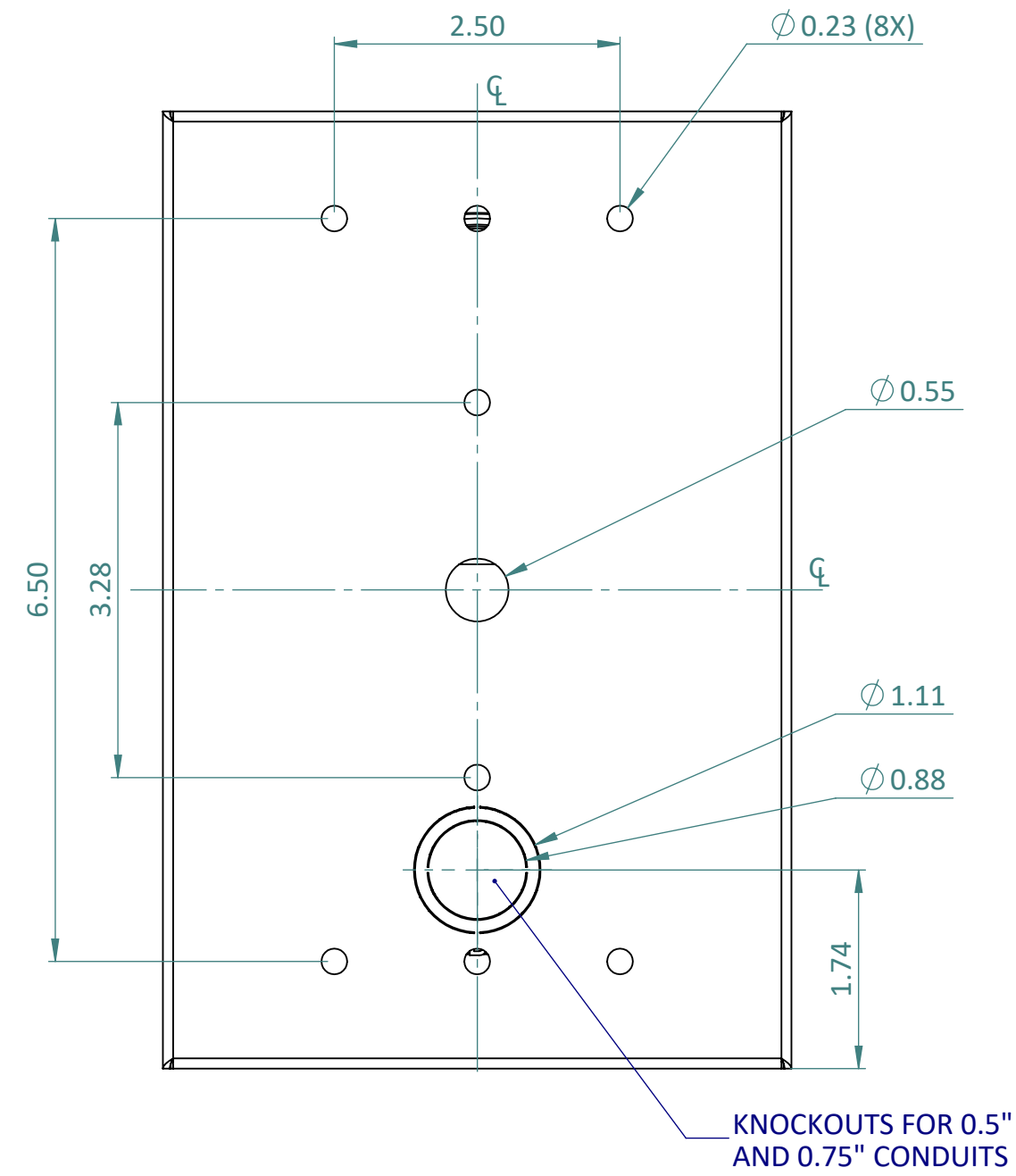
TOP VIEW



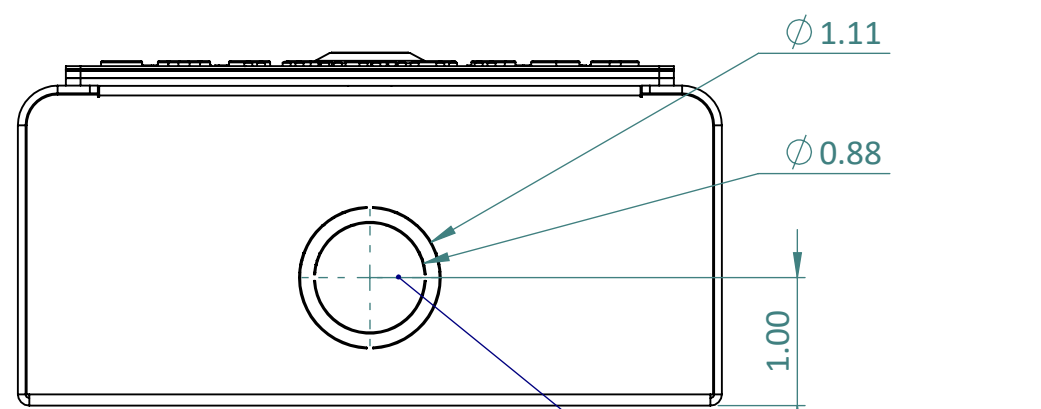
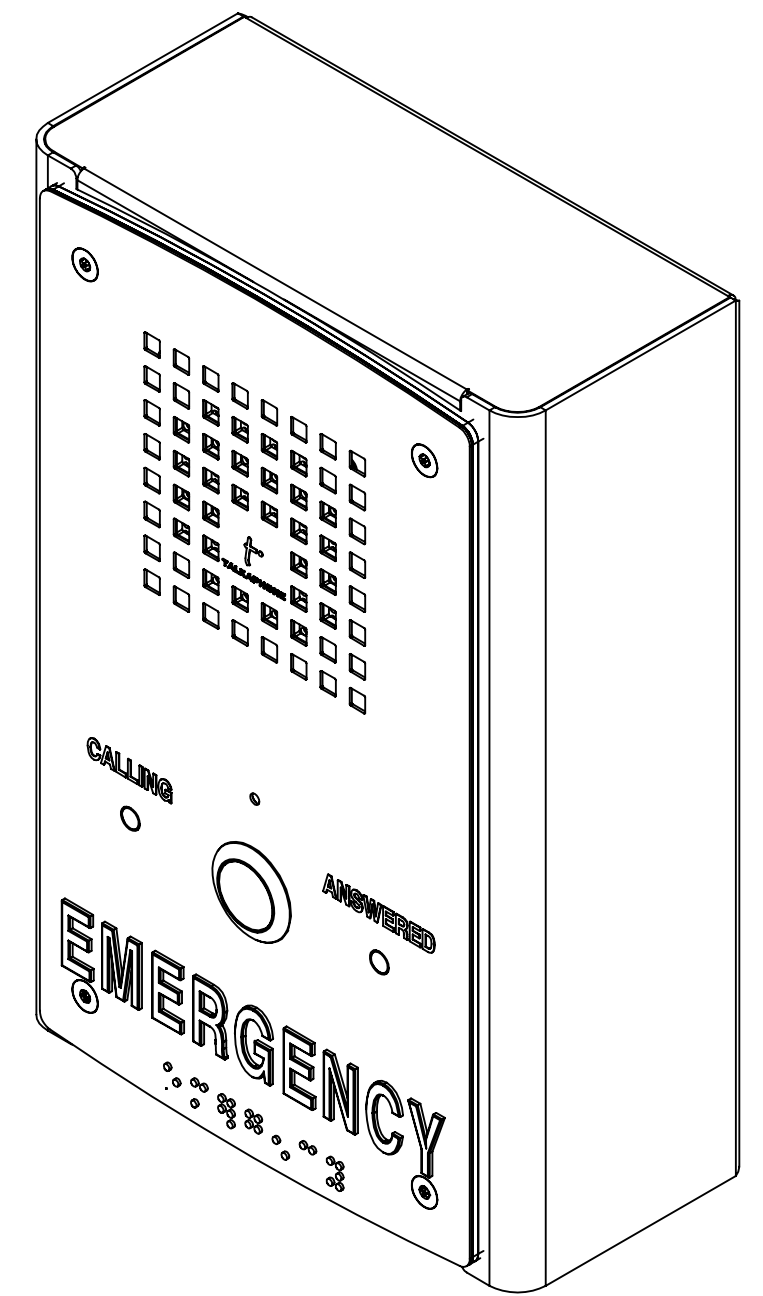
FRONT VIEW



SIDE VIEW



REAR VIEW



BOTTOM VIEW

KNOCKOUTS FOR 0.5" AND 0.75" CONDUITS

2.0	MARKETING RELEASE	3/18/2025	K PATEL
1.0	MARKETING RELEASE	2/12/2021	J MAHETALIA
REV.	DESCRIPTION	DATE	APPROVED

REVISIONS			
NO.	DESCRIPTION	DATE	BY
1	UNLESS OTHERWISE SPECIFIED: DIMENSIONS ARE IN INCHES TOLERANCES: DRILL HOLE -0.00/+0.003 ANGULAR: MACH ± 1° BEND ± 1° TWO PLACE DECIMAL ± 0.01 THREE PLACE DECIMAL ± 0.005	3/18/2025	K PATEL
2	CHECKED		
3	ENG APPR.		
4	MFG APPR.		
5	Q.A.		

SPECIFICATIONS ARE SUBJECT TO CHANGE WITHOUT NOTICE  
 DO NOT SCALE DRAWING  
 PROPRIETARY AND CONFIDENTIAL THE INFORMATION CONTAINED IN THIS DRAWING IS THE SOLE PROPERTY OF TALK-A-PHONE, LLC. ANY REPRODUCTION IN PART OR AS A WHOLE WITHOUT THE WRITTEN PERMISSION OF TALK-A-PHONE, LLC IS PROHIBITED.

TALKAPHONE  
 TALK-A-PHONE, LLC  
 7530 N. NATCHEZ AVE., NILES, IL 60714  
 WWW.TALKAPHONE.COM

DESCRIPTION  
 AOR-IP CALL STATION SERIES, SURFACE MOUNT

SIZE PART NO. REV  
**C AOR-IP-CSE-FM 2.0**

SCALE: 1:2 WEIGHT: SHEET 1 OF 1