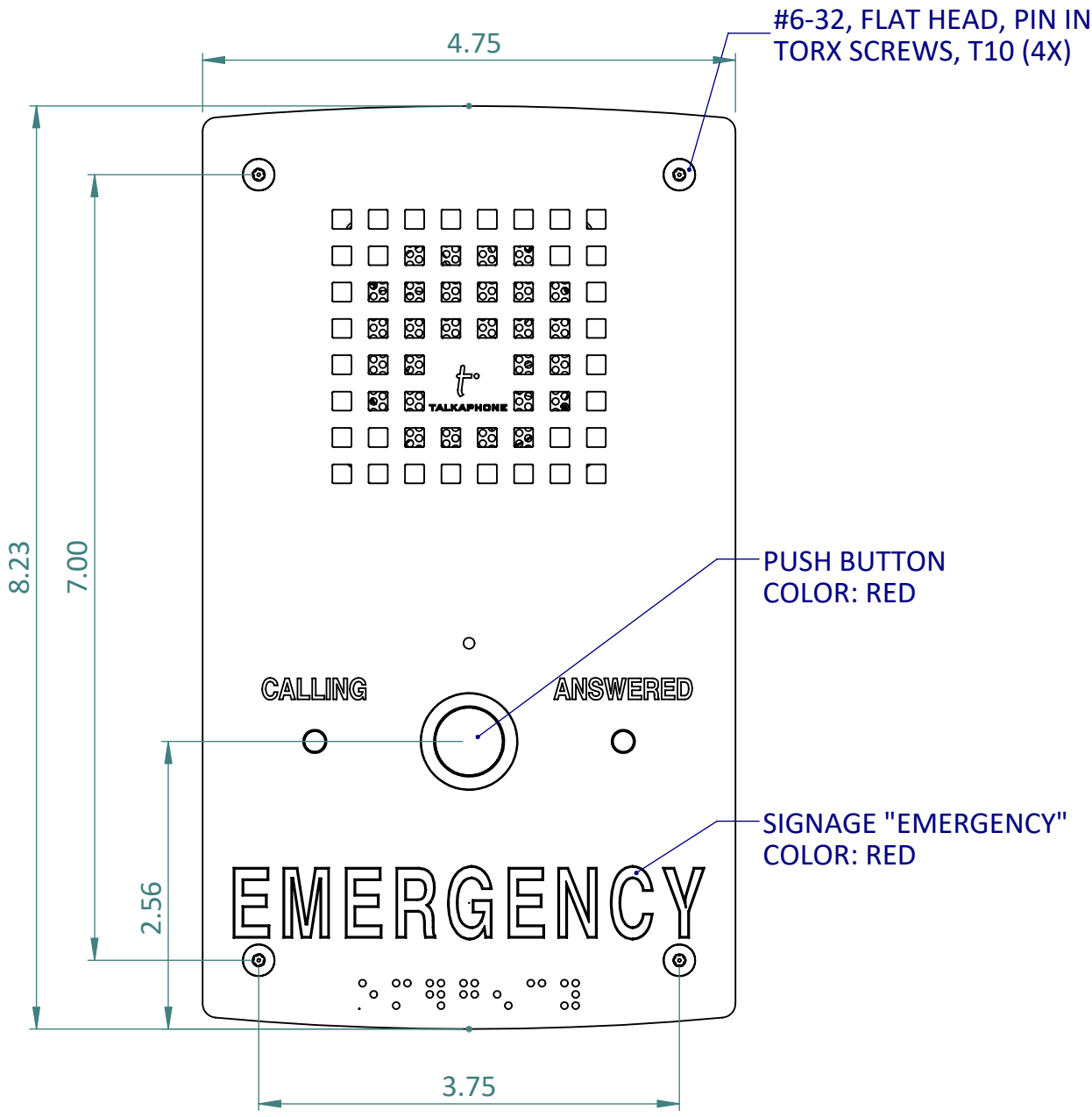


TOP VIEW

KNOCKOUTS FOR 0.5" AND 0.75" CONDUITS

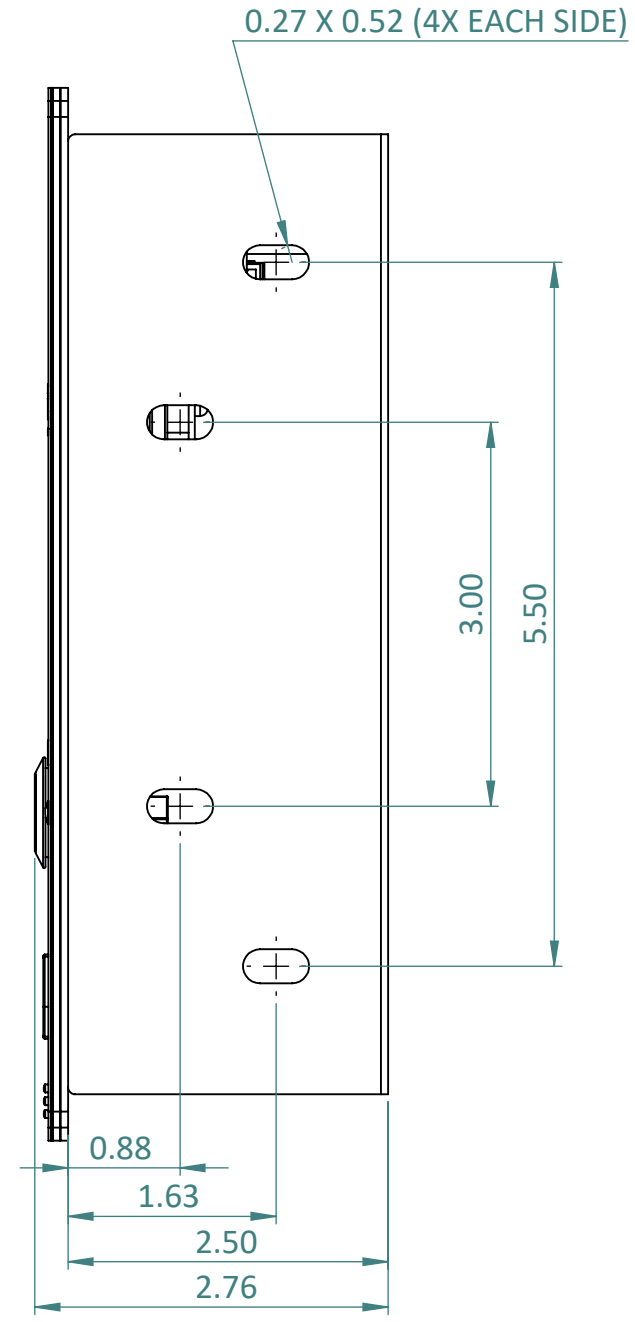


FRONT VIEW

#6-32, FLAT HEAD, PIN IN TORX SCREWS, T10 (4X)

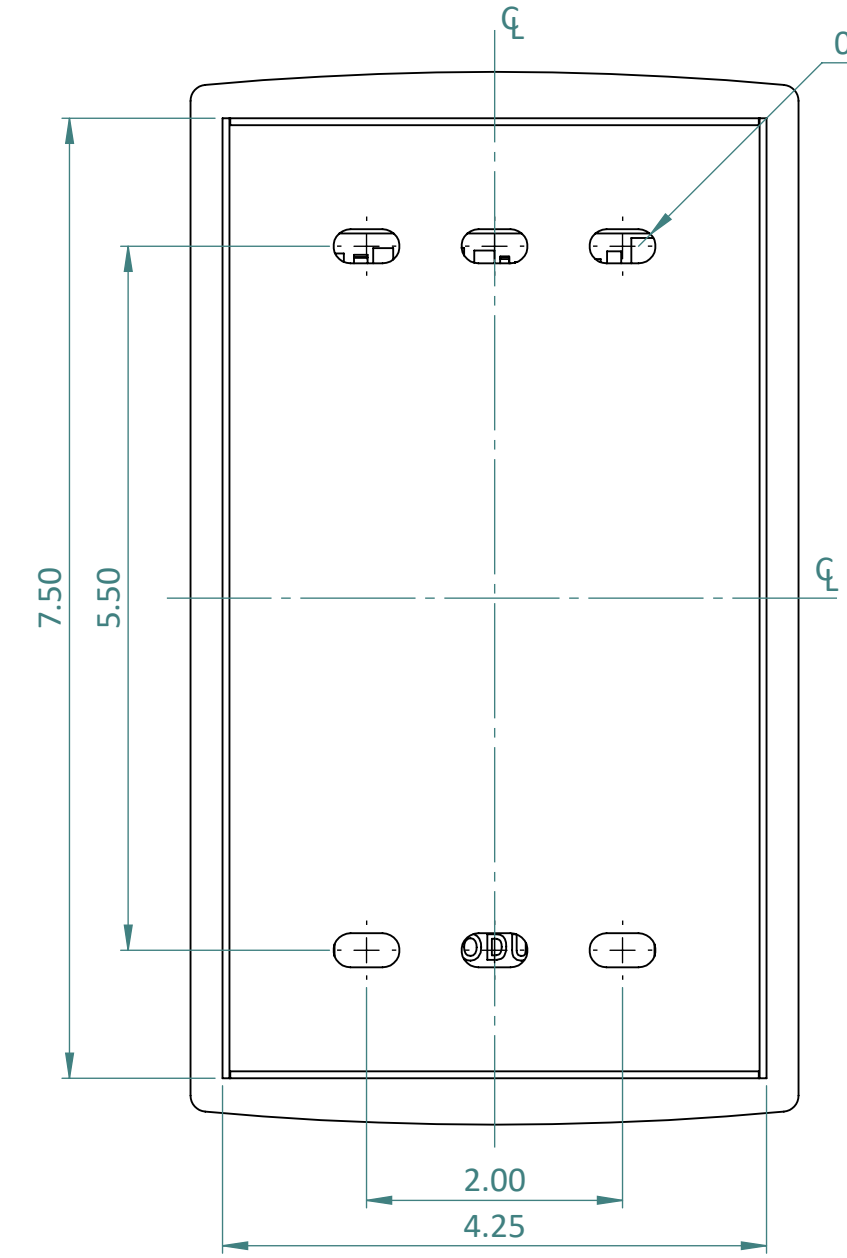
PUSH BUTTON COLOR: RED

SIGNAGE "EMERGENCY" COLOR: RED



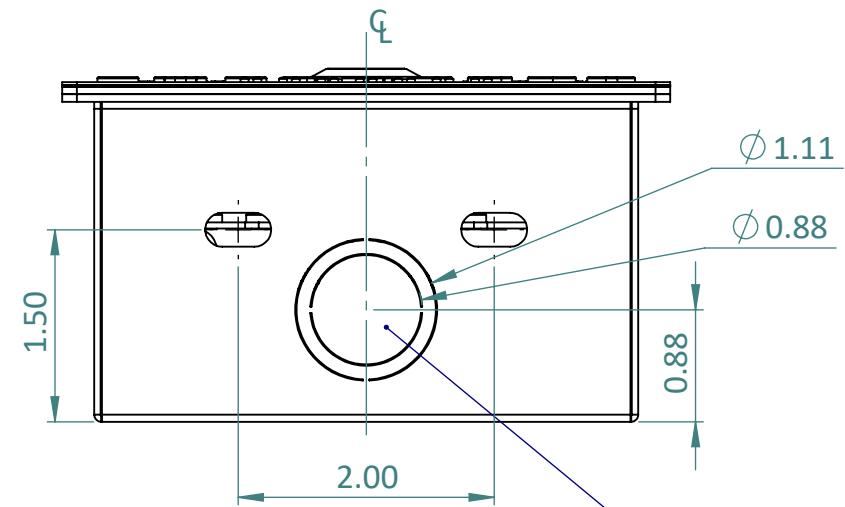
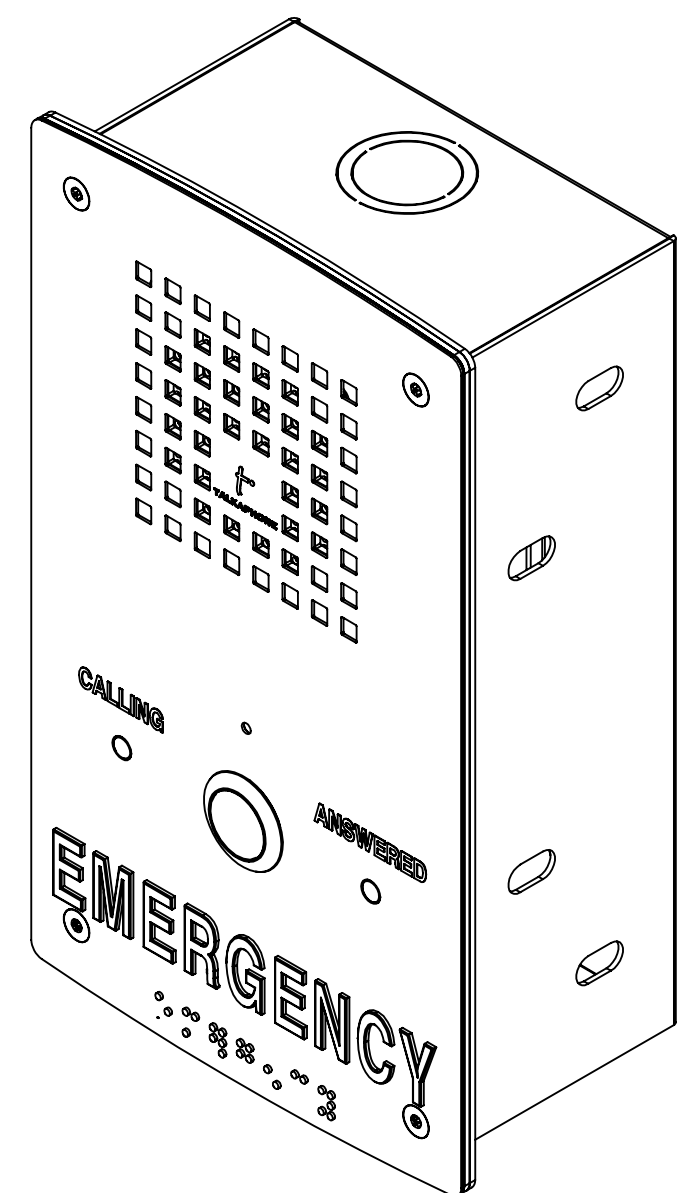
SIDE VIEW

0.27 X 0.52 (4X EACH SIDE)



REAR VIEW

0.27 X 0.52 (6X)



BOTTOM VIEW

KNOCKOUTS FOR 0.5" AND 0.75" CONDUITS

2.0	MARKETING RELEASE	3/18/2025	K PATEL
1.0	MARKETING RELEASE	02/12/2021	K PATEL
REV.	DESCRIPTION	DATE	APPROVED
REVISIONS			
SPECIFICATIONS ARE SUBJECT TO CHANGE WITHOUT NOTICE	UNLESS OTHERWISE SPECIFIED:	NAME	DATE
	DIMENSIONS ARE IN INCHES	K PATEL	3/18/2025
	TOLERANCES:	CHECKED	
	DRILL HOLE -0.00 / +0.003	ENG APPR.	
ANGULAR: MACH ± 1° BEND ± 1°	MFG APPR.		
TWO PLACE DECIMAL ± 0.01			
THREE PLACE DECIMAL ± 0.005			
DO NOT SCALE DRAWING	INTERPRET GEOMETRIC TOLERANCING PER: ASME Y14.5-2009	Q.A.	
PROPRIETARY AND CONFIDENTIAL	MATERIAL		
THE INFORMATION CONTAINED IN THIS DRAWING IS THE SOLE PROPERTY OF TALK-A-PHONE, LLC. ANY REPRODUCTION IN PART OR AS A WHOLE WITHOUT THE WRITTEN PERMISSION OF TALK-A-PHONE, LLC IS PROHIBITED.	FINISH		
	MODEL FILE NAME:		
	AOR_CS_SERIES_ASSY		
TALKPHONE TALK-A-PHONE, LLC 7530 N. NATCHEZ AVE., NILES, IL 60714 WWW.TALKPHONE.COM		DESCRIPTION	
		AOR-IP CALL STATION SERIES, FLUSH MOUNT	
SIZE PART NO.		REV	
C AOR-IP-CSE-FM		2.0	
SCALE: 1:2	WEIGHT:	SHEET 1 OF 1	