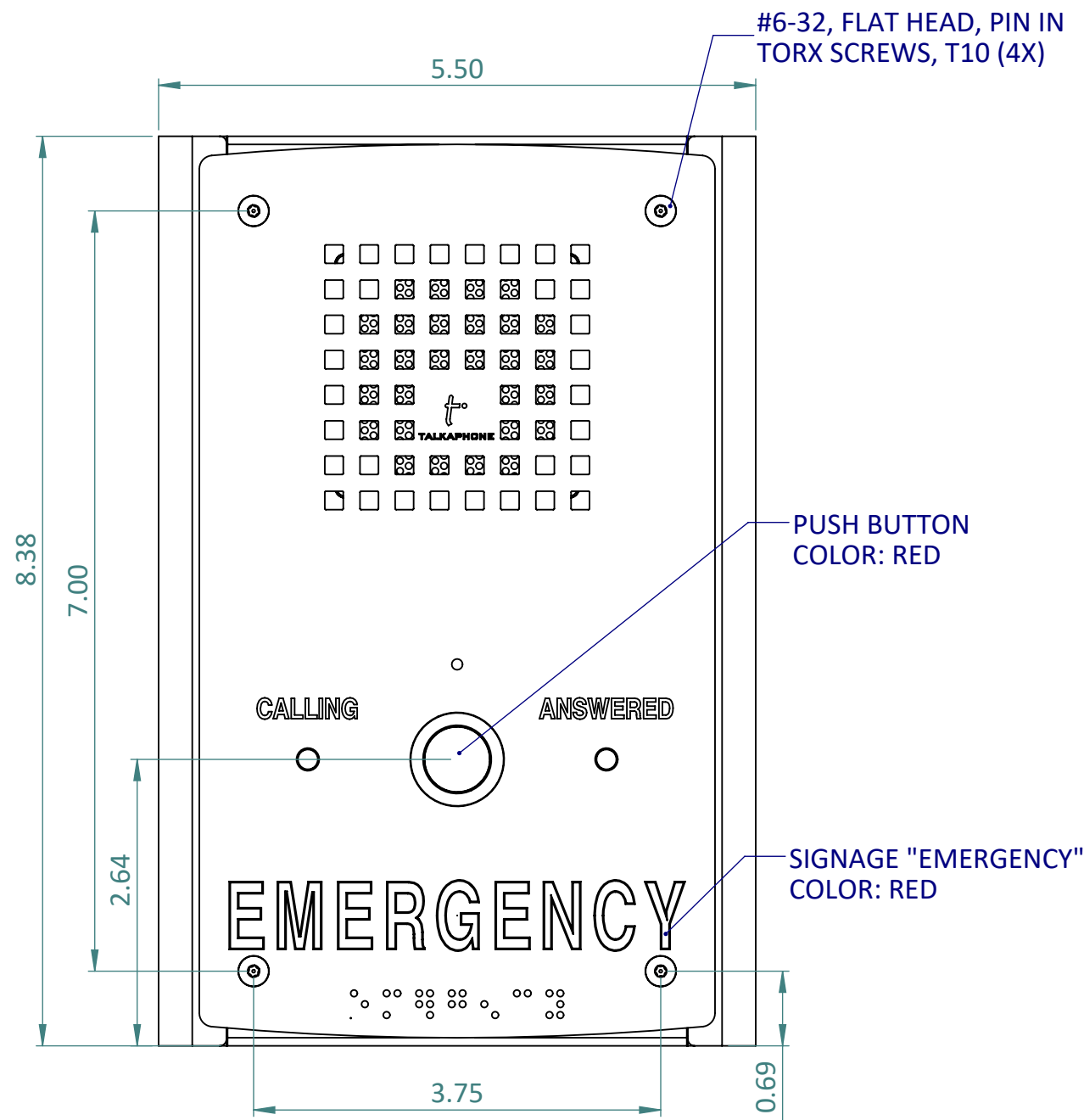
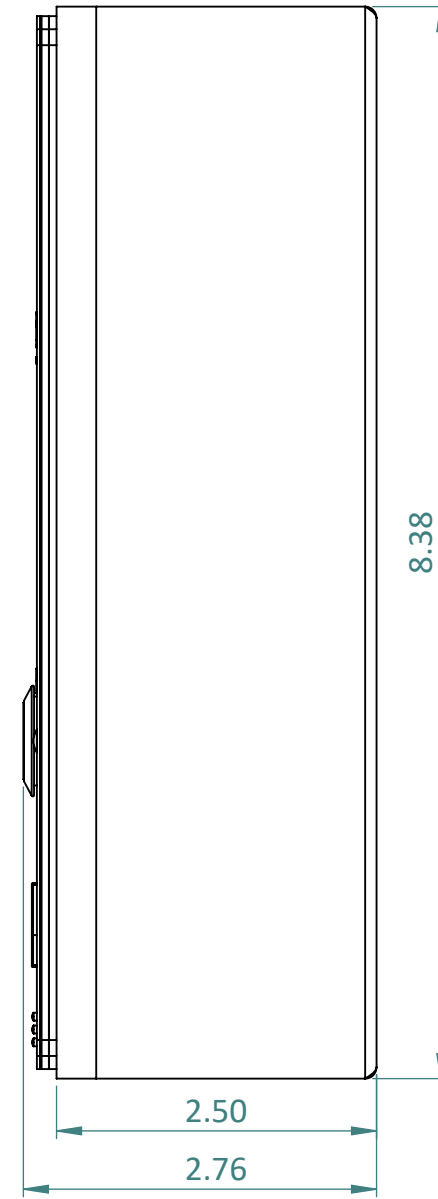




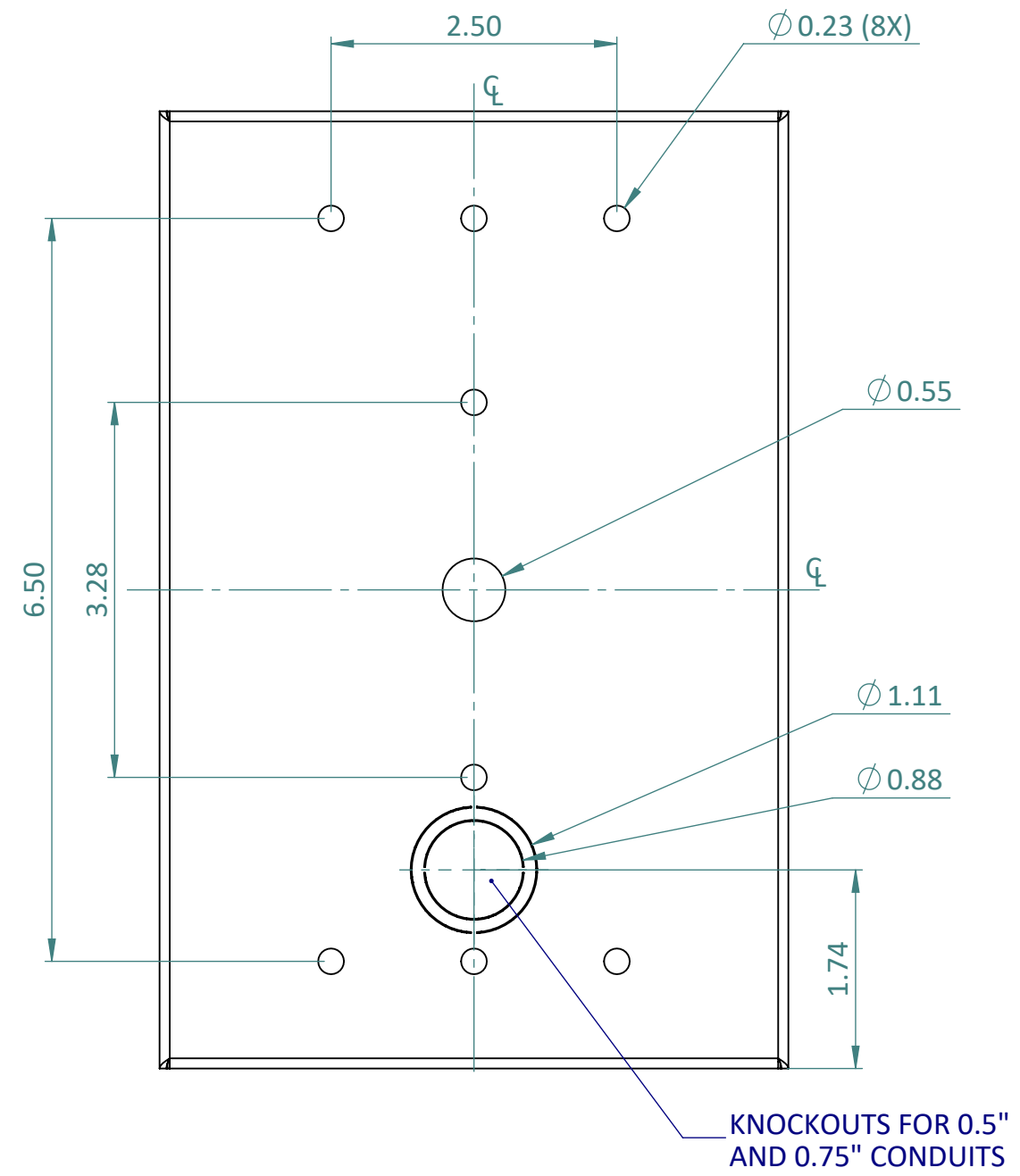
TOP VIEW



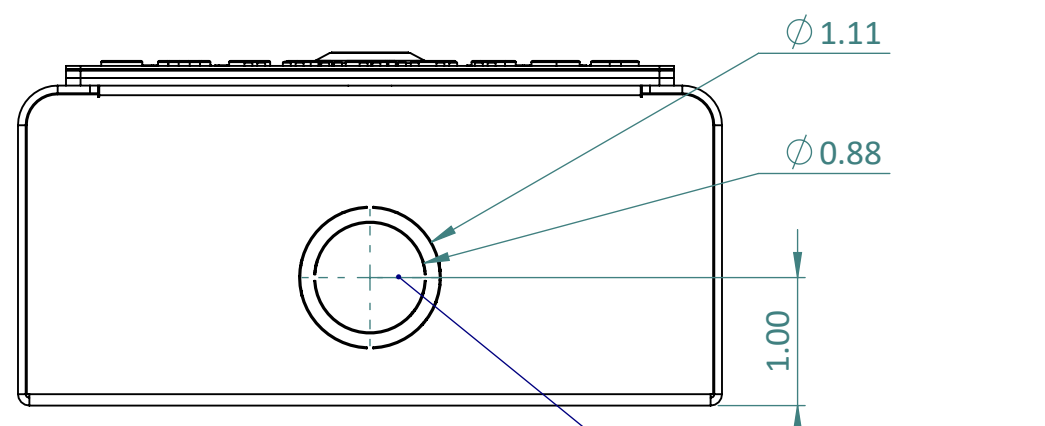
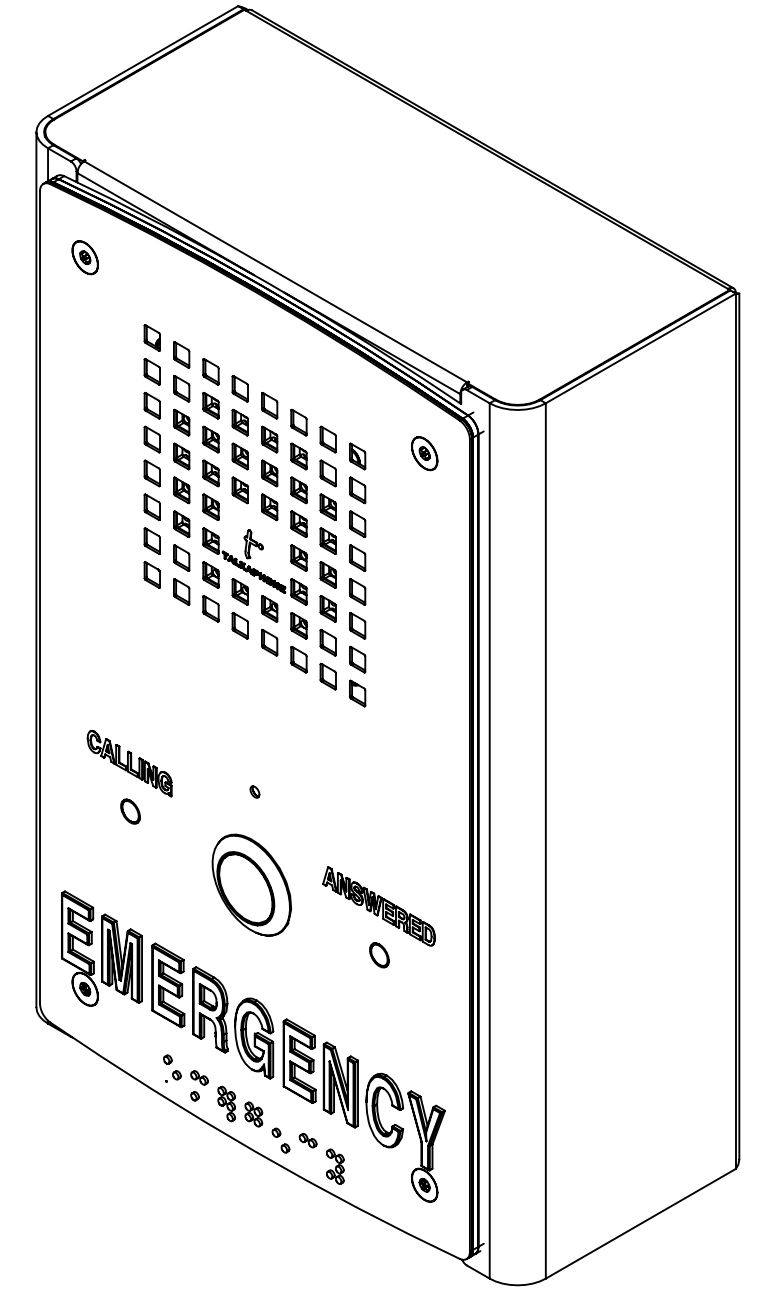
FRONT VIEW



SIDE VIEW



REAR VIEW



BOTTOM VIEW

2.0	MARKETING RELEASE	10/31/2023	K PATEL
1.0	MARKETING RELEASE	2/12/2021	J MAHETALIA
REV.	DESCRIPTION	DATE	APPROVED

REVISIONS			
UNLESS OTHERWISE SPECIFIED:	NAME	DATE	
DRAWN	J MAHETALIA	2/12/2021	
CHECKED	K PATEL	2/12/2021	
ENG APPR.			
MFG APPR.			
Q.A.			

ALL DIMENSIONS ARE IN INCHES

TALKAPHONE
TALK-A-PHONE, LLC
7530 N. NATCHEZ AVE., NILES, IL 60714
WWW.TALKAPHONE.COM

DO NOT SCALE DRAWING
PROPRIETARY AND CONFIDENTIAL
THE INFORMATION CONTAINED IN THIS DRAWING IS THE SOLE PROPERTY OF TALK-A-PHONE, LLC. ANY REPRODUCTION IN PART OR AS A WHOLE WITHOUT THE WRITTEN PERMISSION OF TALK-A-PHONE, LLC IS PROHIBITED.

MATERIAL: N/A
FINISH: N/A
MODEL FILE NAME: AOR_CS_SERIES_ASSY

DESCRIPTION: AOR SERIES CALL STATION. SURFACE MOUNT
SIZE: C
PART NO.: AOR-CSE-SM
REV: 2.0
SCALE: 1:2 WEIGHT: SHEET 1 OF 1