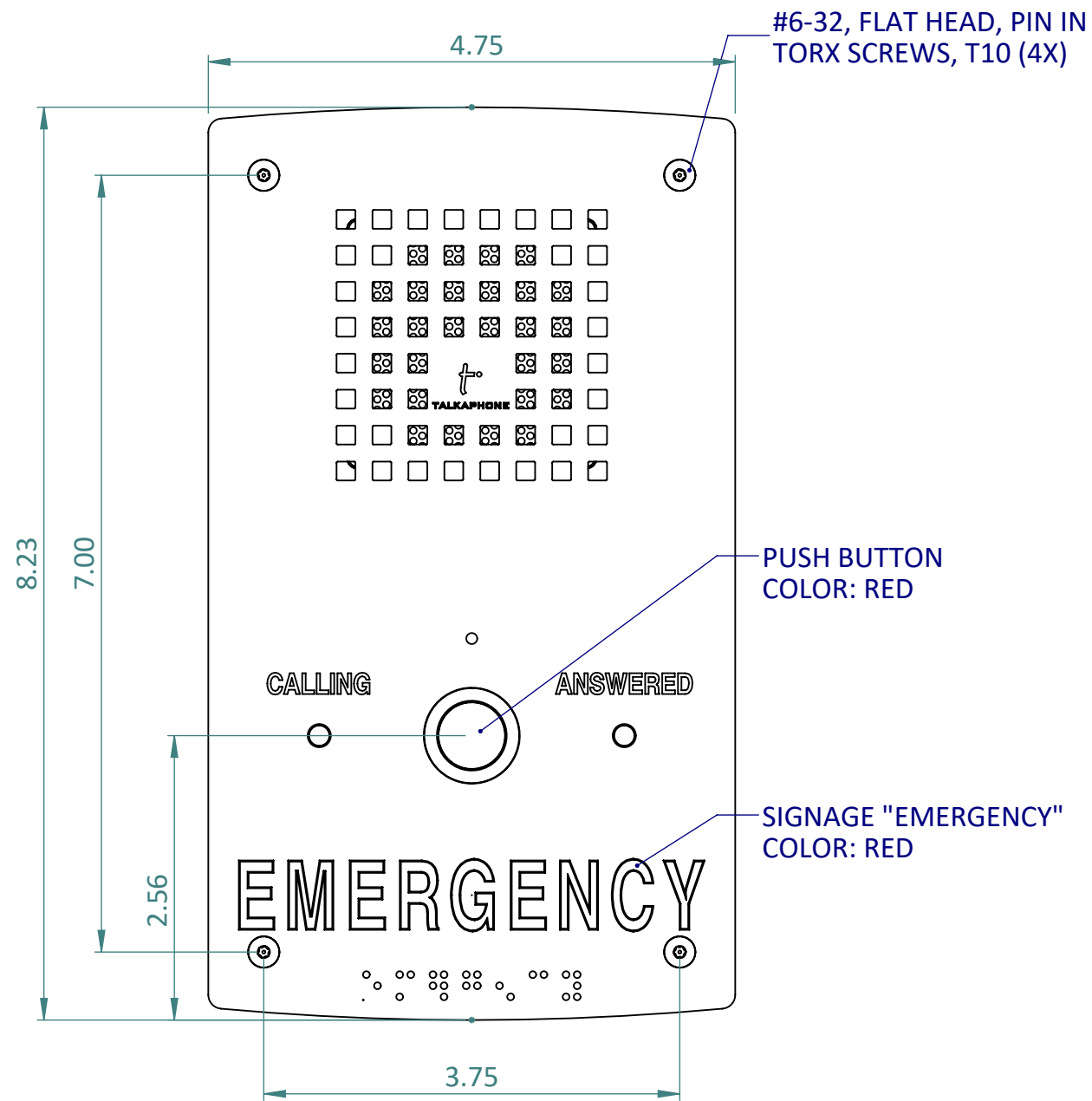
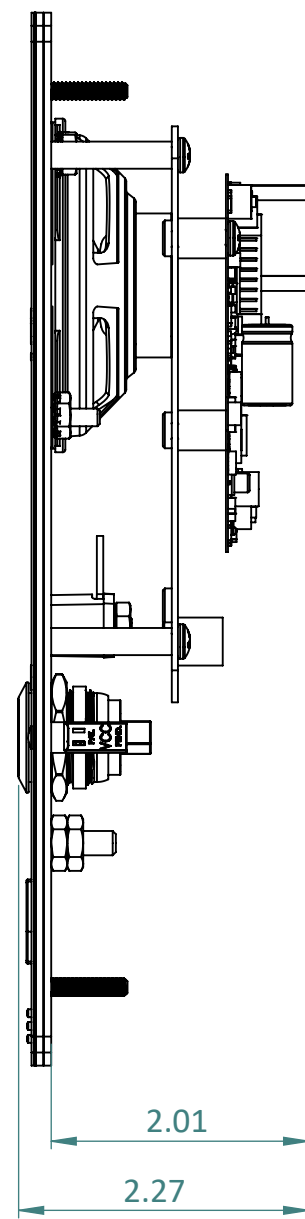


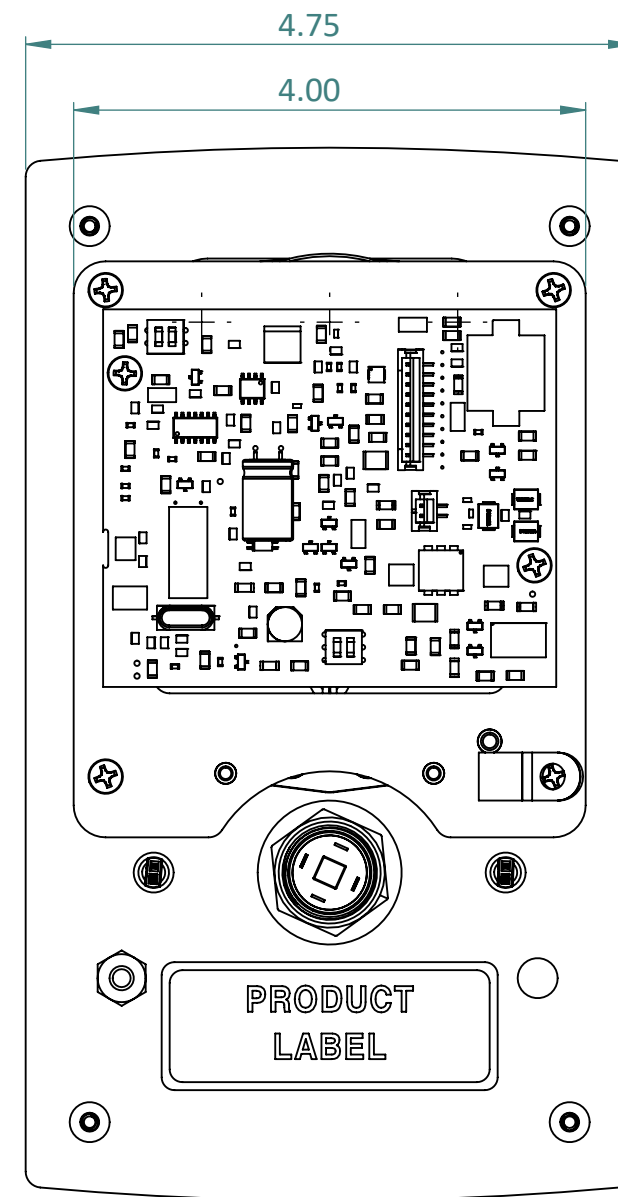
TOP VIEW



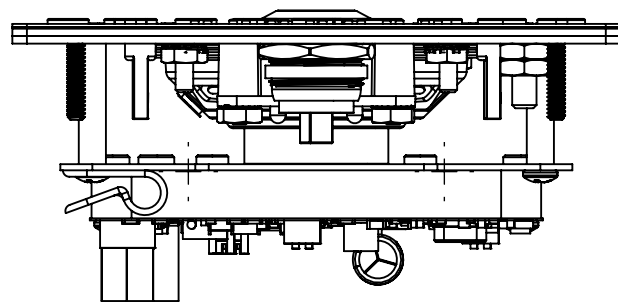
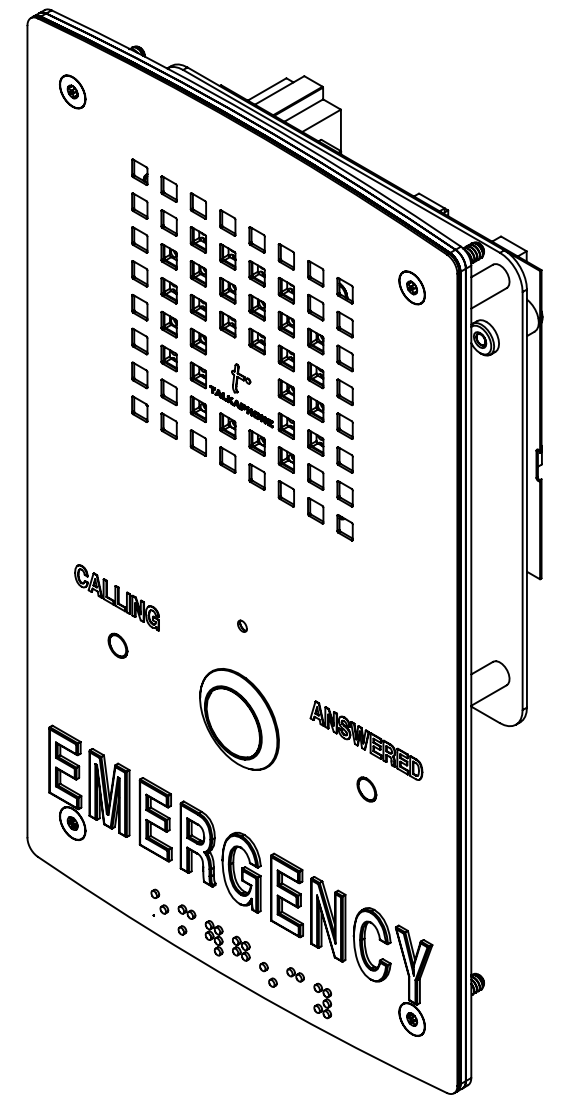
FRONT VIEW



SIDE VIEW



REAR VIEW



BOTTOM VIEW

REV.	DESCRIPTION	DATE	APPROVED
2.0	MARKETING RELEASE	10/31/2023	K PATEL
1.0	MARKETING RELEASE	02/12/2021	K PATEL

UNLESS OTHERWISE SPECIFIED:			
NAME	DATE		
DRAWN	K PATEL	2/12/2021	
CHECKED			
ENG APPR.			
MFG APPR.			
Q.A.			

TALKAPHONE
TALK-A-PHONE, LLC
7530 N. NATCHEZ AVE., NILES, IL 60714
WWW.TALKAPHONE.COM

DO NOT SCALE DRAWING
PROPRIETARY AND CONFIDENTIAL
THE INFORMATION CONTAINED IN THIS DRAWING IS THE SOLE PROPERTY OF TALK-A-PHONE, LLC. ANY REPRODUCTION IN PART OR AS A WHOLE WITHOUT THE WRITTEN PERMISSION OF TALK-A-PHONE, LLC IS PROHIBITED.

MATERIAL	FINISH	MODEL FILE NAME:
		AOR_CS_SERIES_ASSY

DESCRIPTION	SIZE	PART NO.	REV
AOR SERIES CALL STATION, NO MOUNT			
	C	AOR-CSE-NM	2.0

SCALE: 1:2 WEIGHT: SHEET 1 OF 1