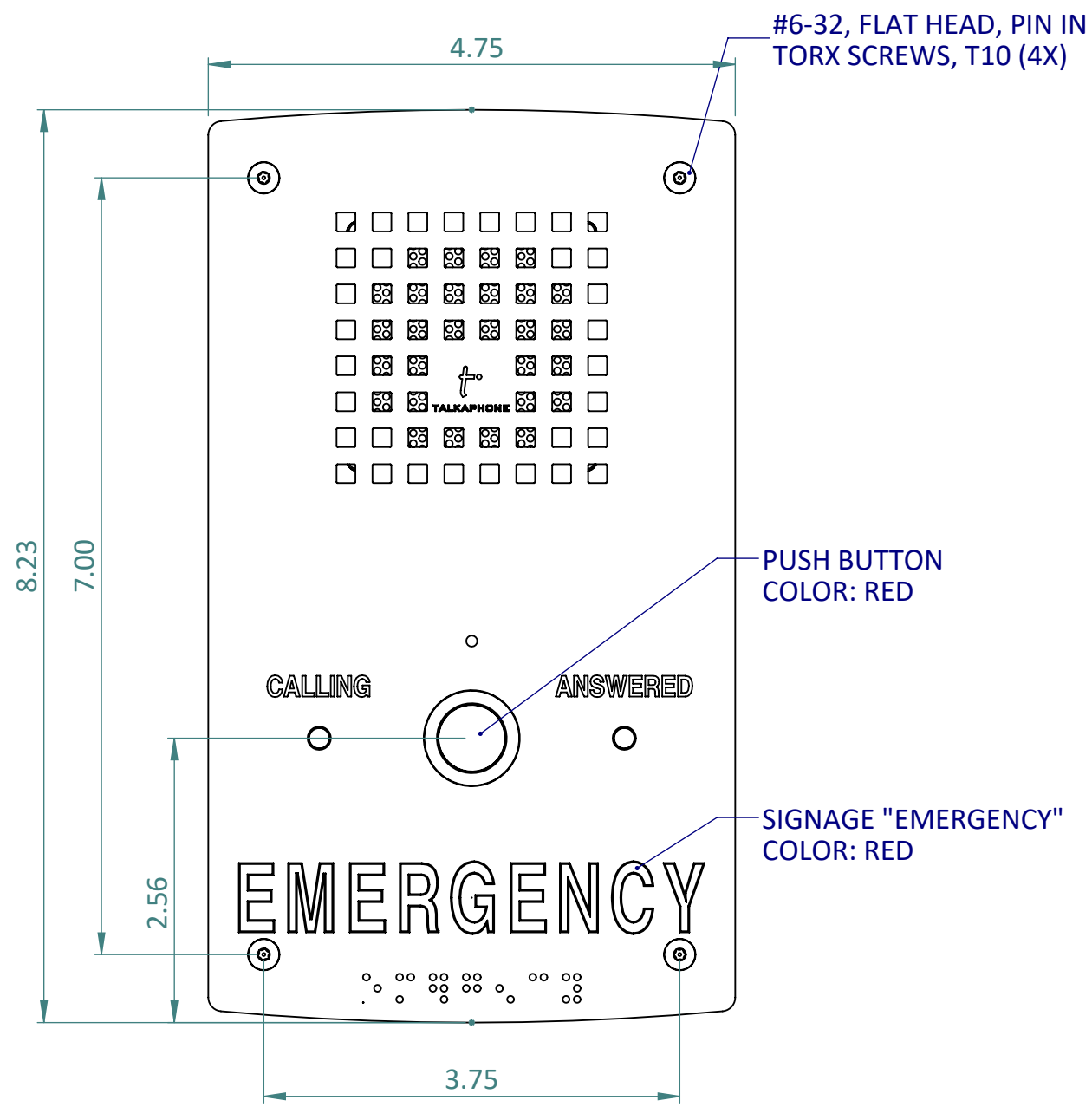
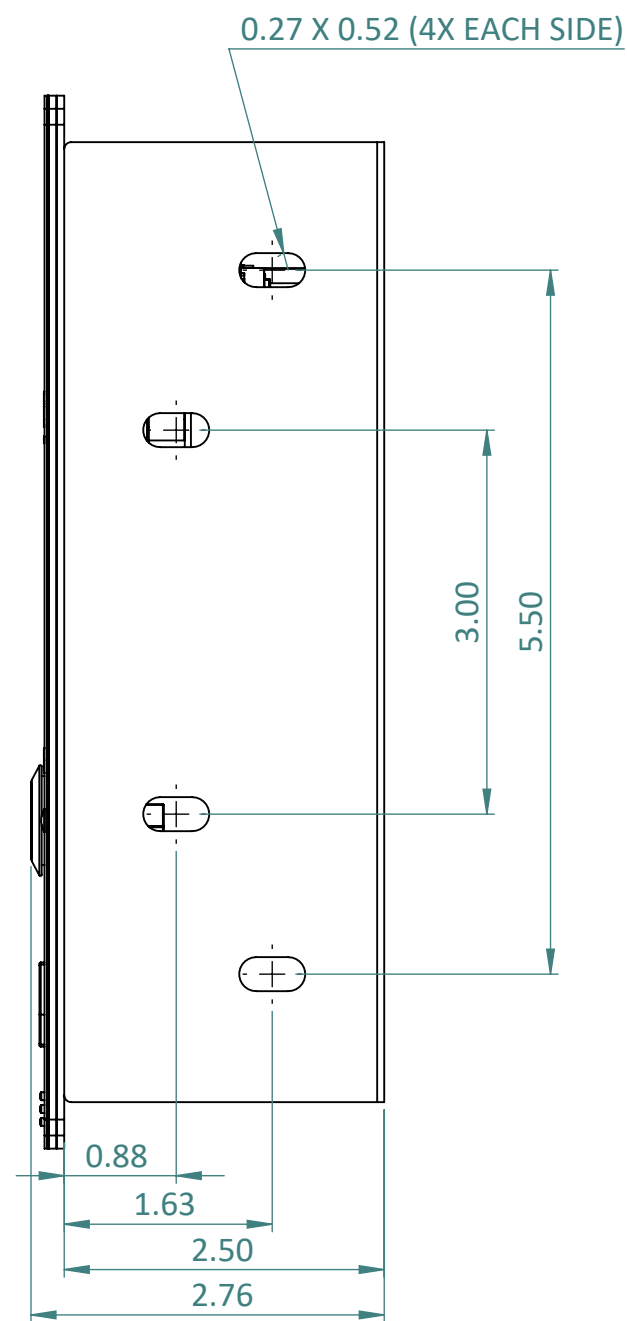


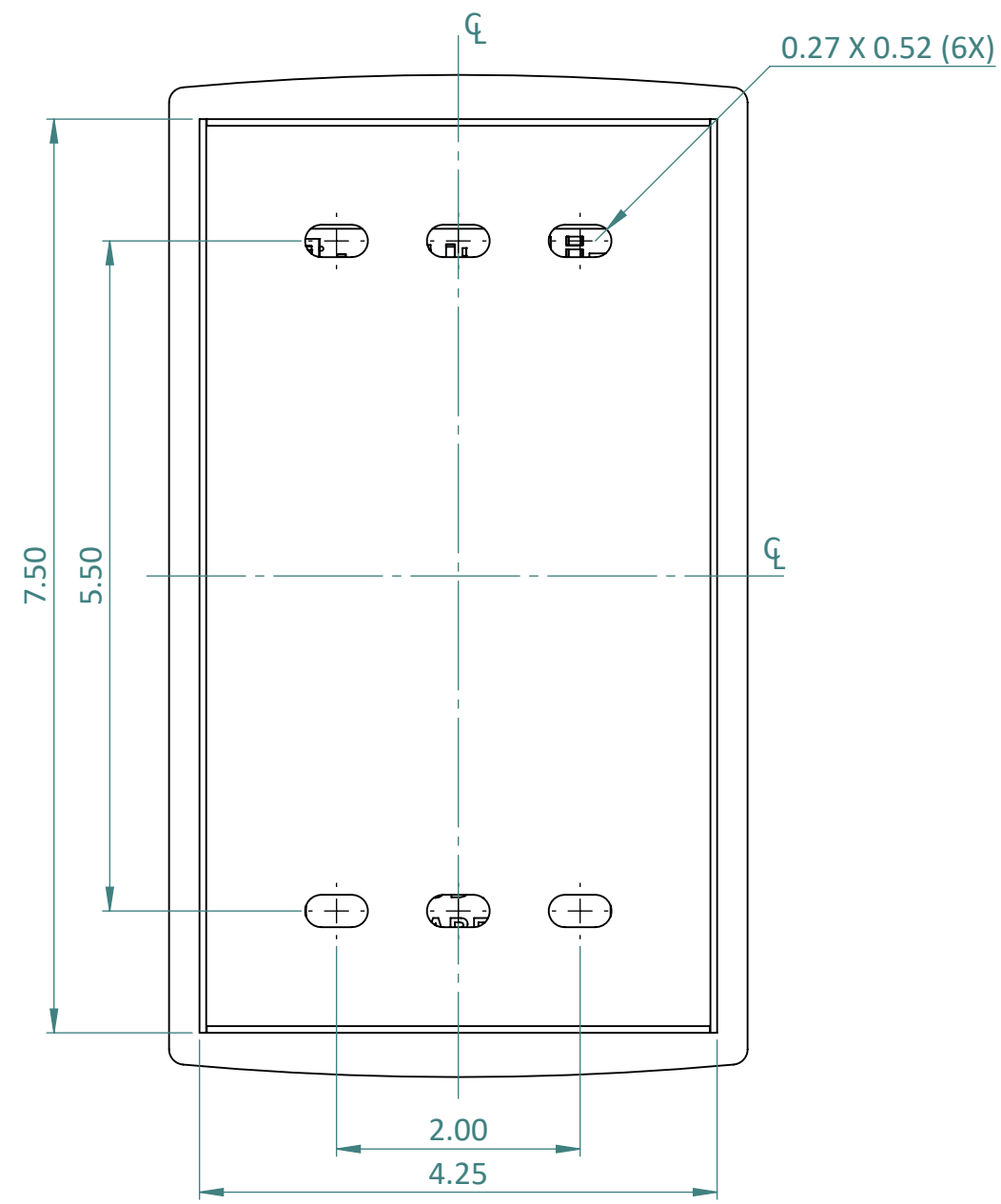
TOP VIEW



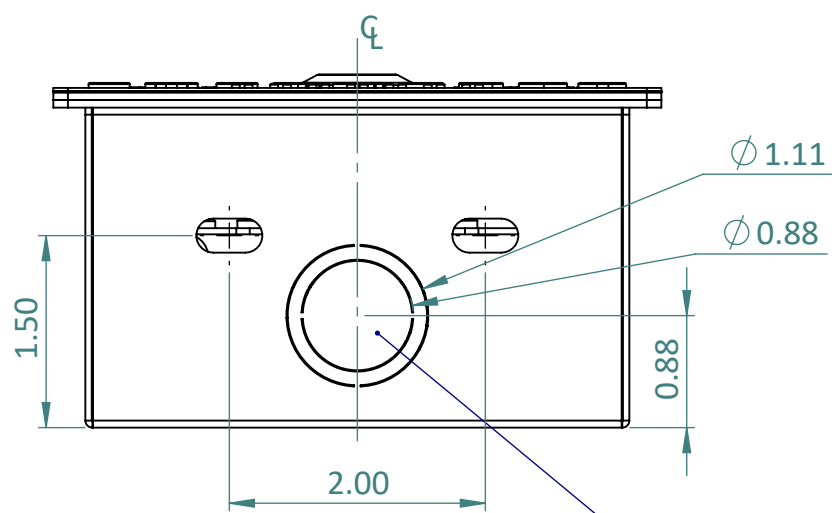
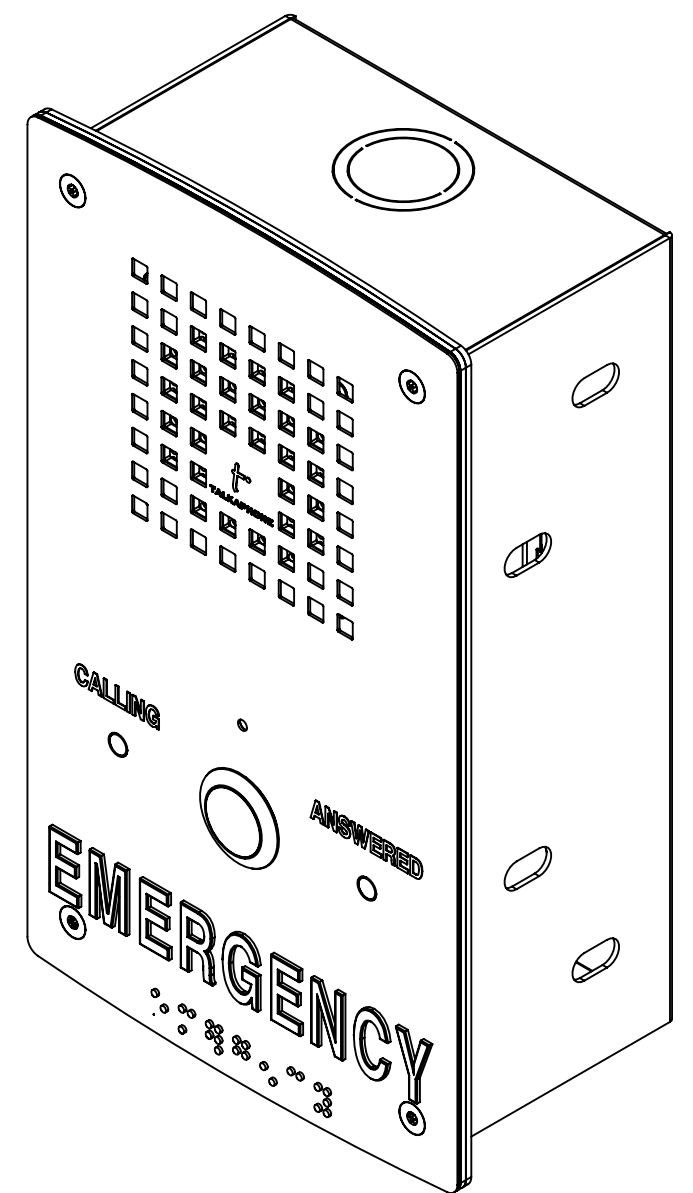
FRONT VIEW



SIDE VIEW



REAR VIEW



BOTTOM VIEW

KNOCKOUTS FOR 0.5" AND 0.75" CONDUITS

#6-32, FLAT HEAD, PIN IN TORX SCREWS, T10 (4X)

PUSH BUTTON COLOR: RED

SIGNAGE "EMERGENCY" COLOR: RED

0.27 X 0.52 (4X EACH SIDE)

0.27 X 0.52 (6X)

REV.	DESCRIPTION	DATE	APPROVED
2.0	MARKETING RELEASE	10/31/2023	K PATEL
1.0	MARKETING RELEASE	02/12/2021	K PATEL

UNLESS OTHERWISE SPECIFIED:			
NAME	DATE		
DRAWN K PATEL	2/12/2021		
CHECKED			
ENG APPR.			
MFG APPR.			
Q.A.			

TALKAPHONE
TALK-A-PHONE, LLC
7530 N. NATCHEZ AVE., NILES, IL 60714
WWW.TALKAPHONE.COM

DO NOT SCALE DRAWING
PROPRIETARY AND CONFIDENTIAL
THE INFORMATION CONTAINED IN THIS DRAWING IS THE SOLE PROPERTY OF TALK-A-PHONE, LLC. ANY REPRODUCTION IN PART OR AS A WHOLE WITHOUT THE WRITTEN PERMISSION OF TALK-A-PHONE, LLC IS PROHIBITED.

MATERIAL: N/A
FINISH: N/A
MODEL FILE NAME: AOR_CS_SERIES_ASSY

DESCRIPTION		
AOR SERIES CALL STATION. FLUSH MOUNT		
SIZE	PART NO.	REV
C	AOR-CSE-FM	2.0
SCALE: 1:2	WEIGHT:	SHEET 1 OF 1