

8

7

6

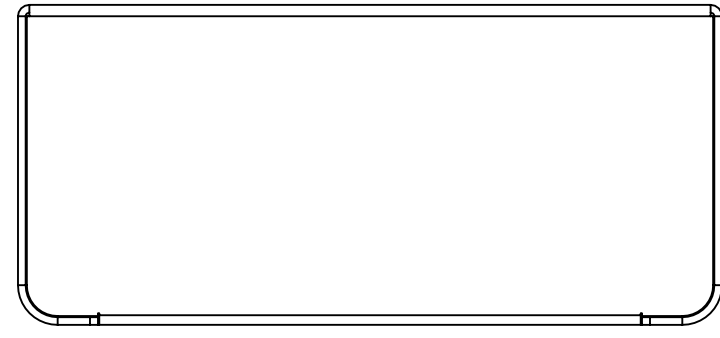
5

4

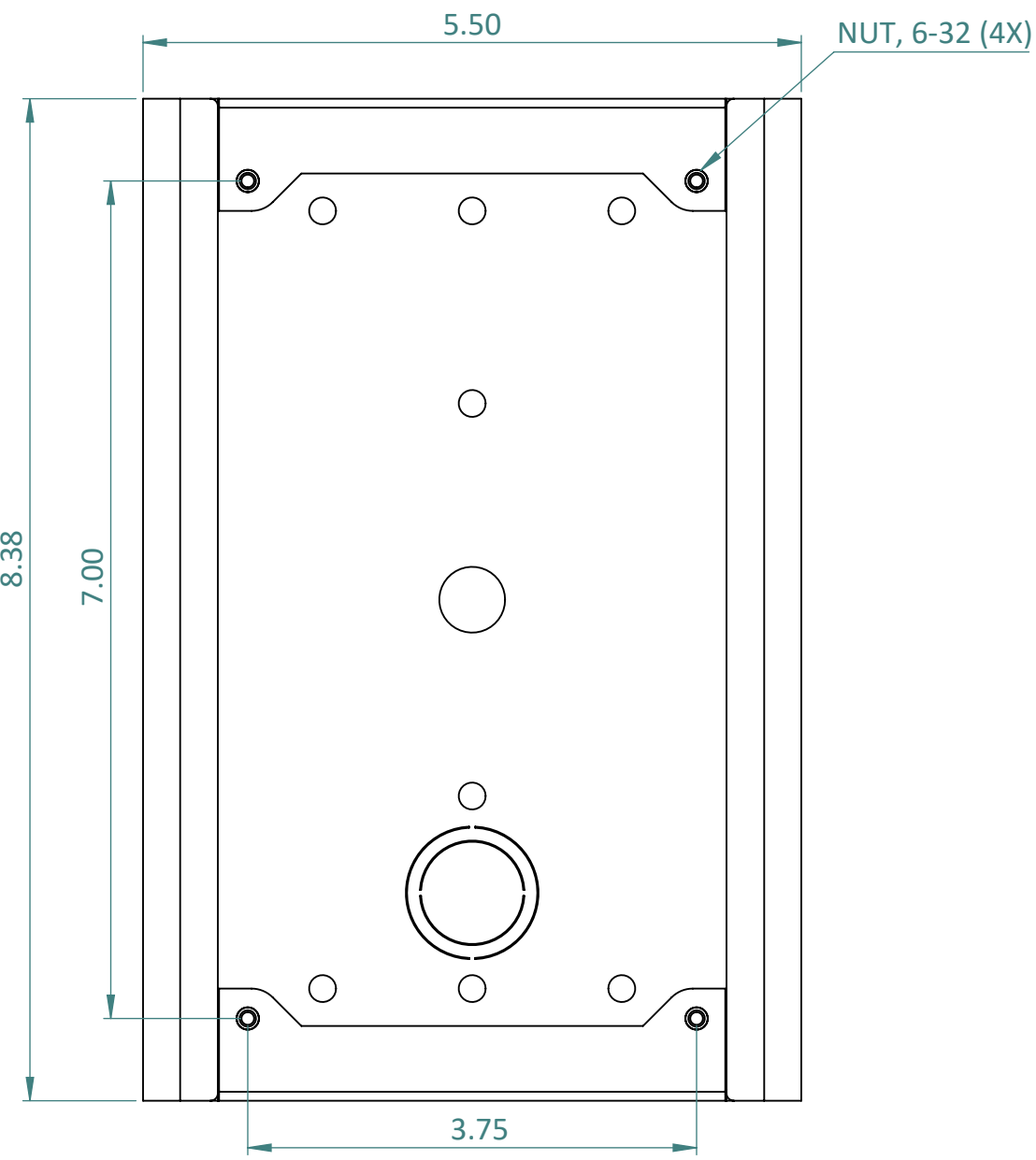
3

2

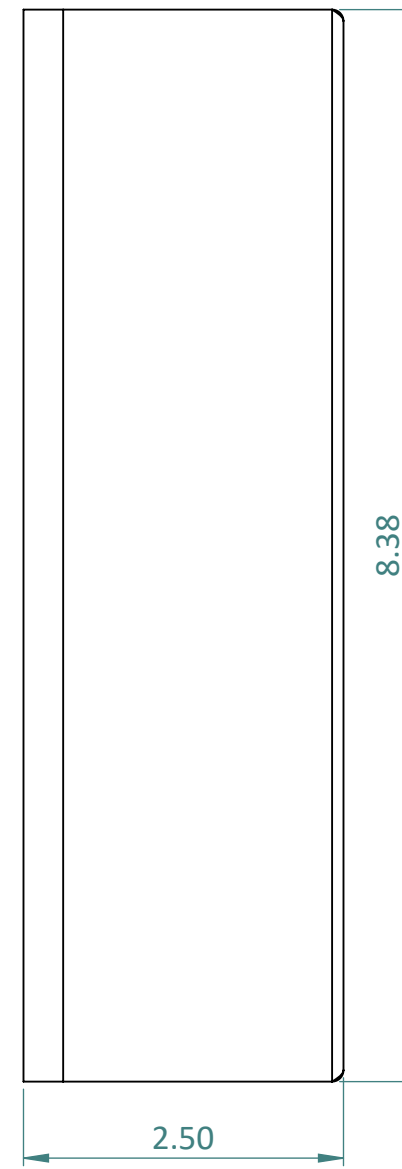
1



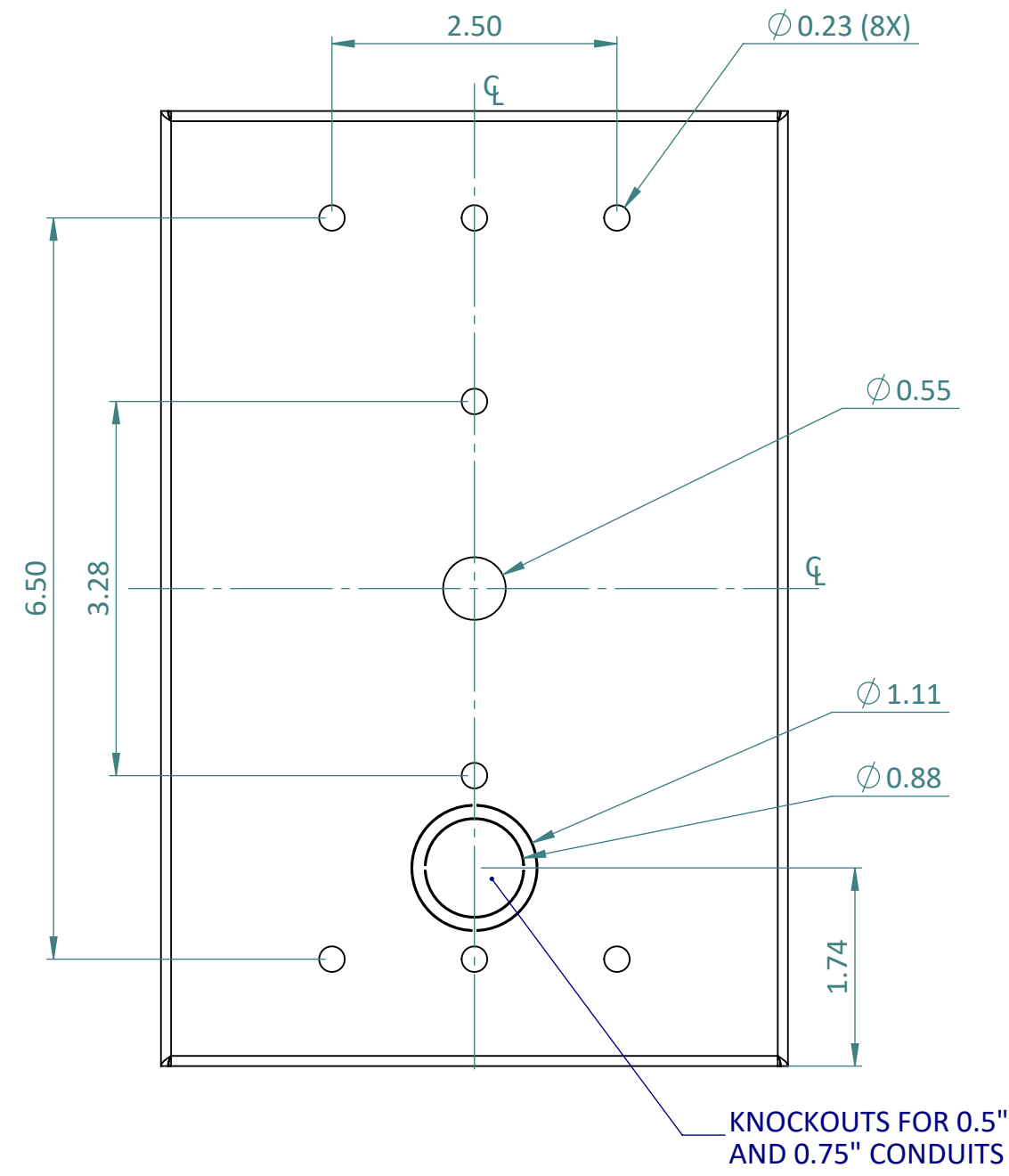
TOP VIEW



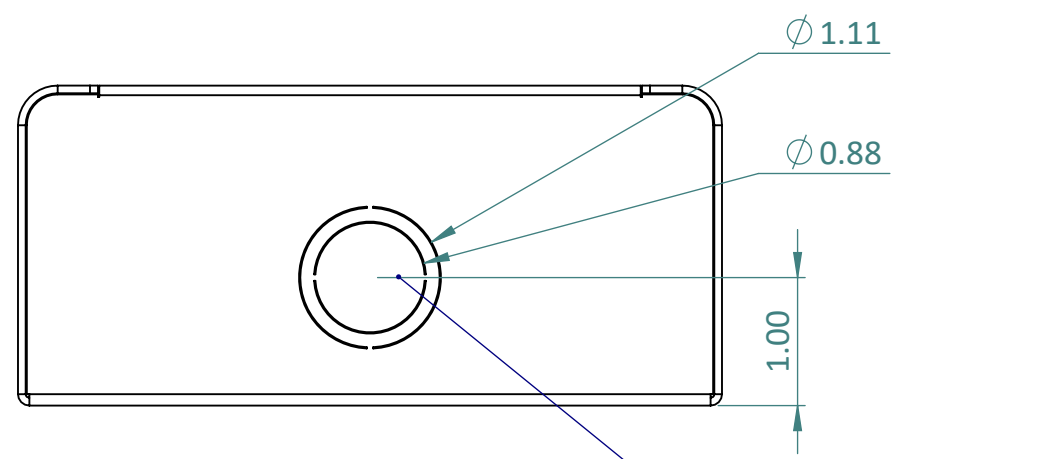
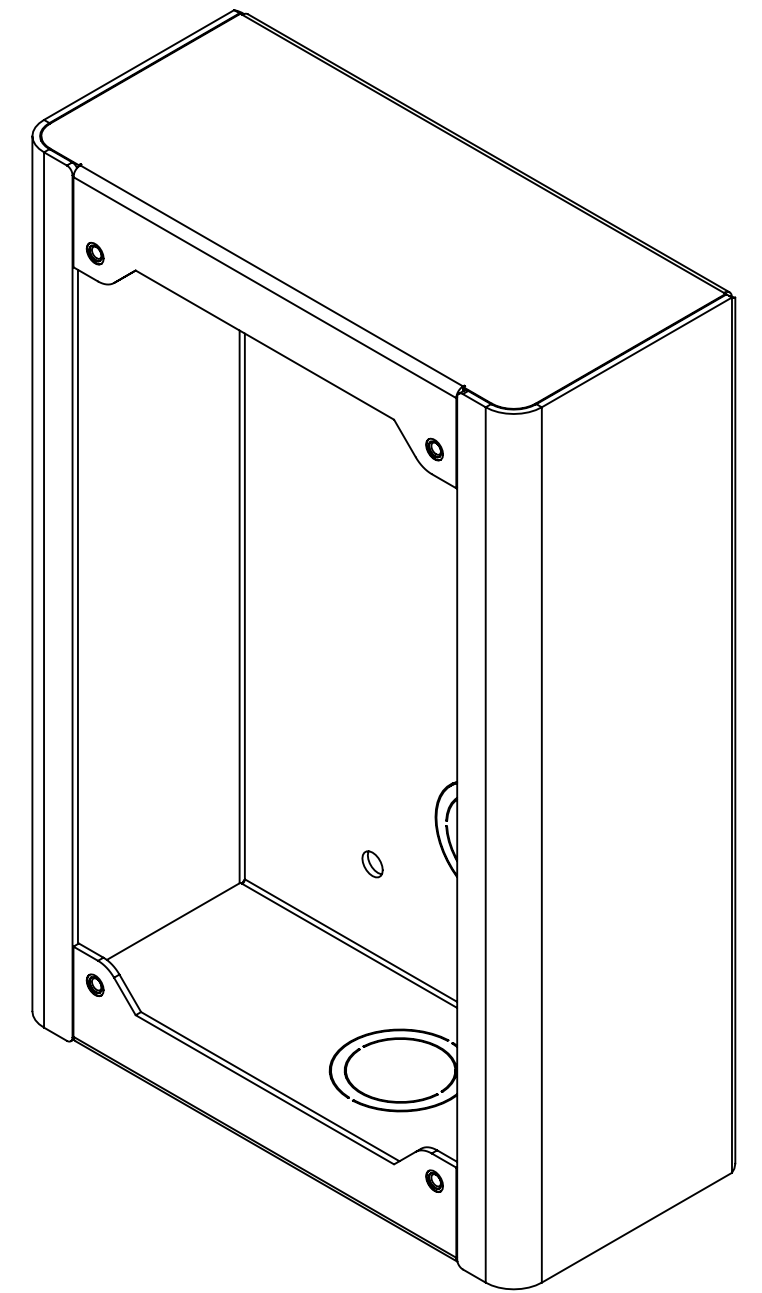
FRONT VIEW



SIDE VIEW



REAR VIEW



BOTTOM VIEW

DO NOT SCALE DRAWING
 PROPRIETARY AND CONFIDENTIAL
 THE INFORMATION CONTAINED IN THIS DRAWING IS THE SOLE PROPERTY OF TALK-A-PHONE, LLC. ANY REPRODUCTION IN PART OR AS A WHOLE WITHOUT THE WRITTEN PERMISSION OF TALK-A-PHONE, LLC IS PROHIBITED.

1.0	MARKETING RELEASE	10/31/2023	K PATEL
REV.	DESCRIPTION	DATE	APPROVED
UNLESS OTHERWISE SPECIFIED:			
DRAWN	K PATEL	10/31/2023	
CHECKED			
ENG APPR.			
MFG APPR.			
Q.A.			
ALL DIMENSIONS ARE IN INCHES			
MATERIAL: N/A FINISH: N/A MODEL FILE NAME: AOR_CS_SERIES_ASSY			
TALKAPHONE TALK-A-PHONE, LLC 7530 N. NATCHEZ AVE., NILES, IL 60714 WWW.TALKAPHONE.COM			
DESCRIPTION: SURFACE MOUNT FOR AOR CALL STATIONS			
SIZE	PART NO.	REV	
C	AOR-CS-SM-1	1.0	
SCALE: 1:1.5		WEIGHT:	SHEET 1 OF 1