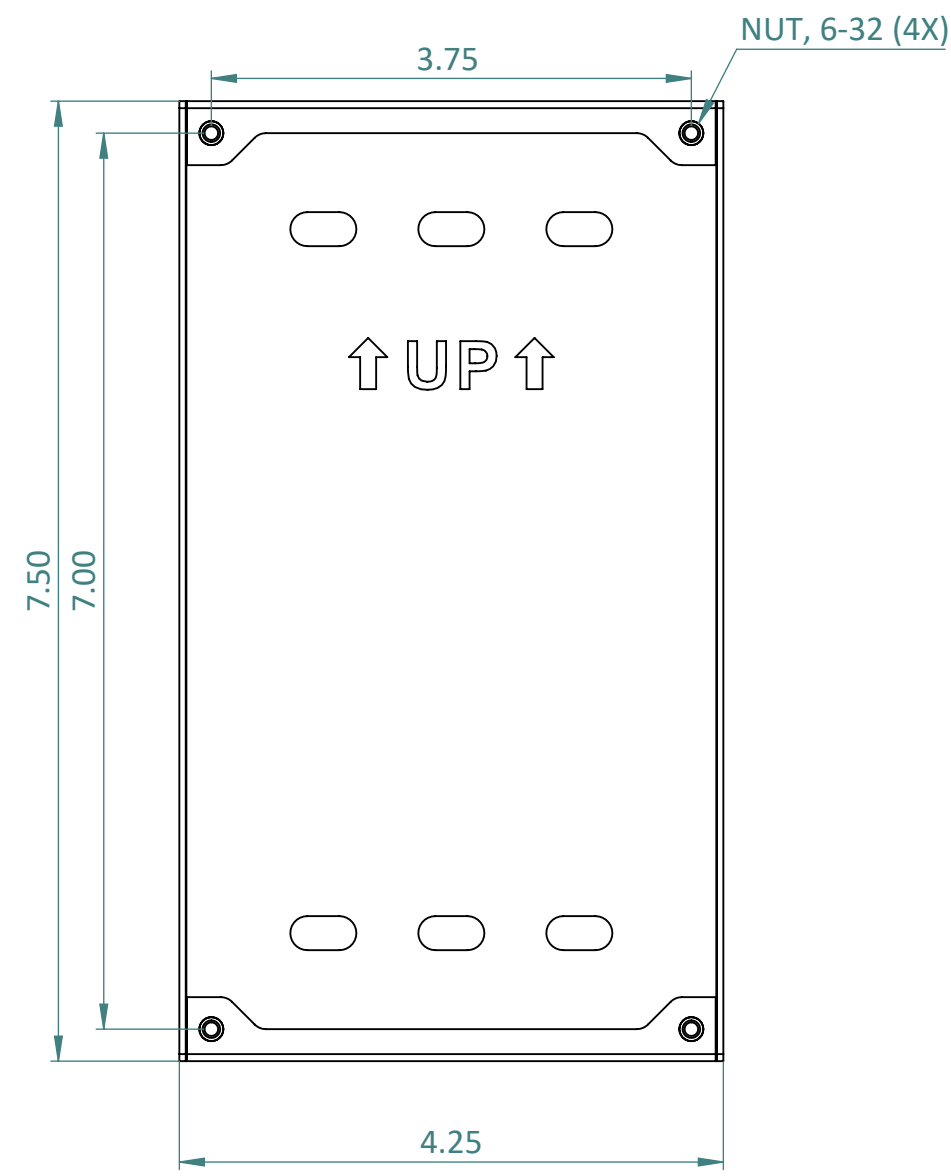
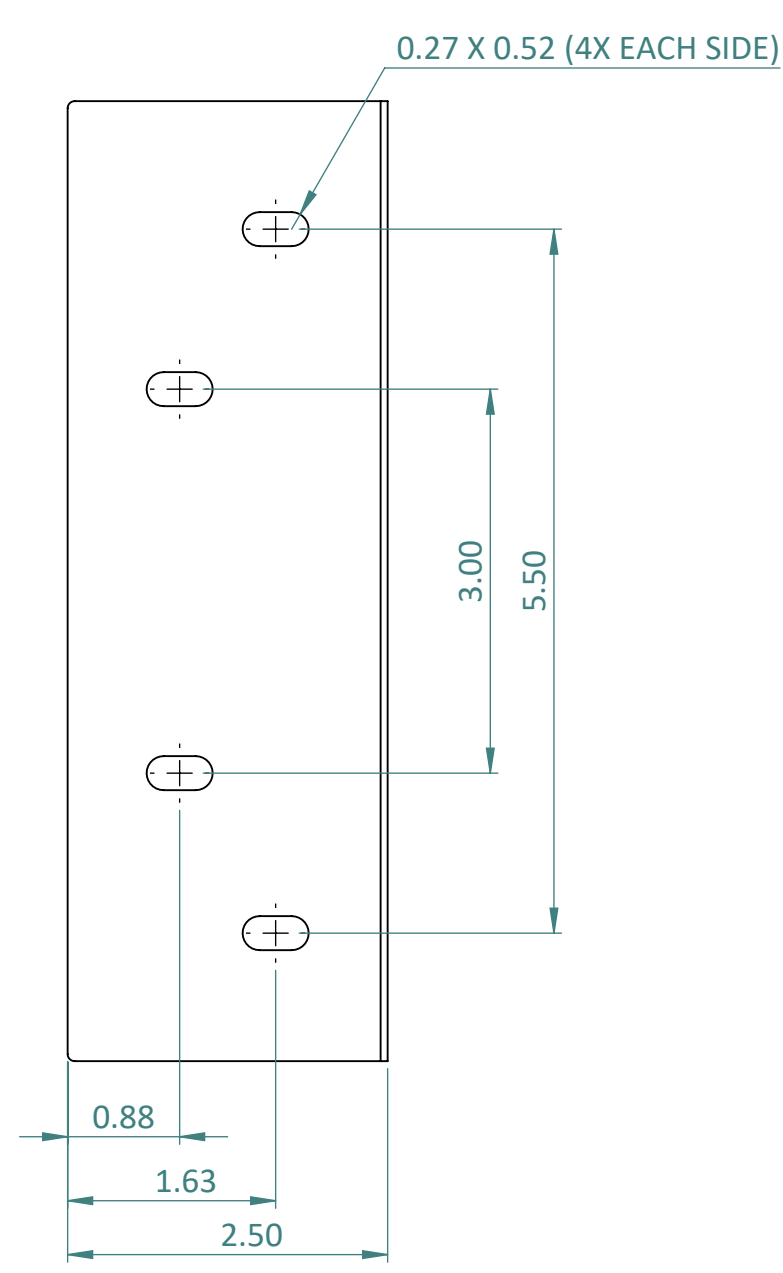


TOP VIEW

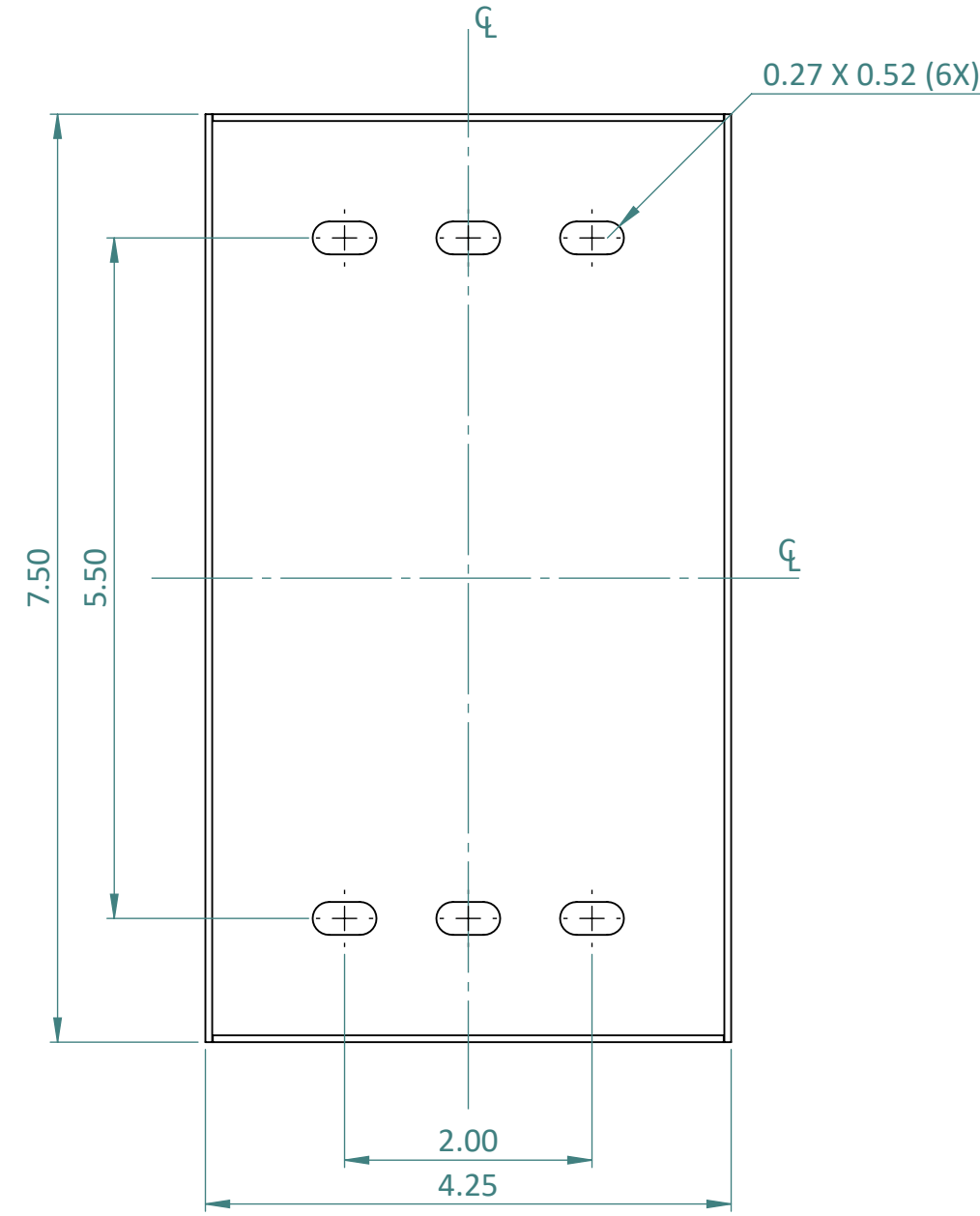
KNOCKOUTS FOR 0.5" AND 0.75" CONDUITS



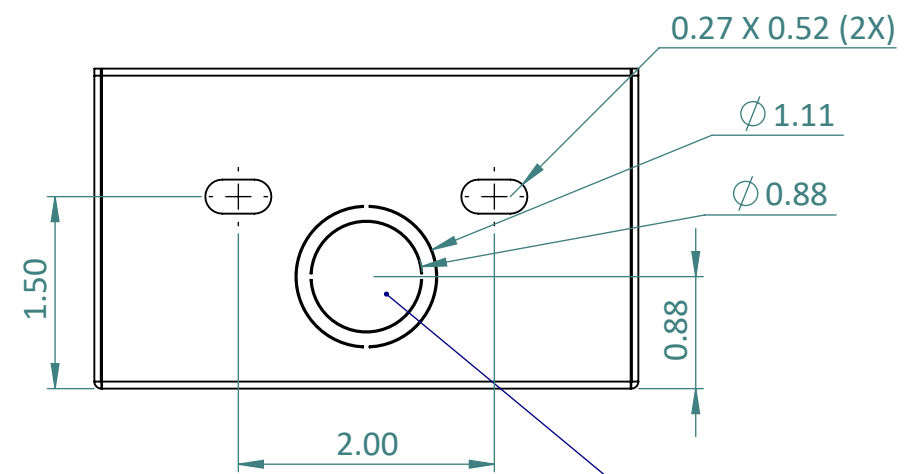
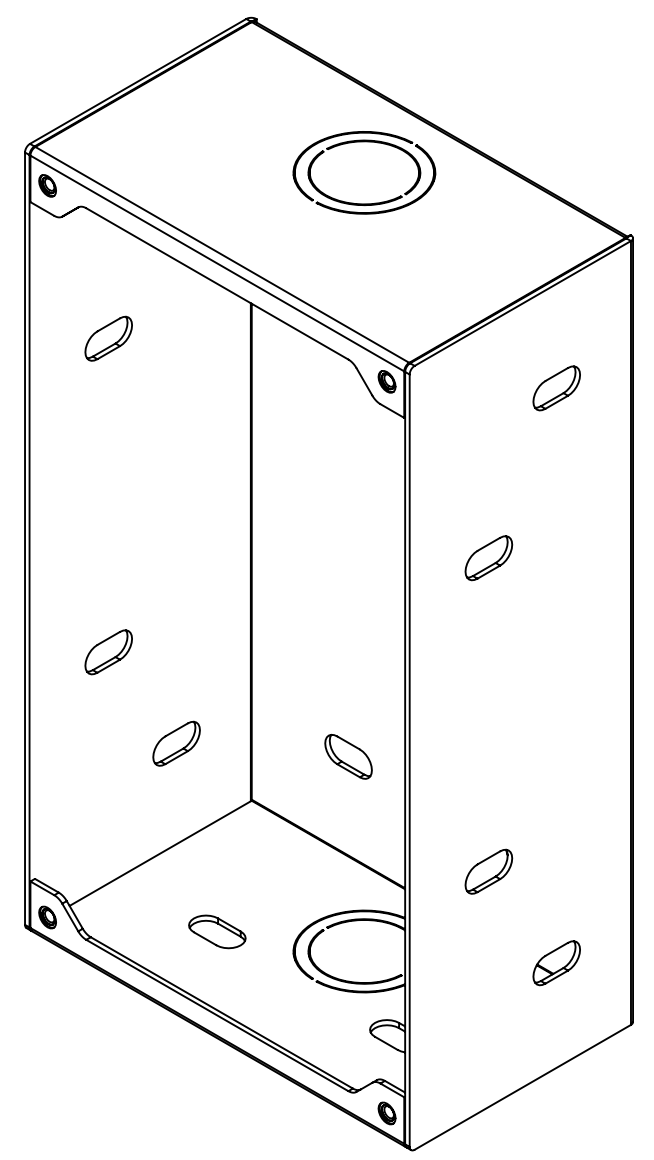
FRONT VIEW



SIDE VIEW



REAR VIEW



BOTTOM VIEW

KNOCKOUTS FOR 0.5" AND 0.75" CONDUITS

DO NOT SCALE DRAWING
 PROPRIETARY AND CONFIDENTIAL
 THE INFORMATION CONTAINED IN THIS DRAWING IS THE SOLE PROPERTY OF TALK-A-PHONE, LLC. ANY REPRODUCTION IN PART OR AS A WHOLE WITHOUT THE WRITTEN PERMISSION OF TALK-A-PHONE, LLC IS PROHIBITED.

1.0	MARKETING RELEASE	02/12/2021	K PATEL
REV.	DESCRIPTION	DATE	APPROVED
UNLESS OTHERWISE SPECIFIED:			
DRAWN	NAME	DATE	
CHECKED	K PATEL	10/31/2023	
ENG APPR.			
MFG APPR.			
Q.A.			
MATERIAL		TALKAPHONE	
FINISH		TALK-A-PHONE, LLC	
MODEL FILE NAME:		7530 N. NATCHEZ AVE., NILES, IL 60714	
AOR_CS_SERIES_ASSY		WWW.TALKAPHONE.COM	
DESCRIPTION			
FLUSH MOUNT FOR AOR CALL STATIONS			
SIZE	PART NO.	REV	
C	AOR-CS-FM-1	1.0	
SCALE: 1:2	WEIGHT:	SHEET 1 OF 1	

ALL DIMENSIONS ARE IN INCHES

TALKAPHONE
 TALK-A-PHONE, LLC
 7530 N. NATCHEZ AVE., NILES, IL 60714
 WWW.TALKAPHONE.COM