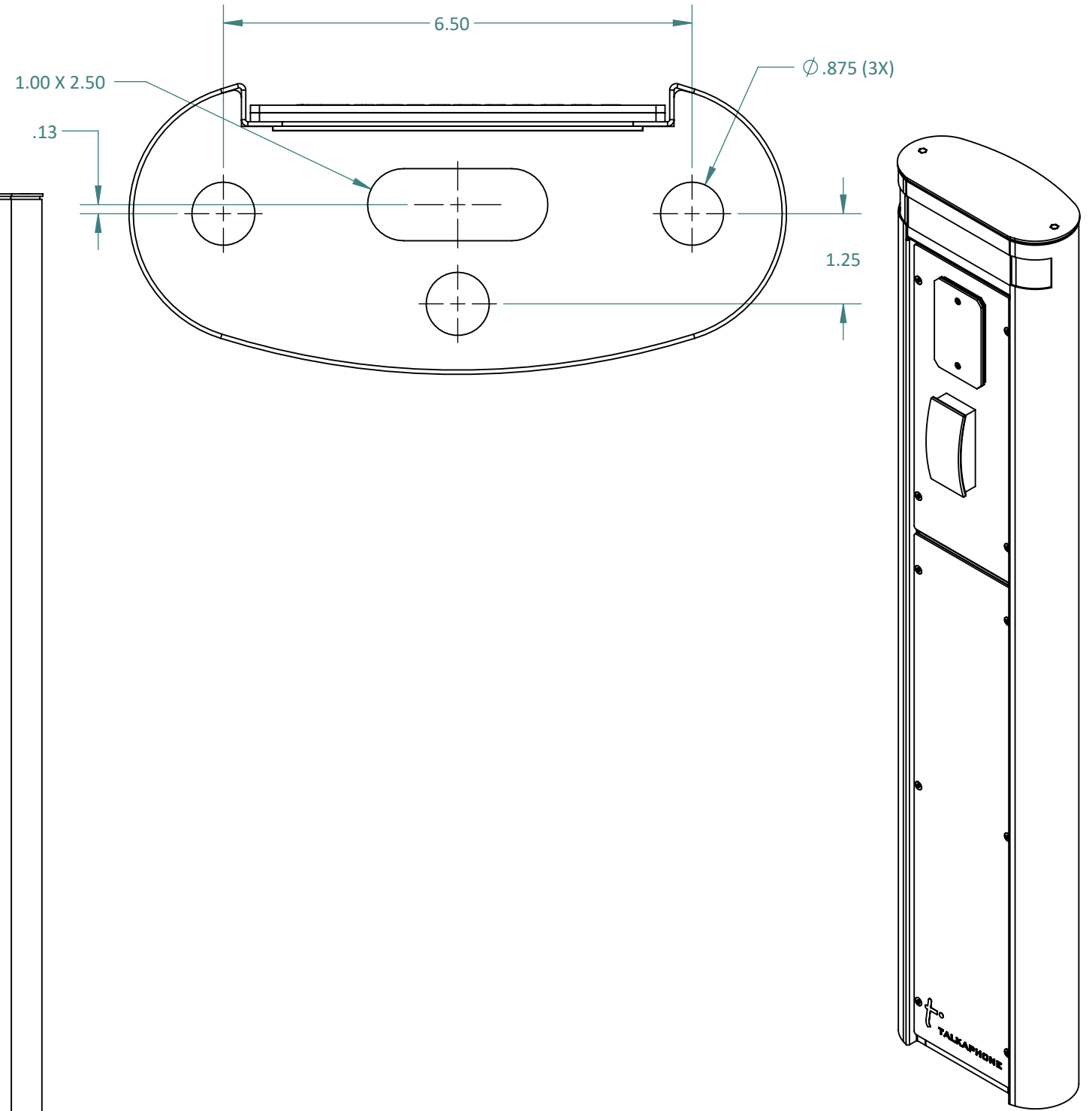
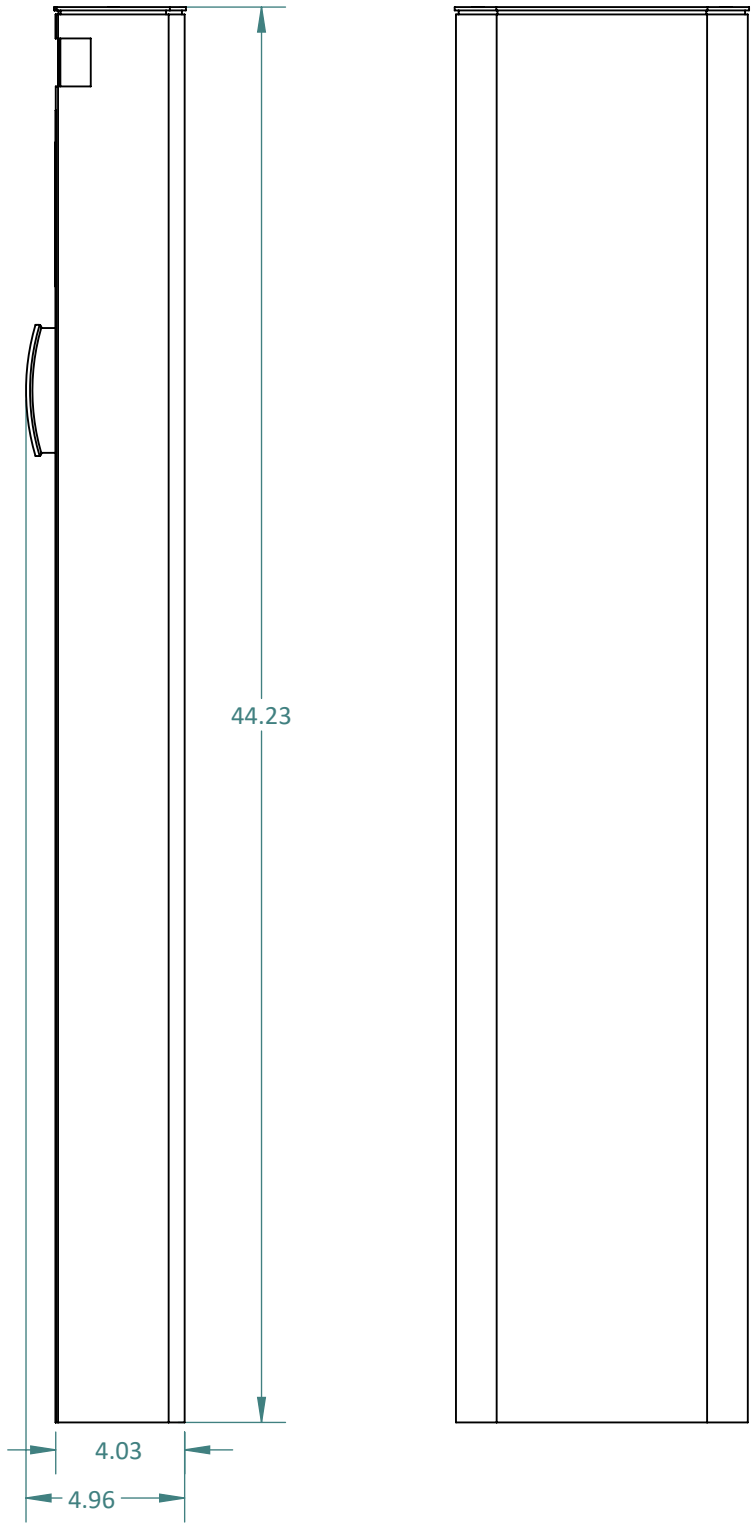
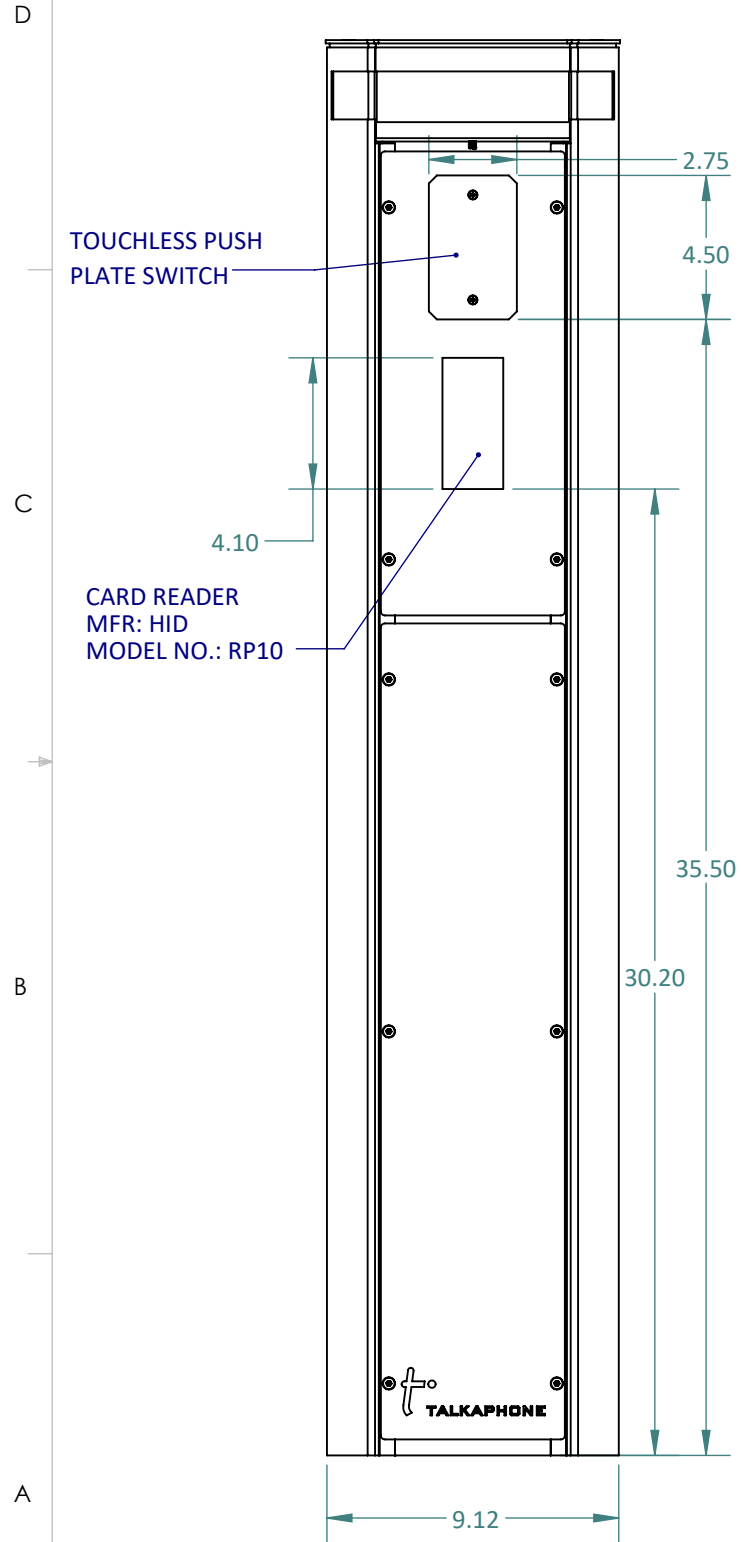


GENERAL NOTES:



1.0	03/12/2018	MARKETING RELEASE	K PATEL
REV.	DATE	DESCRIPTION	APPROVED

REVISION TABLE

UNLESS OTHERWISE SPECIFIED:		NAME	DATE
DIMENSIONS ARE IN INCHES			
TOLERANCES:			
DRILL HOLE -0.00 / +0.003			
ANGULAR: MACH ± BEND ±1°			
TWO PLACE DECIMAL ±0.01			
THREE PLACE DECIMAL ±0.005			
INTERPRET GEOMETRIC TOLERANCING PER: ASME Y14.5M-1994			
MATERIAL			
FINISH			
MODEL FILE NAME:			

t TALKAPHONE
TALK-A-PHONE, LLC
7530 N. NATCHEZ AVE., NILES, IL 60714
WWW.TALKAPHONE.COM

DO NOT SCALE DRAWING
PROPRIETARY AND CONFIDENTIAL
THE INFORMATION CONTAINED IN THIS DRAWING IS THE SOLE PROPERTY OF TALK-A-PHONE, LLC. ANY REPRODUCTION IN PART OR AS A WHOLE WITHOUT THE WRITTEN PERMISSION OF TALK-A-PHONE, LLC IS PROHIBITED.

DRAWN	K PATEL	03/12/2018
CHECKED		
ENG APPR.		
MFG APPR.		
Q.A.		
COMMENTS:		

DWG. TITLE: VIA SERIES		
SIZE B	PART NO. AC-PM-4NCS-TL	REV 1.0
SCALE: 1:12	WEIGHT:	SHEET 1 OF 1

PEDESTAL_ACCESS_SERIES_ASSY