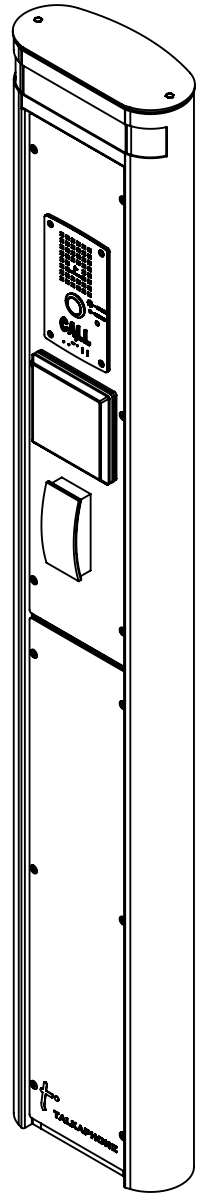
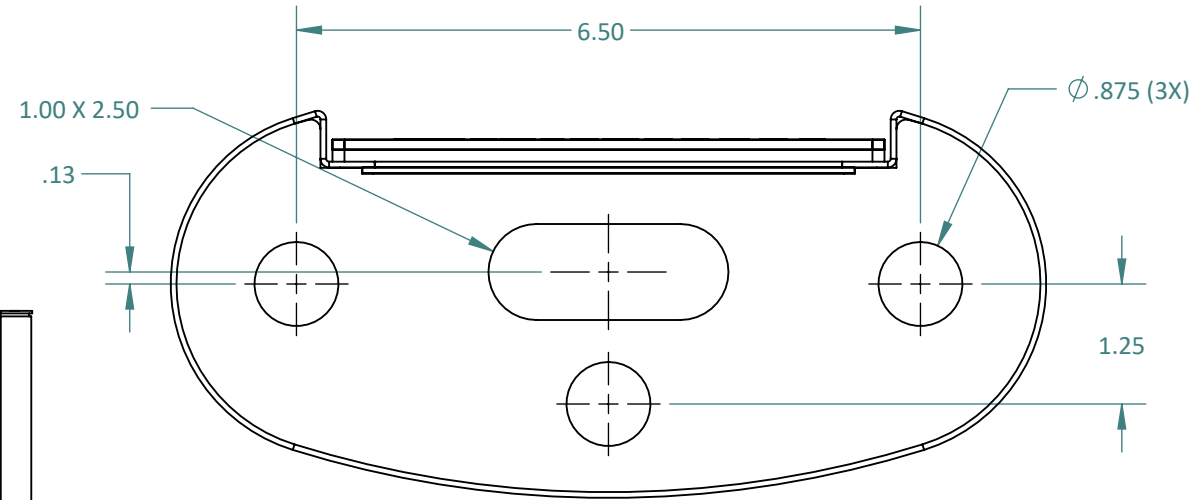
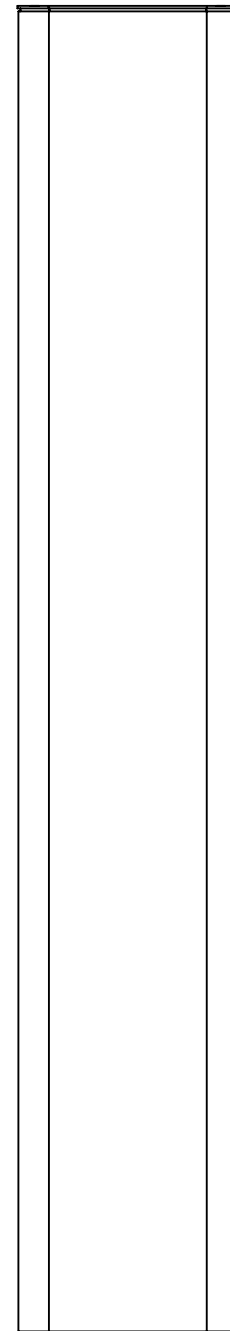
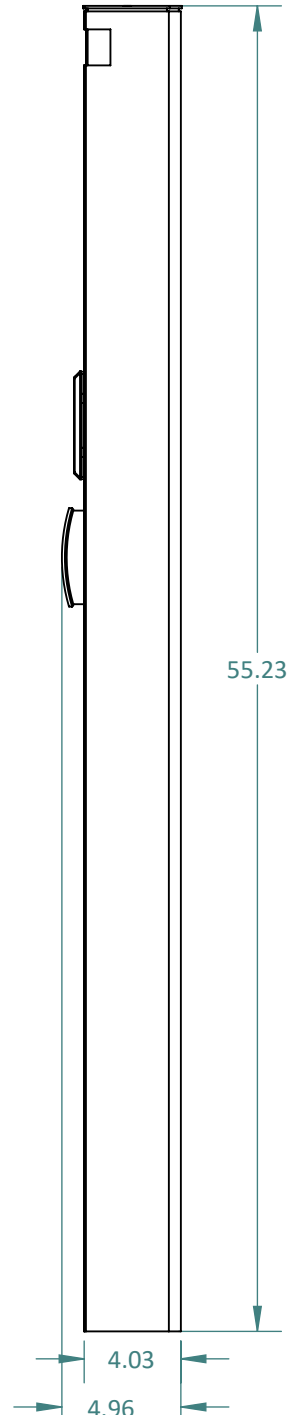
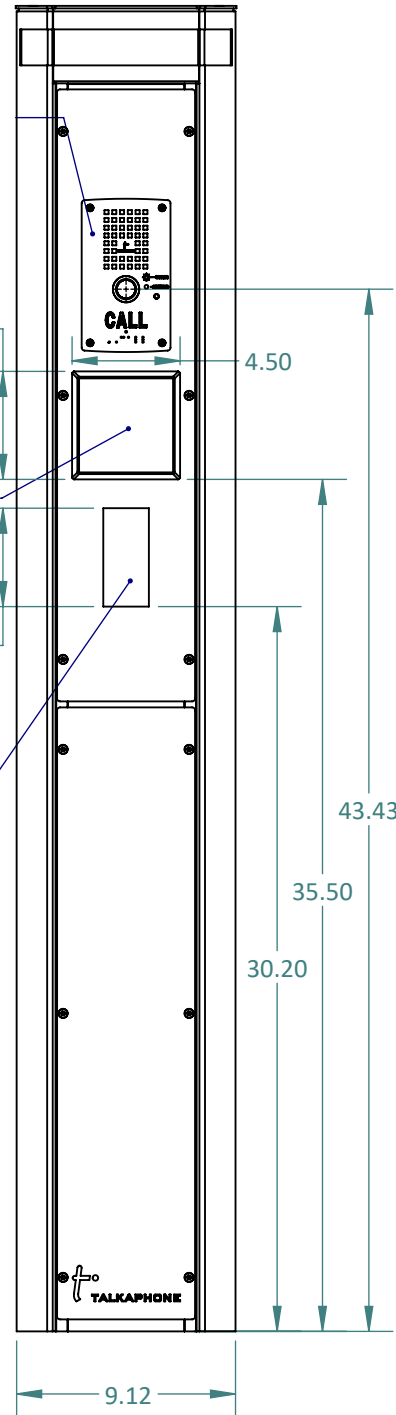


GENERAL NOTES:

CALL STATION
MODEL NO.: VOIP-200C

PUSH PLATE SWITCH

CARD READER
MFR: HID
MODEL NO.: RP10



1.0	02/22/2018	MARKETING RELEASE	K PATEL
REV.	DATE	DESCRIPTION	APPROVED

REVISION TABLE

UNLESS OTHERWISE SPECIFIED:		NAME	DATE
DIMENSIONS ARE IN INCHES			
TOLERANCES:			
DRILL HOLE -0.00 / +0.003	DRAWN	K PATEL	02/22/2018
ANGULAR: MACH ± BEND ±1°	CHECKED	C WONG	02/22/2018
TWO PLACE DECIMAL ±0.01	ENG APPR.		
THREE PLACE DECIMAL ±0.005	MFG APPR.		
INTERPRET GEOMETRIC TOLERANCING PER: ASME Y14.5M-1994	Q.A.		
MATERIAL	COMMENTS:		
FINISH			

TALKAPHONE
TALK-A-PHONE, LLC
7530 N. NATCHEZ AVE., NILES, IL 60714
WWW.TALKAPHONE.COM

DO NOT SCALE DRAWING
PROPRIETARY AND CONFIDENTIAL
THE INFORMATION CONTAINED IN THIS DRAWING IS THE SOLE PROPERTY OF TALK-A-PHONE, LLC. ANY REPRODUCTION IN PART OR AS A WHOLE WITHOUT THE WRITTEN PERMISSION OF TALK-A-PHONE, LLC IS PROHIBITED.

MODEL FILE NAME:
PEDESTAL_ACCESS_SERIES_ASSY

DWG. TITLE: AC-PM SERIES		
SIZE B	PART NO. AC-PM-4C	REV 1.0
SCALE: 1:12	WEIGHT:	SHEET 1 OF 1