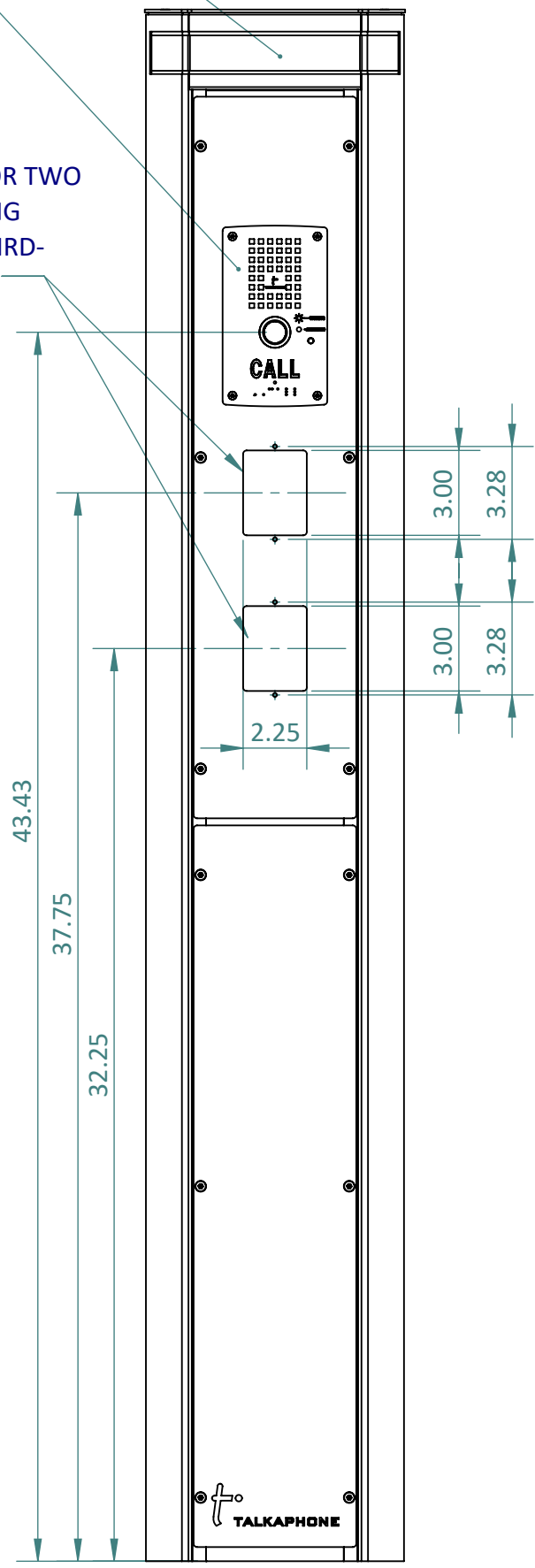


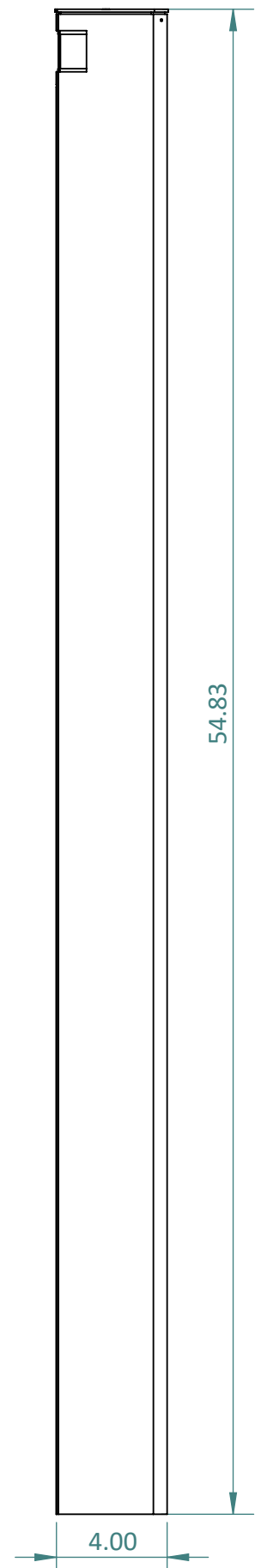
BLUE LED LIGHT BAND  
MODE: STEADY ON  
TURNS GREEN WHEN  
TRIGGERED

CALL STATION MODEL:  
VOIP-200C

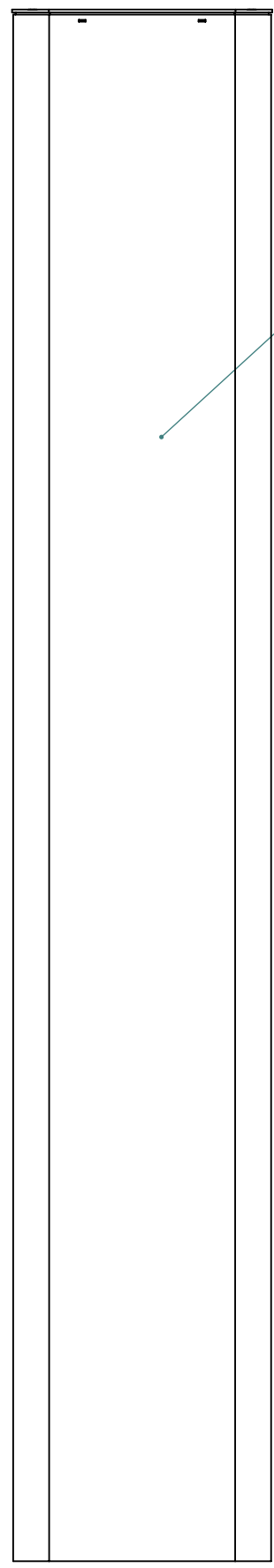
PROVISIONS FOR TWO  
(2) SINGLE-GANG  
MOUNTING THIRD-  
PARTY DEVICES



**FRONT VIEW**

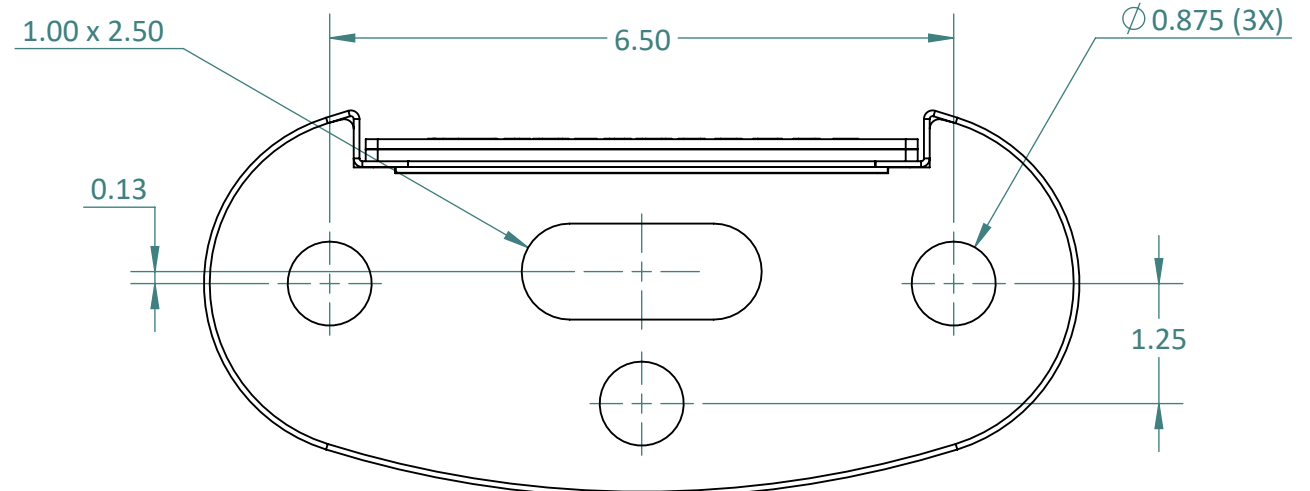


**SIDE VIEW**

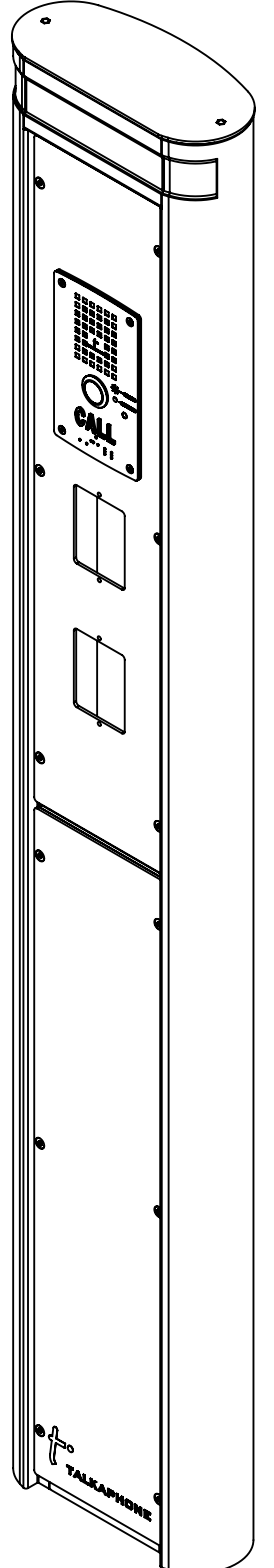


**REAR VIEW**

ENCLOSURE FINISH: BLACK



**FOOT PRINT**



**ISOMETRIC VIEW**

|   |  |  |             |
|---|--|--|-------------|
| 1.0   | MARKETING RELEASE  | 7/8/2021   | J MAHETALIA |
| REV.  | DESCRIPTION  | DATE   | APPROVED    |
| REVISIONS   |  |  |             |
|   | NAME   | DATE   |             |
| DRAWN   | J MAHETALIA  | 7/8/2021   |             |
| CHECKED   | K PATEL  | 7/8/2021   |             |
| ENG APPR.   |  |  |             |
| MFG APPR.   |  |  |             |
| Q.A.  |  |  |             |
| COMMENTS:   |  |  |             |
| <p><b>PROPRIETARY AND CONFIDENTIAL</b><br/>THE INFORMATION CONTAINED IN THIS DRAWING IS THE SOLE PROPERTY OF TALK-A-PHONE, LLC. ANY REPRODUCTION IN PART OR AS A WHOLE WITHOUT THE WRITTEN PERMISSION OF TALK-A-PHONE, LLC IS PROHIBITED.</p> |  | <p><b>TALKAPHONE</b><br/>TALK-A-PHONE, LLC<br/>7530 N. NATCHEZ AVE. NILES, IL 60714<br/>WWW.TALKAPHONE.COM</p> |             |
| SIZE  | PART NO. AC-PM-4C-OCS  | REV  |             |
| <b>C</b>  | DWG. TITLE: AC-PM WITH VOIP-200C AND TWO SINGLE GANG CUTOUTS | <b>1.0</b>   |             |
| SCALE: 1:6  | WEIGHT:  | SHEET 1 OF 1   |             |