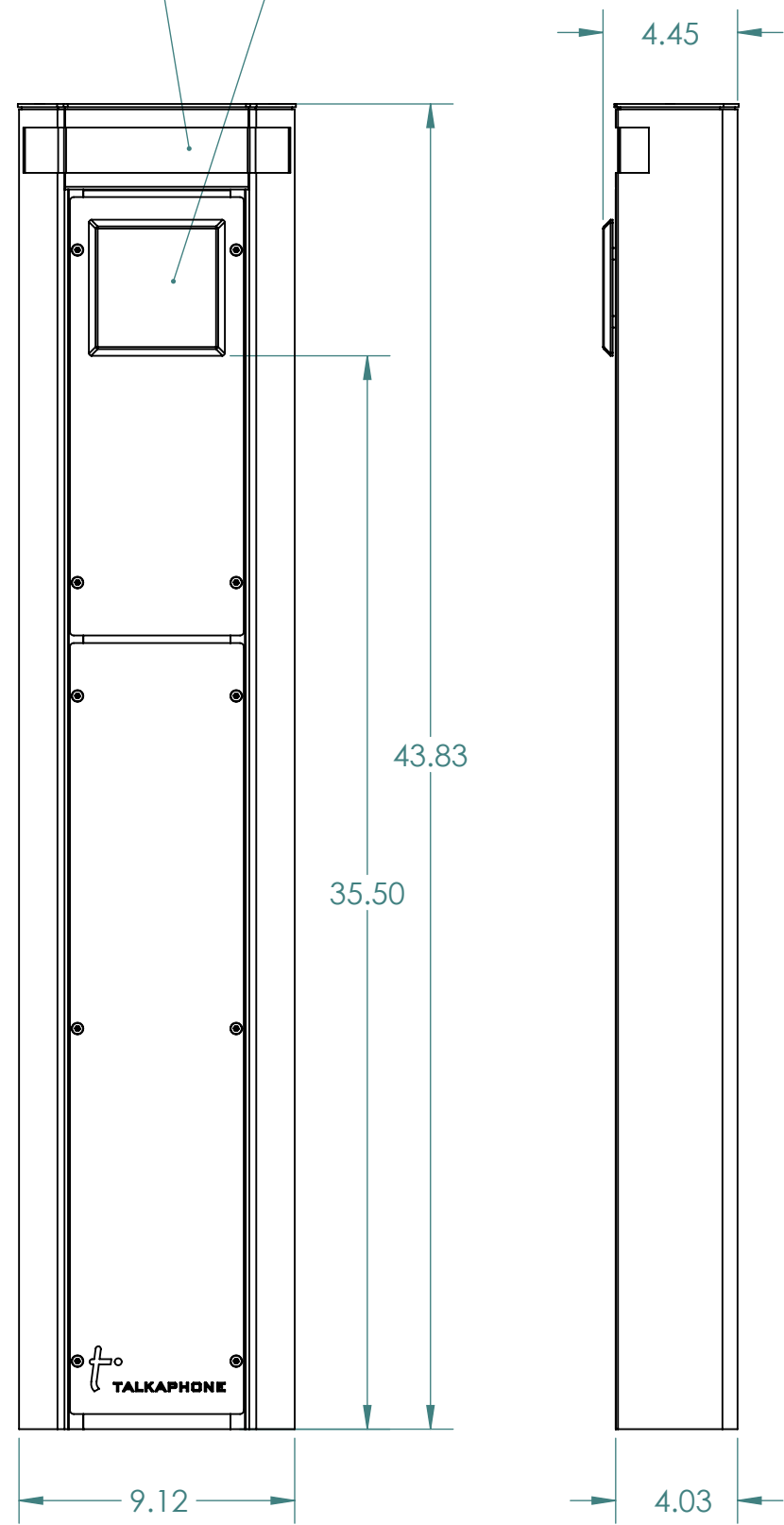


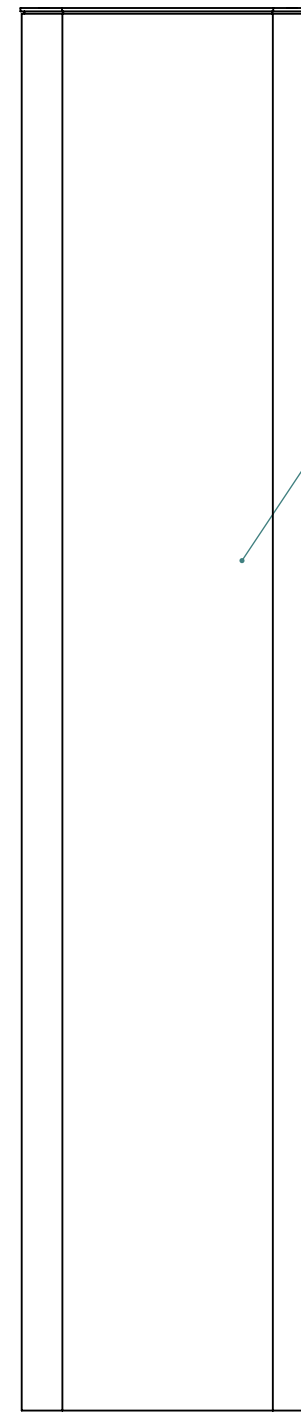
BLUE LED LIGHT BAND
MODE: STEADY ON
TURNS GREEN WHEN TRIGGERED

PUSH PLATE SWITCH



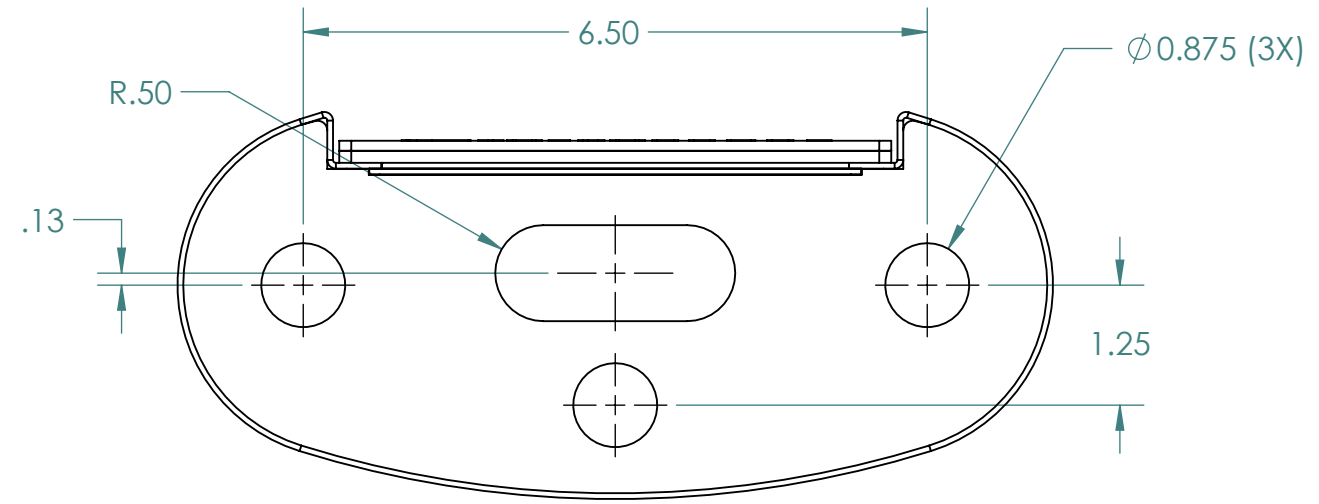
FRONT VIEW

SIDE VIEW

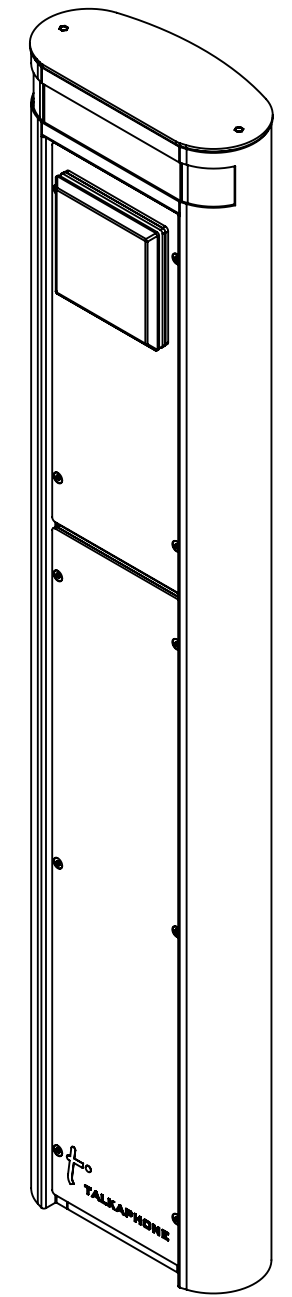


REAR VIEW


ENCLOSURE FINISH:
BLACK



FOOT PRINT



ISOMETRIC VIEW

1.0	MARKETING RELEASE	06/25/2020	J MAHETALIA
REV.	DESCRIPTION	DATE	APPROVED
REVISIONS			
	NAME	DATE	
DRAWN	J MAHETALIA	06/25/2020	
CHECKED	K PATEL	06/25/2020	
ENG APPR.			
MFG APPR.			
Q.A.			
COMMENTS:			
 TALKAPHONE TALK-A-PHONE, LLC 7530 N. NATCHEZ AVE., NILES, IL 60714 WWW.TALKAPHONE.COM			
DWG. NO.			
SIZE	PART NO.	AC-PM-3NCS	REV
C	DWG. TITLE:	AC-PM SERIES	1.0
SCALE: 1:6	WEIGHT:	SHEET 1 OF 1	

FINISH
PROPRIETARY AND CONFIDENTIAL
THE INFORMATION CONTAINED IN THIS DRAWING IS THE SOLE PROPERTY OF TALK-A-PHONE, LLC. ANY REPRODUCTION IN PART OR AS A WHOLE WITHOUT THE WRITTEN PERMISSION OF TALK-A-PHONE, LLC IS PROHIBITED.