

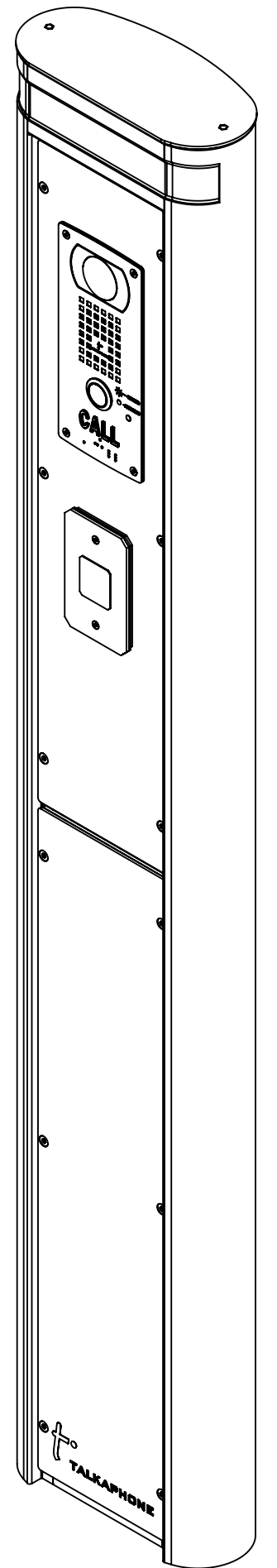
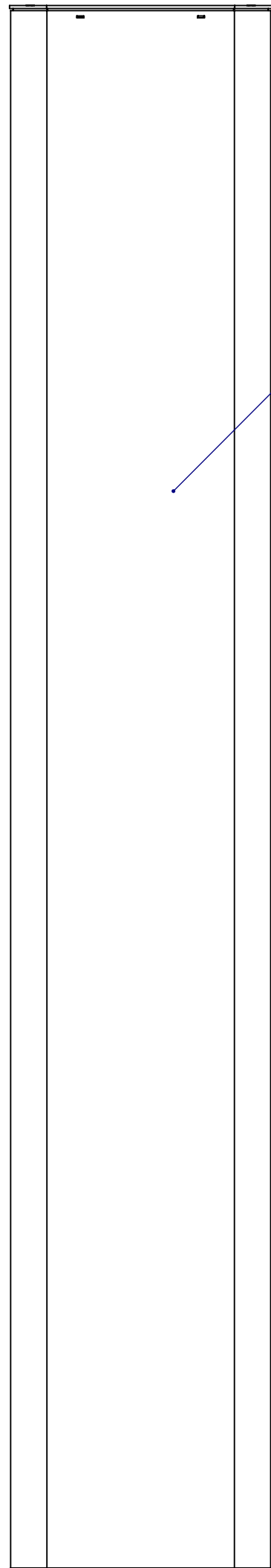
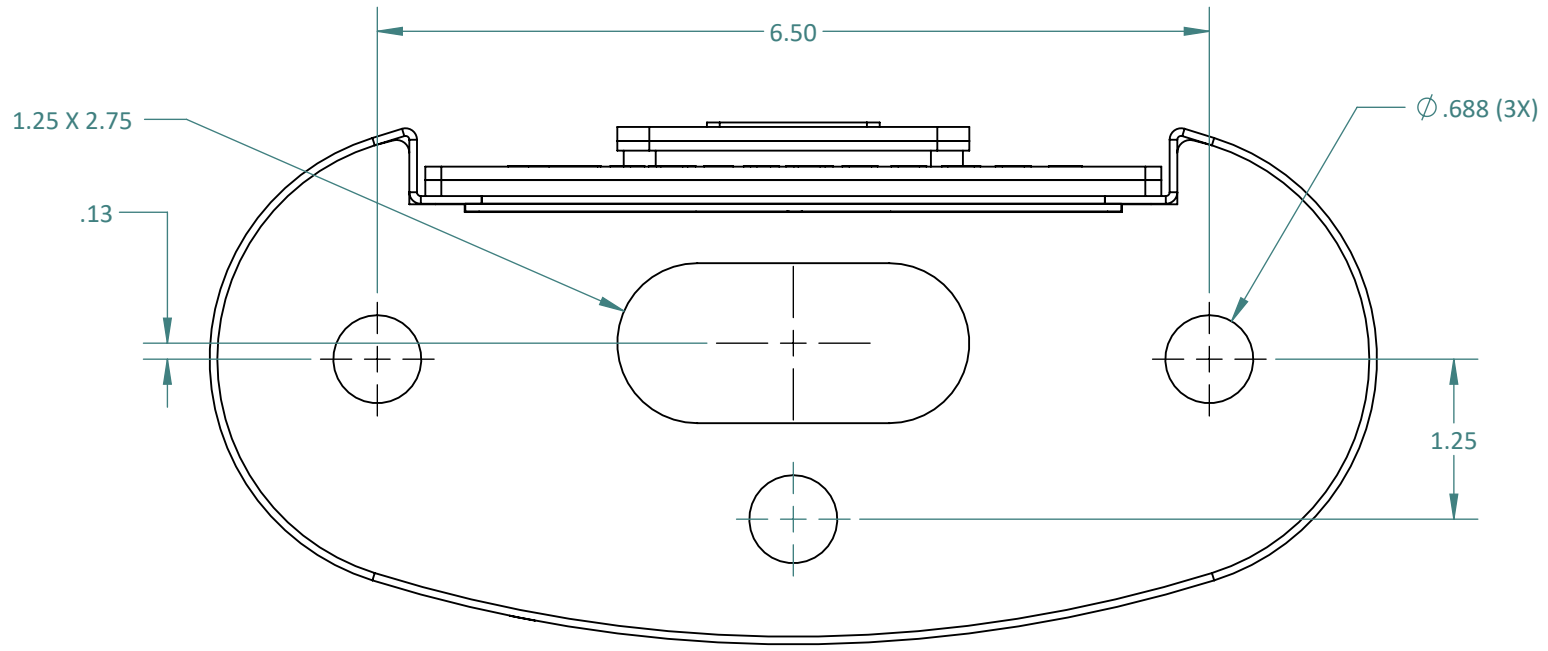
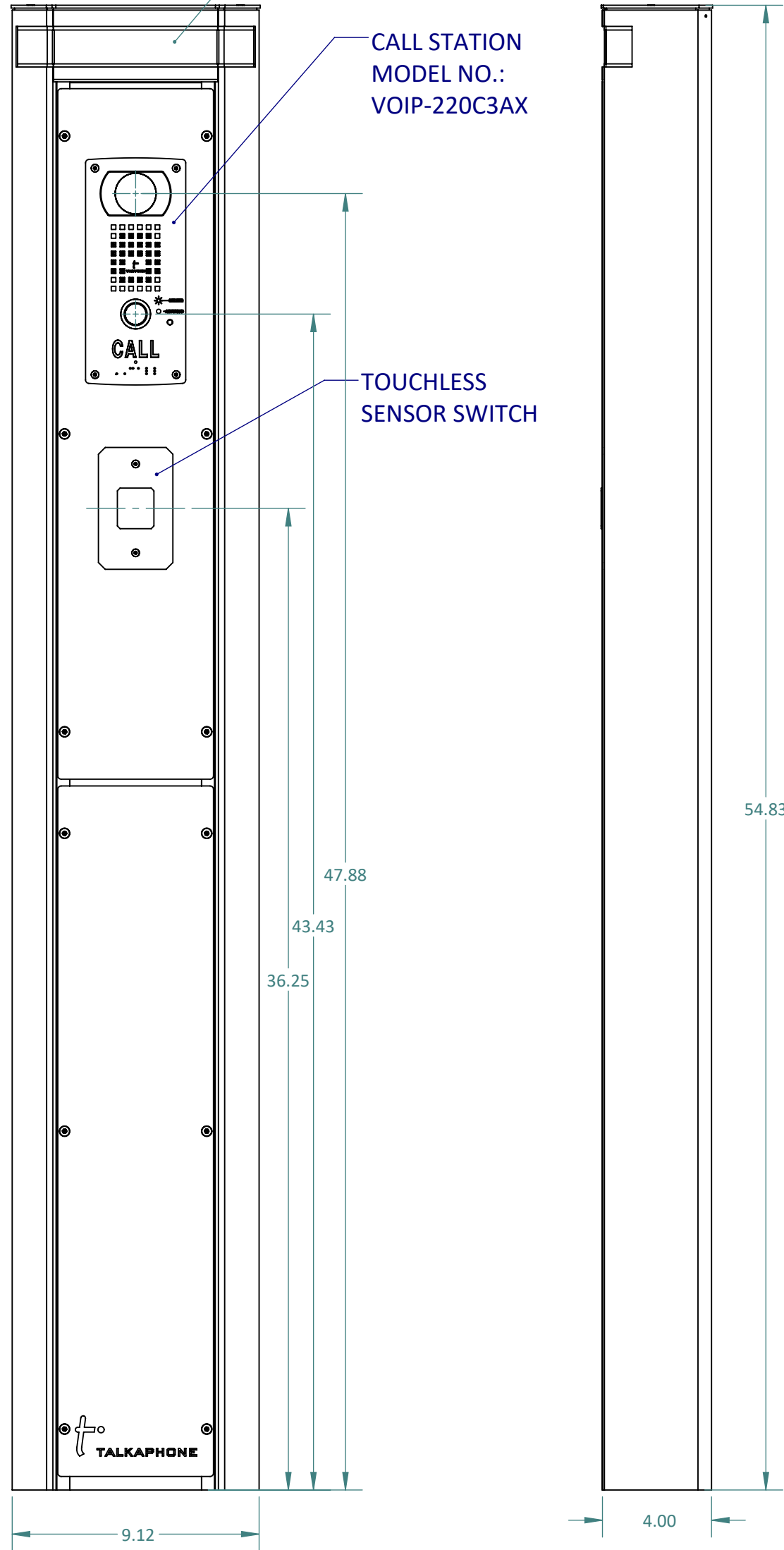
GENERAL NOTES:

BLUE LED LIGHT BAND
MODE: STEADY ON
TURNS GREEN WHEN TRIGGERED

CALL STATION
MODEL NO.:
VOIP-220C3AX

TOUCHLESS
SENSOR SWITCH

ENCLOSURE FINISH: BLACK



REV.	DATE	DESCRIPTION	APPROVED
1.0	10/09/2023	MARKETING RELEASE	K PATEL

REVISION TABLE			
REV.	DATE	NAME	DATE
		K PATEL	10/9/2023

UNLESS OTHERWISE SPECIFIED: DIMENSIONS ARE IN INCHES TOLERANCES: DRILL HOLE: -0.00 / +0.003 ANGULAR: MACH ± 1° BEND ± 1° TWO PLACE DECIMAL ± 0.01 THREE PLACE DECIMAL ± 0.005	INTERPRET GEOMETRIC TOLERANCING PER: ASME Y14.5-2009	Q.A.	TALKAPHONE TALK-A-PHONE, LLC 7530 N. NATCHEZ AVE., NILES, IL 60714 WWW.TALKAPHONE.COM
DO NOT SCALE DRAWING PROPRIETARY AND CONFIDENTIAL THE INFORMATION CONTAINED IN THIS DRAWING IS THE SOLE PROPERTY OF TALK-A-PHONE, LLC. ANY REPRODUCTION IN PART OR AS A WHOLE WITHOUT THE WRITTEN PERMISSION OF TALK-A-PHONE, LLC IS PROHIBITED.	MATERIAL:	Q.A.	
FINISH:	MODEL FILE NAME: PEDESTAL_ACCESS_SERIES_ASSY	Q.A.	
DESCRIPTION: AC-PM SERIES, VOIP-220C3AX AND TL SENSOR SWITCH			

SIZE: C PART NO.: AC-PM-3C3AX-TL SCALE: 1:12 WEIGHT:	REV: 1.0 SHEET 1 OF 1
---------------------------------------------------------------	--------------------------