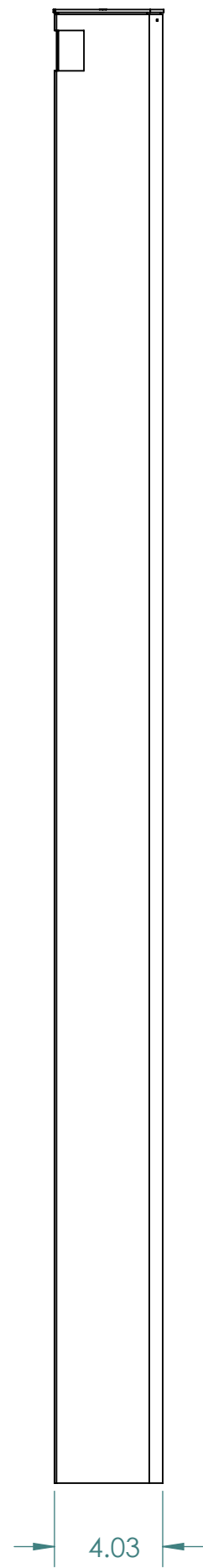
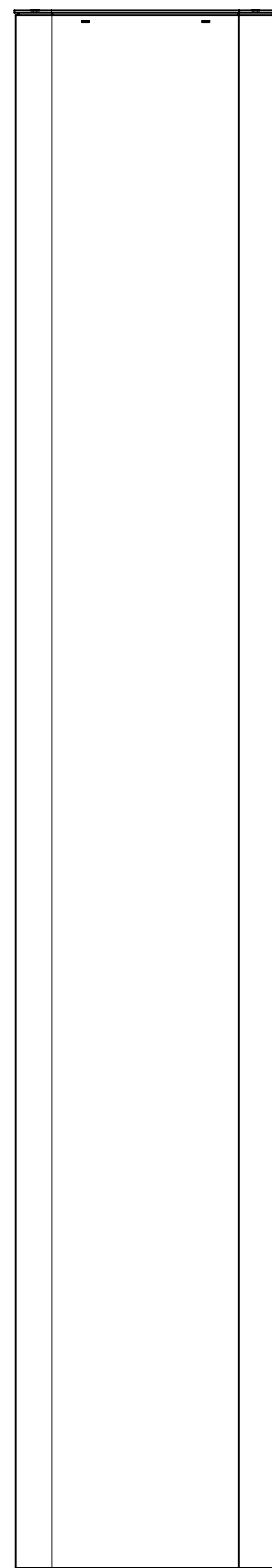


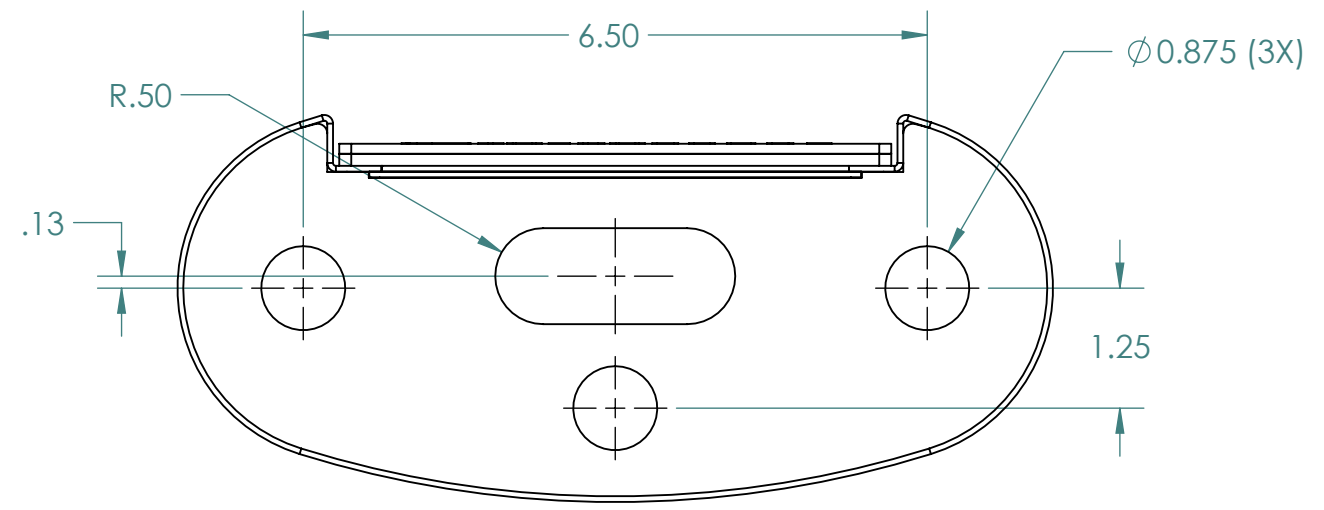
FRONT VIEW



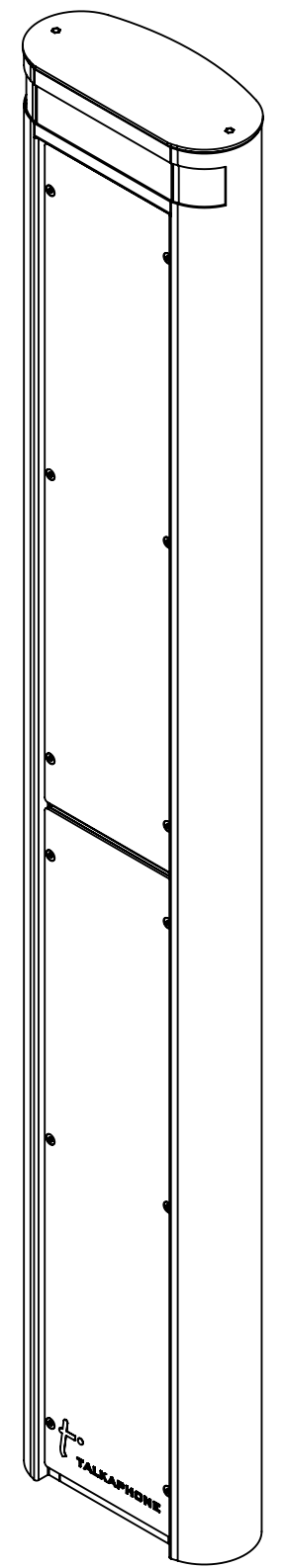
SIDE VIEW



REAR VIEW




FOOT PRINT



ISOMETRIC VIEW

1.0	MARKETING RELEASE	01/29/2020	J MAHETALIA
REV.	DESCRIPTION	DATE	APPROVED
REVISIONS			
	NAME	DATE	
DRAWN	J MAHETALIA	01/29/2020	
CHECKED	K PATEL	01/29/2020	
ENG APPR.			
MFG APPR.			
Q.A.			
COMMENTS:			



TALKAPHONE
TALK-A-PHONE, LLC
7530 N. NATCHEZ AVE., NILES, IL 60714
WWW.TALKAPHONE.COM

SIZE	PART NO.	AC-PM-1FPNCS	REV
C	DWG. TITLE:	VIA SERIES PEDESTAL WITH NO CALL STATION	1.0
SCALE: 1:8	WEIGHT:		SHEET 1 OF 1

FINISH
THE INFORMATION CONTAINED IN THIS DRAWING IS THE SOLE PROPERTY OF TALK-A-PHONE, LLC. ANY REPRODUCTION IN PART OR AS A WHOLE WITHOUT THE WRITTEN PERMISSION OF TALK-A-PHONE, LLC IS PROHIBITED.