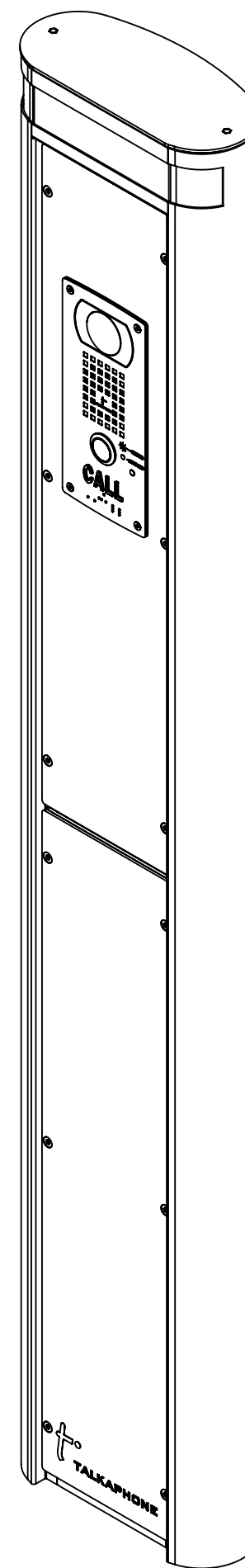
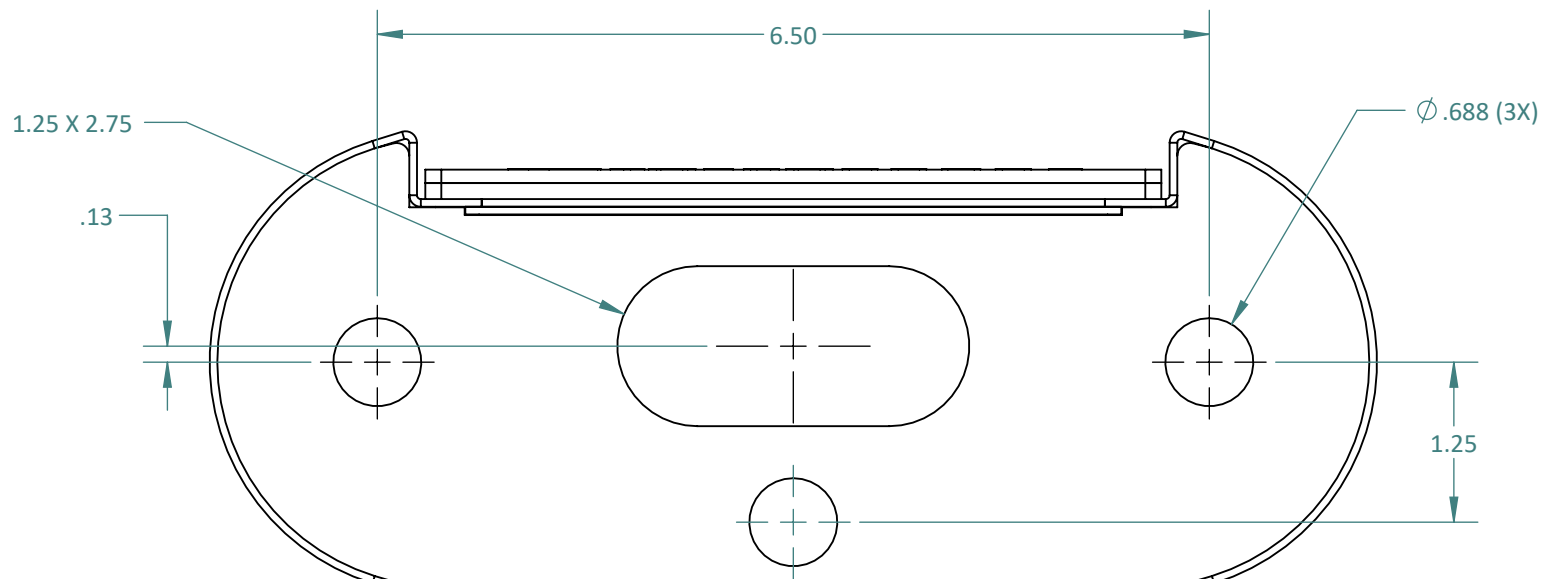
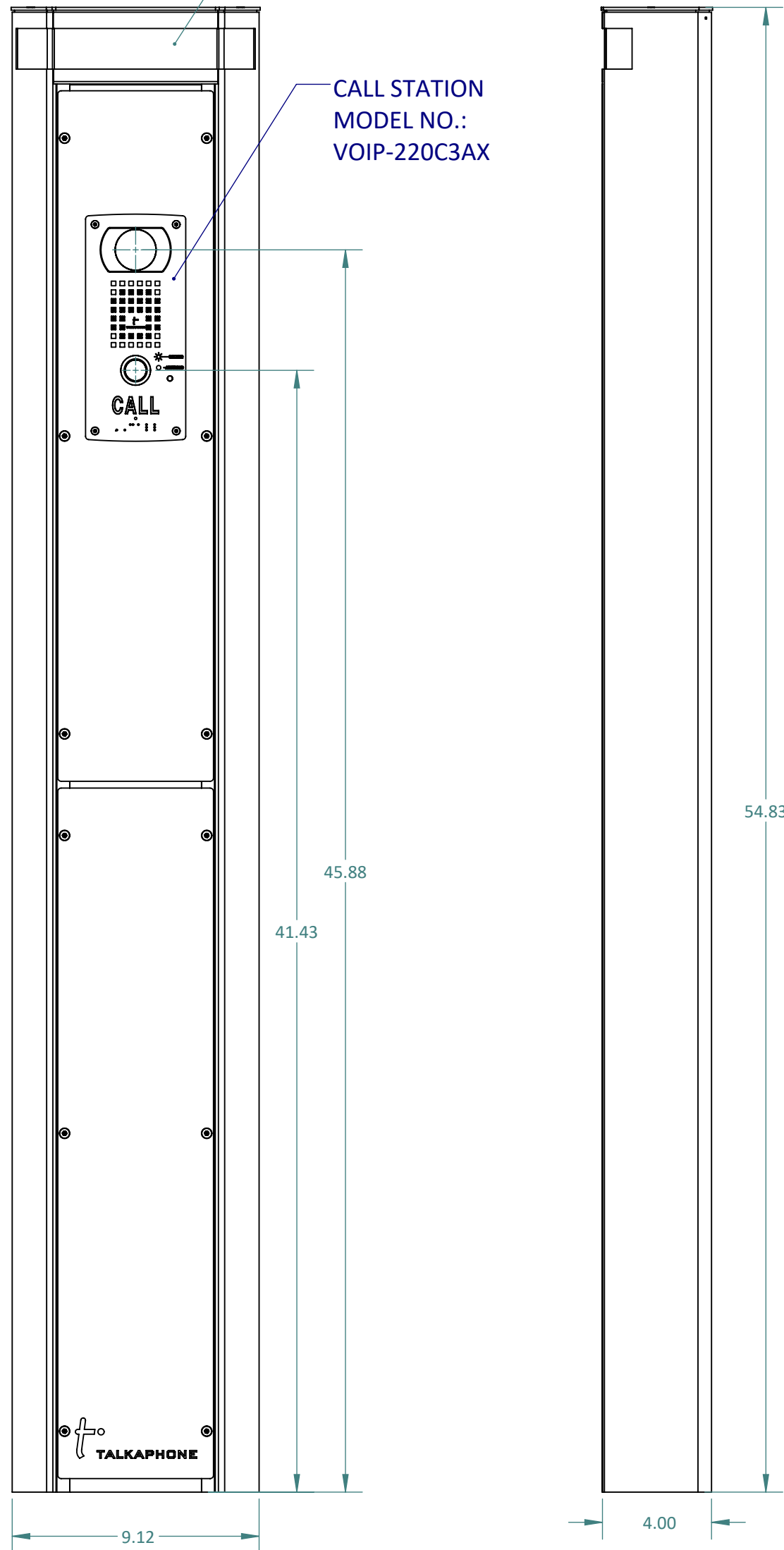


**GENERAL NOTES:**

BLUE LED LIGHT BAND  
MODE: STEADY ON  
TURNS GREEN WHEN TRIGGERED

CALL STATION  
MODEL NO.:  
VOIP-220C3AX

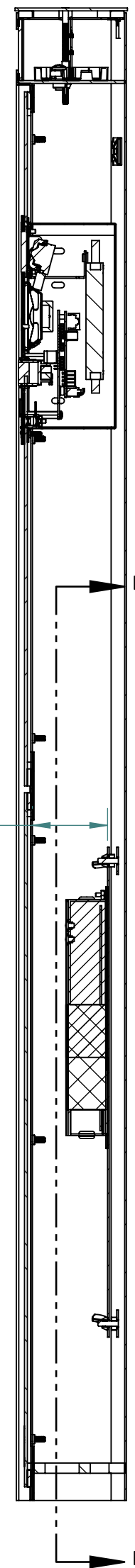
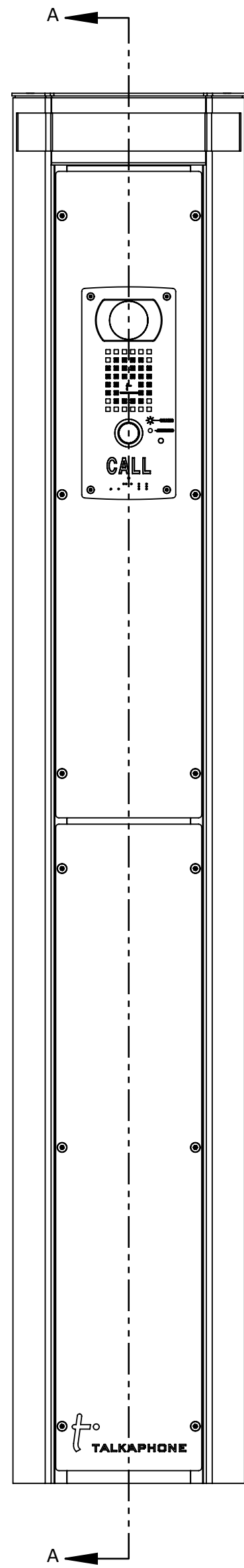
ENCLOSURE FINISH: BLACK



1.0	06/28/2023	MARKETING RELEASE	K PATEL
REV.	DATE	DESCRIPTION	APPROVED
<b>REVISION TABLE</b>			
UNLESS OTHERWISE SPECIFIED:			
DIMENSIONS ARE IN INCHES	DRAWN	NAME	DATE
TOLERANCES:		K PATEL	6/28/2023
DRILL HOLE -0.00 / +0.003	CHECKED		
ANGULAR: MACH ± 1° BEND ± 1°	ENG APPR.		
TWO PLACE DECIMAL ±0.01	MFG APPR.		
THREE PLACE DECIMAL ±0.005			
INTERPRET GEOMETRIC TOLERANCING PER: ASME Y14.5-2009	Q.A.		
 TALKAPHONE TALK-A-PHONE, LLC 7530 N. NATCHEZ AVE., NILES, IL 60714 WWW.TALKAPHONE.COM			
DESCRIPTION			
AC-PM SERIES MOUNT			REV
SIZE	PART NO.	1.0	
C AC-PM-1C3AX			
SCALE: 1:12	WEIGHT:	SHEET 1 OF 2	

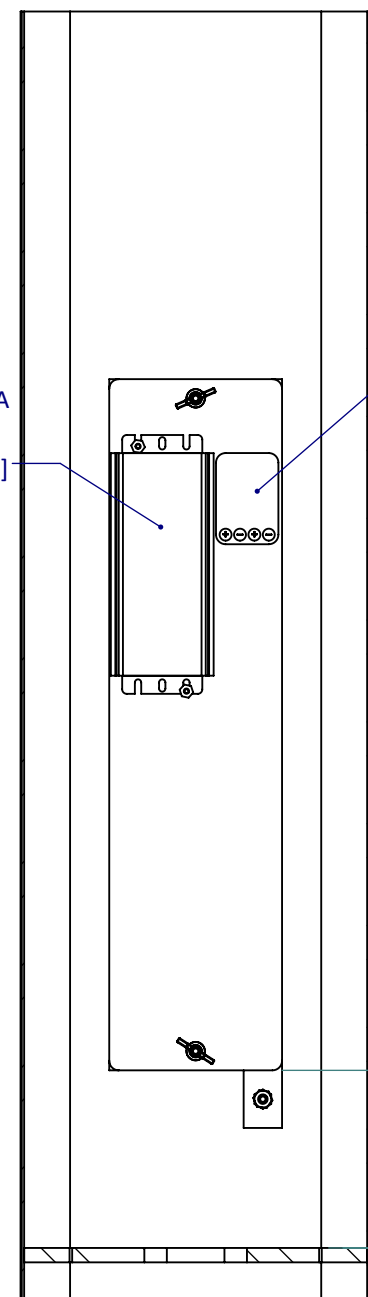
DO NOT SCALE DRAWING  
PROPRIETARY AND CONFIDENTIAL  
THE INFORMATION CONTAINED IN THIS DRAWING IS THE SOLE PROPERTY OF TALK-A-PHONE, LLC. ANY REPRODUCTION IN PART OR AS A WHOLE WITHOUT THE WRITTEN PERMISSION OF TALK-A-PHONE, LLC IS PROHIBITED.

FINISH  
MODEL FILE NAME:  
PEDESTAL\_ACCESS\_SERIES\_ASSY



2.76  
MAX  
PANEL  
DEPTH

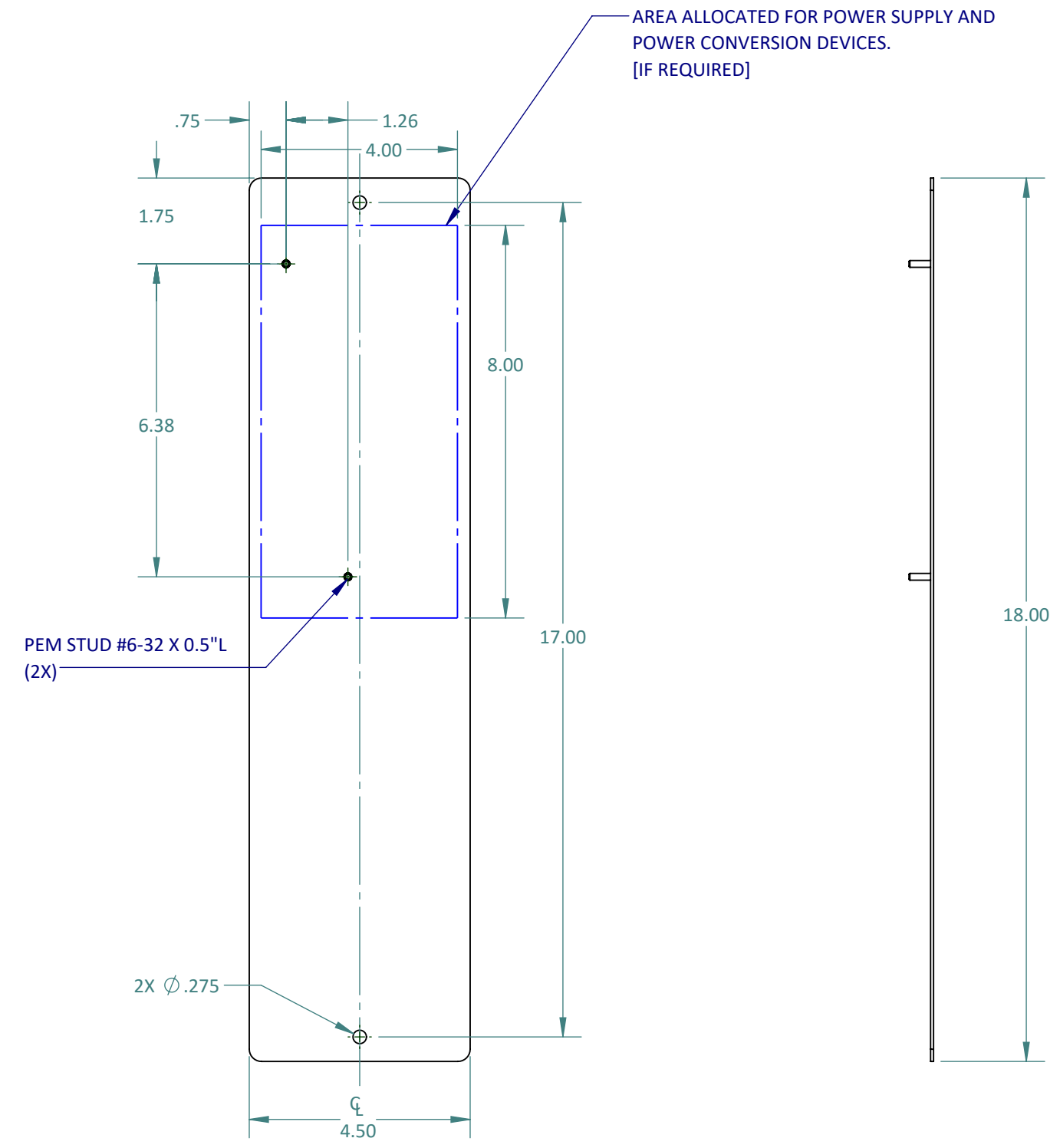
SECTION A-A  
SCALE 1 : 5



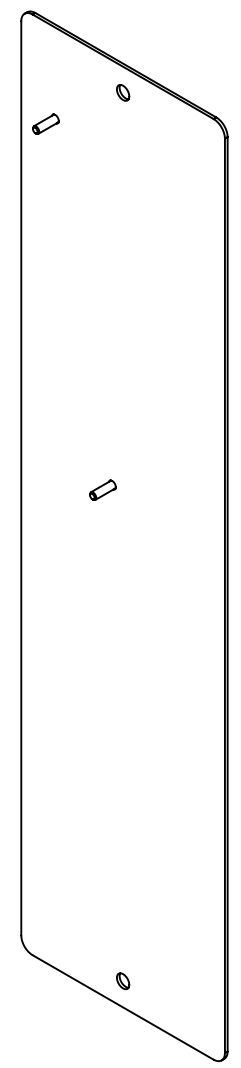
POWER SUPPLY  
MEANWELL HLG-60H-24A  
120VAC TO 24VDC  
[OPTIONAL, IF REQUIRED]

POWER CONVERSION MODULE  
24VAC/VDC TO 12VDC, 1A  
[OPTIONAL, IF REQUIRED]

SECTION B-B  
SCALE 1 : 5



PANEL AREA



DO NOT SCALE DRAWING  
PROPRIETARY AND CONFIDENTIAL  
THE INFORMATION CONTAINED IN THIS DRAWING IS THE SOLE PROPERTY OF TALK-A-PHONE, LLC. ANY REPRODUCTION IN PART OR AS A WHOLE WITHOUT THE WRITTEN PERMISSION OF TALK-A-PHONE, LLC IS PROHIBITED.

UNLESS OTHERWISE SPECIFIED: DIMENSIONS ARE IN INCHES TOLERANCES: DRILL HOLE -0.00 / +0.003 ANGULAR: MACH ± 1° BEND ± 1° TWO PLACE DECIMAL ± 0.01 THREE PLACE DECIMAL ± 0.005	DRAWN K. PATEL	NAME K. PATEL	DATE 6/28/2023
INTERPRET GEOMETRIC TOLERANCING PER: ASME Y14.5-2009	CHECKED	ENG APPR.	MFG APPR.
MATERIAL	FINISH	MODEL FILE NAME: MNTG_PANEL	Q.A.

 TALKAPHONE TALK-A-PHONE, LLC 7530 N. NATCHEZ AVE., NILES, IL 60714 WWW.TALKAPHONE.COM		
DESCRIPTION		
AC-PM SERIES MOUNT		
SIZE	PART NO.	REV
C	AC-PM-1C3AX	1.0
SCALE: 1:12	WEIGHT:	SHEET 2 OF 2