

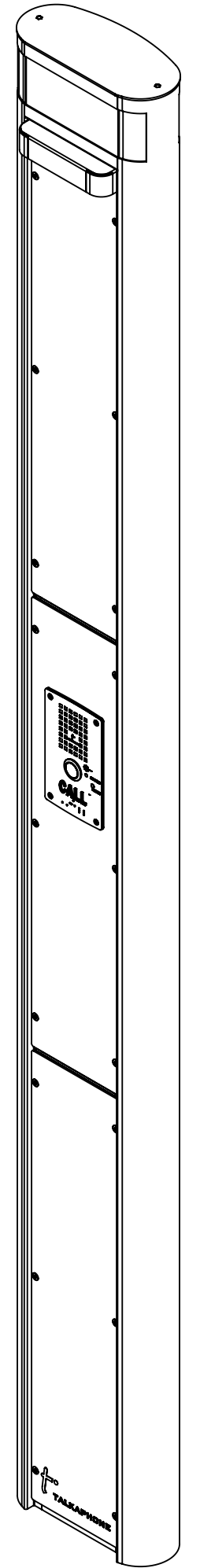
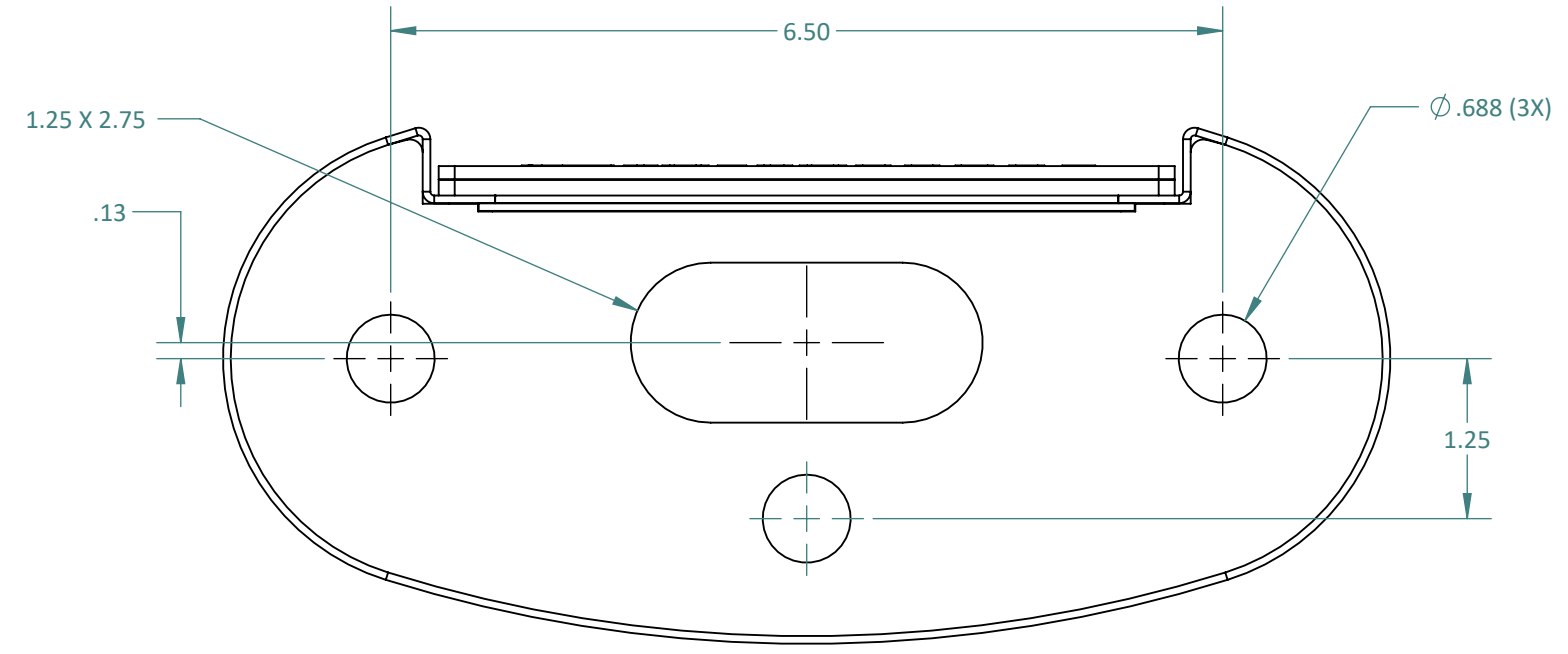
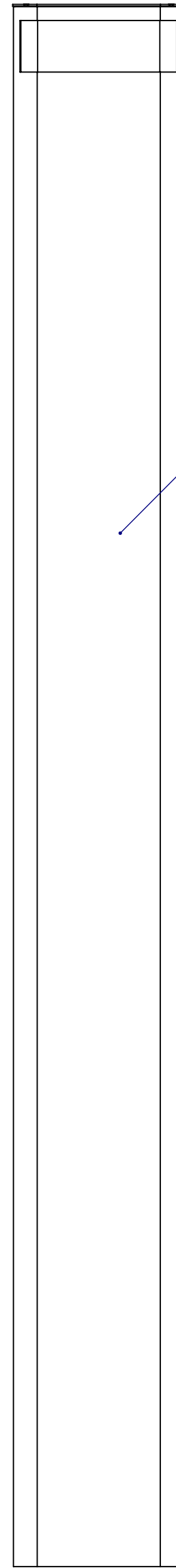
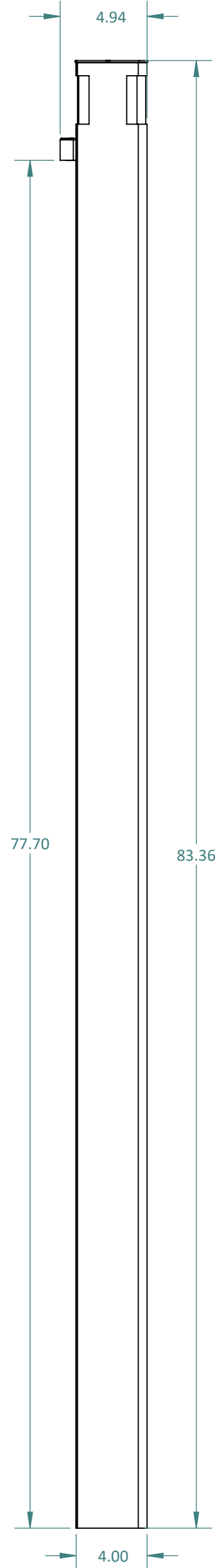
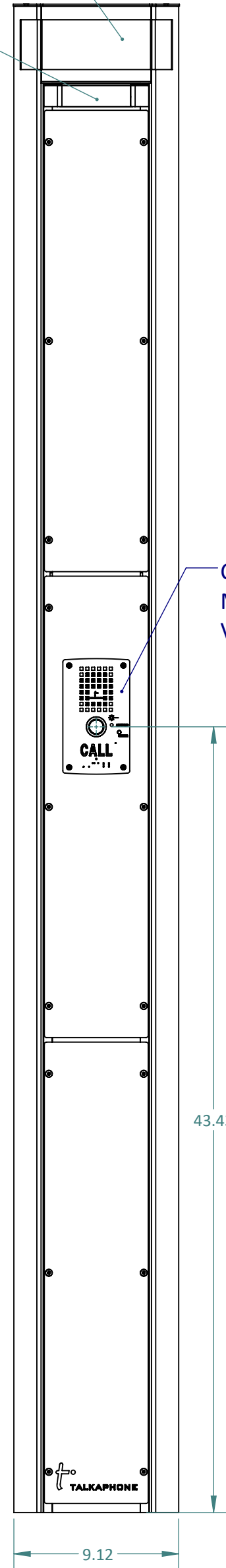
**GENERAL NOTES:**

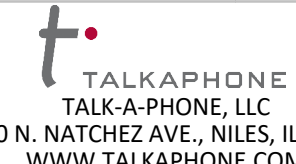
BLUE LED LIGHT BAND  
MODE: STEADY ON  
FLASHES WHEN TRIGGERED

LED PANEL LIGHT

CALL STATION  
MODEL NO.:  
VOIP-220C

ENCLOSURE FINISH: BLACK



1.0	03/12/2018	MARKETING RELEASE	K PATEL
REV.	DATE	DESCRIPTION	APPROVED
<b>REVISION TABLE</b>			
UNLESS OTHERWISE SPECIFIED:			
DIMENSIONS ARE IN INCHES	DRAWN	NAME	DATE
TOLERANCES:		K PATEL	6/14/2023
DRILL HOLE -0.00 / +0.003	CHECKED		
ANGULAR: MACH ± 1° BEND ± 1°	ENG APPR.		
TWO PLACE DECIMAL ± 0.01	MFG APPR.		
THREE PLACE DECIMAL ± 0.005			
INTERPRET GEOMETRIC TOLERANCING PER: ASME Y14.5-2009	Q.A.		
MATERIAL:		 TALKAPHONE TALK-A-PHONE, LLC 7530 N. NATCHEZ AVE., NILES, IL 60714 WWW.TALKAPHONE.COM	
FINISH:			
MODEL FILE NAME:		DESCRIPTION	
PEDESTAL_ACCESS_SERIES_ASSY		AC-MT SERIES MOUNT	
		SIZE	PART NO.
		C	AC-MT-1C
		SCALE: 1:12	WEIGHT:
		REV 1.0	
		SHEET 1 OF 2	

DO NOT SCALE DRAWING  
**PROPRIETARY AND CONFIDENTIAL**  
 THE INFORMATION CONTAINED IN THIS DRAWING IS THE SOLE PROPERTY OF TALK-A-PHONE, LLC. ANY REPRODUCTION IN PART OR AS A WHOLE WITHOUT THE WRITTEN PERMISSION OF TALK-A-PHONE, LLC IS PROHIBITED.

